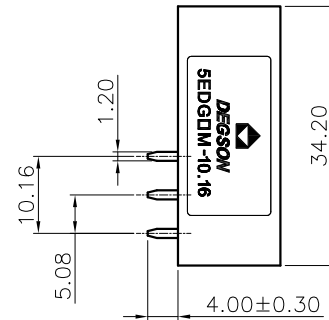
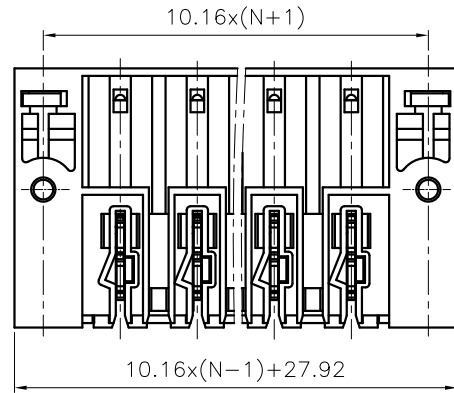
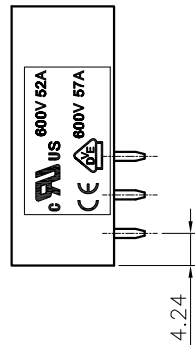
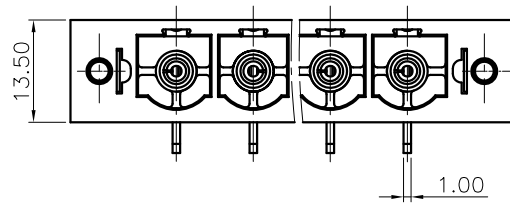


REVISION RECORD				
REV	ECN	DESCRIPTION	DRFT	DATE



NOTES1:

- UL Standard
- 1. Rated voltage/current : 600V / 52A
- 2. Withstanding voltage : AC2200V/1Min.

IEC Standard

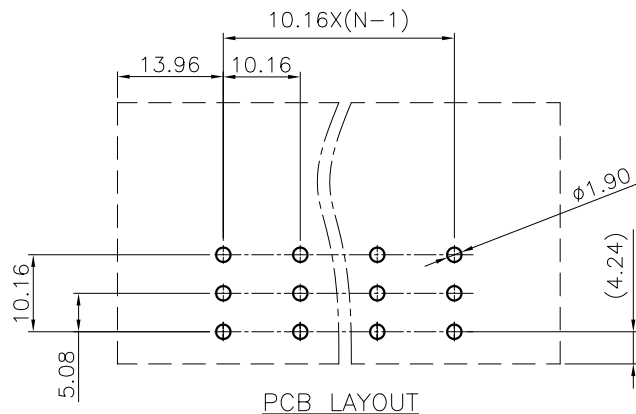
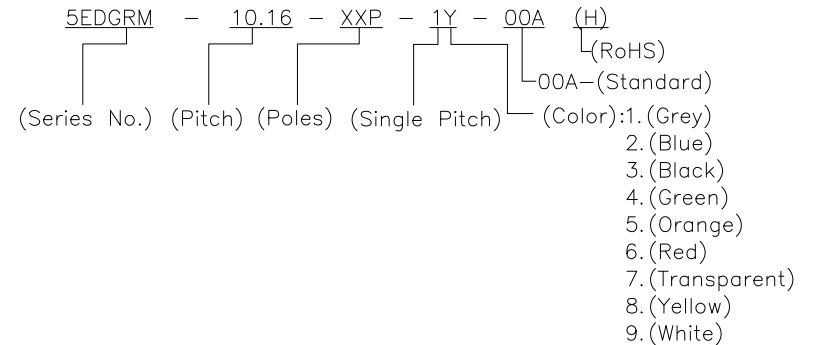
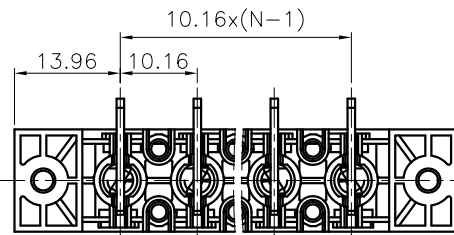
1. Pollution Degree	3
Overvoltage Category	III
Rate Impulse Voltage(KV)	6.0KV
Rate Voltage(V)	600V
Rate Current(A)	57A

NOTES2:

- 1. Dimension shall be interpreted per ASME Y14.5-2009
- 2. Pitch : 10.16mm, Poles : N=02~08P
- 3. Operating temperature: -40°C~+105°C
- 4. Undimensioned tolerances:

Pitch range in mm		Nominal dimension in mm		Nominal dimension range		□	∠
TO	Over TO	TO	Over TO	TO	Over TO	0.1/10	≤
6	6 TO 10	10	10 TO 24	30	30 TO 60	±0.15	±0.20
				60	60 TO 100	±0.30	±0.30
				100	100 TO 150	±0.50	±0.70
				150	150 TO 150	±1.00	±1.30

5. RoHS Compliance



DETACHED LISTS	PART NO.:	/			
	APPD:	/			
	CHKD:	/			
	DRFT:	/			
	THIRD ANGLE PROJECTION		DRAWING NO.:		/
		NAME:		NINGBO DEGSON ELECTRICAL CO., LTD	
		TITLE:		CUSTOMER DRAWING	
		REV		DO	
		SHEET		1/1	
		SCALE		1:1	