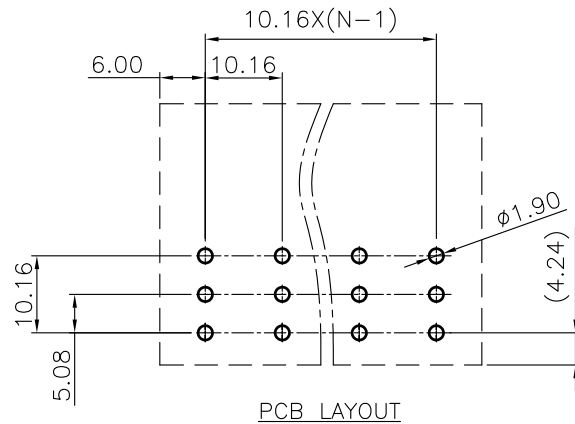
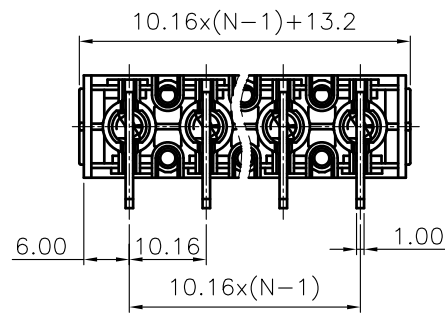
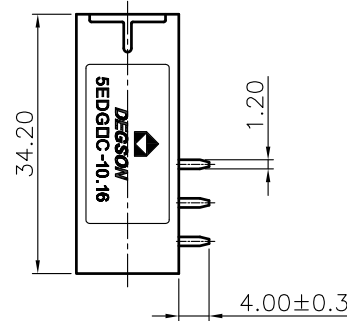
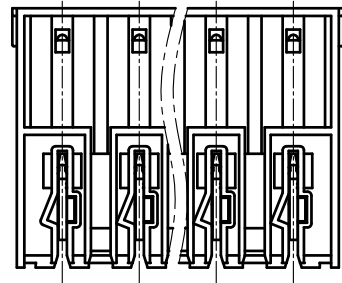
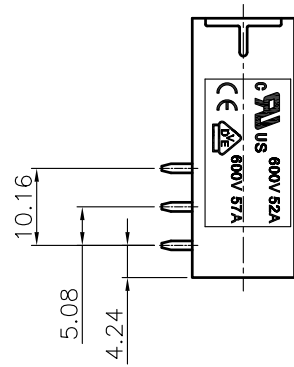
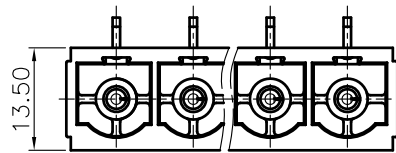


REVISION RECORD				
REV	ECN	DESCRIPTION	DRFT	DATE



NOTES1:

- UL Standard
- 1. Rated voltage/current : 600V / 52A
- 2. Withstanding voltage : AC2200V/1Min.

IEC Standard

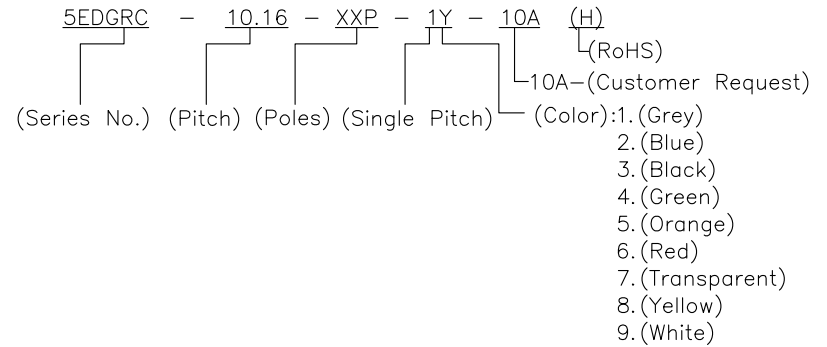
1. Pollution Degree	3
Overvoltage Category	III
Rate Impulse Voltage(KV)	6.0KV
Rate Voltage(V)	600V
Rate Current(A)	57A

NOTES2:

- 1. Dimension shall be interpreted per ASME Y14.5-2009
- 2. Pitch : 10.16mm, Poles : N=02~08P
- 3. Operating temperature:-40°C~+105°C
- 4. Undimensioned tolerances:

Pitch range in mm	Nominal dimension range in mm					Tolerance		
	Over 6 TO 10	Over 10 TO 24	Over 30 TO 60	Over 60 TO 100	Over 100 TO 150			
±0.15	±0.20	±0.30	±0.30	±0.50	±0.70	±1.00	±1.30	±2°

5. RoHS Compliance



DETACHED LISTS	PART NO.:	/			
	APPD:	/			
	CHKD:	/			
	DRFT:	/			
	THIRD ANGLE PROJECTION		DRAWING NO.:		/
		NAME:		NINGBO DEGSON ELECTRICAL CO., LTD	
		TITLE:		CUSTOMER DRAWING	
		DO NOT SCALE DRAWING		REV	DO
		SCALE		1/1	1:1