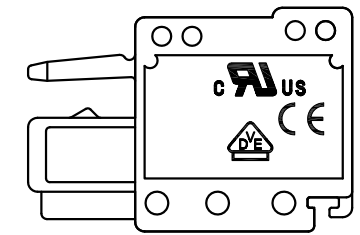
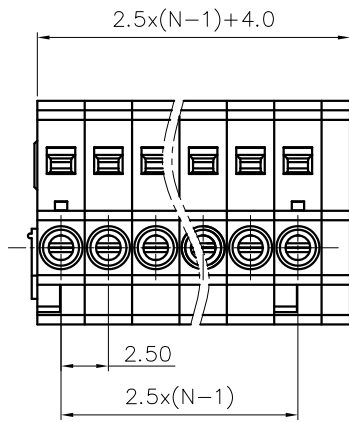
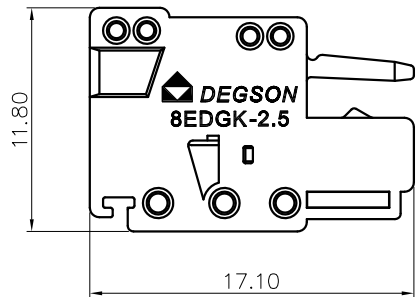
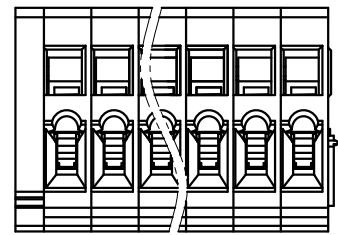
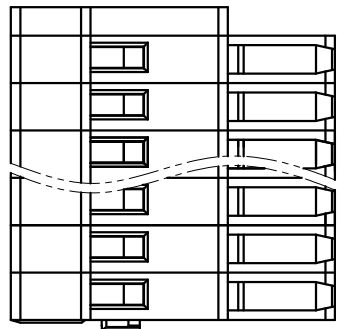
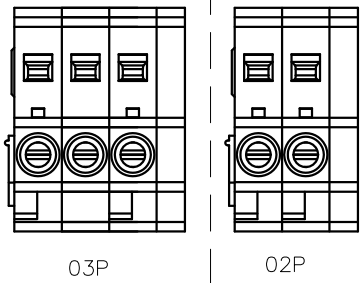


REVISION RECORD				
REV	ECN	DESCRIPTION	DRFT	DATE



NOTES1:

- UL Standard
- 1.Rated voltage/current : 150V / 4A
- 2.Withstanding voltage : AC1300V/1Min.
- 3.Wire range : 28~20AWG

IEC Standard

1. Pollution Degree	3
Overvoltage Category	III
Rate Impulse Voltage(KV)	2.5KV
Rate Voltage(V)	130V
Rate Current(A)	6A

2.Wire range : 0.2~0.5mm²

NOTES2:

- 1.Dimension shall be interpreted per ASME Y14.5-2009
- 2.Pitch : 2.50mm, Poles : N=02~24P
- 3.Stripping length : 5~6mm
- 4.Operating temperature: -40°C~+105°C
- 5.Undimensioned tolerances:

Pitch range in mm		Nominal dimension range in mm					0.1/10
To	Over	To	Over	To	Over	To	
6	10	6	30	60	100	150	±0.15
10	24	10	60	100	150	1.30	±0.20
24	30	30	60	100	150	1.30	±0.30
30	60	60	100	150	1.30	1.30	±0.50
60	100	100	150	1.30	1.30	1.30	±0.70
100	150	150	1.30	1.30	1.30	1.30	±1.00
150	1.30	1.30	1.30	1.30	1.30	1.30	±1.30

6.RoHS Compliance

8EDGK - 2.5 - XXP - 1Y - 00A (H)

(Series No.) (Pitch) (Poles) (Single Pitch) (Color):1.(Grey)
 2.(Blue)
 3.(Black)
 4.(Green)
 5.(Orange)
 6.(Red)
 7.(Transparent)
 8.(Yellow)
 9.(White)

00A-(Standard)
 (RoHS)

DETACHED LISTS	PART NO.:	NINGBO DEGSON ELECTRICAL CO., LTD			
	APPD:	NAME: 8EDGK-2.5-XXP-1Y-00A(H)			
	CHKD:	TITLE: CUSTOMER DRAWING		REV	D0
	DRFT:	DRAWING NO.:		SHEET	1/1
THIRD ANGLE PROJECTION		MM (INCH)	DO NOT SCALE DRAWING	SCALE	1:1