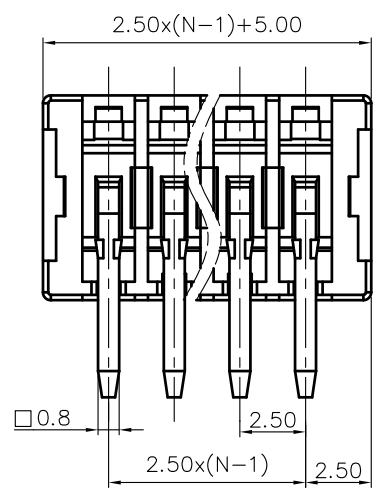
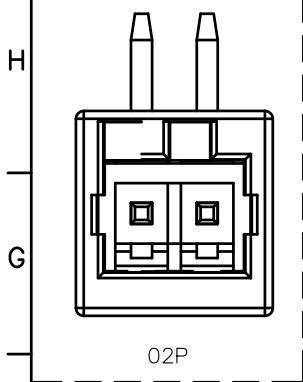


REVISION RECORD				
REV	ECN	DESCRIPTION	DRFT	DATE



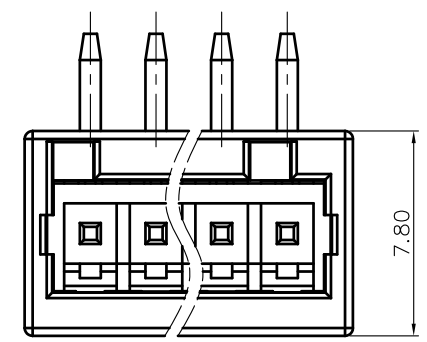
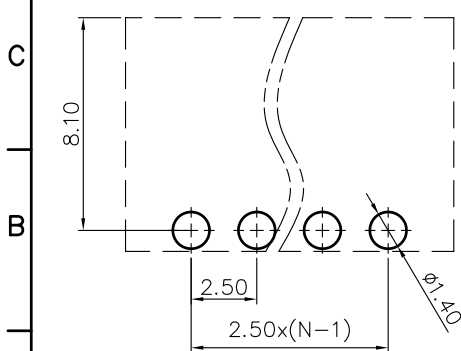
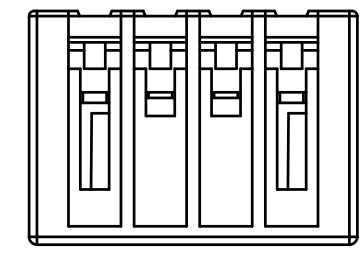
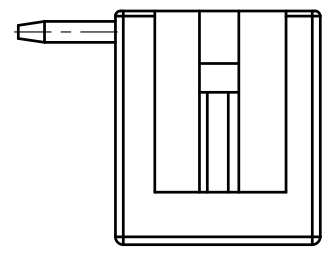
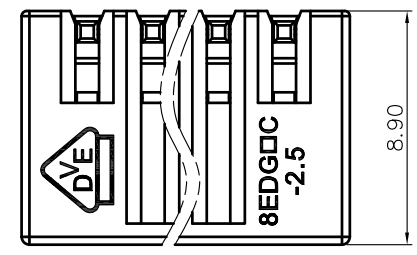
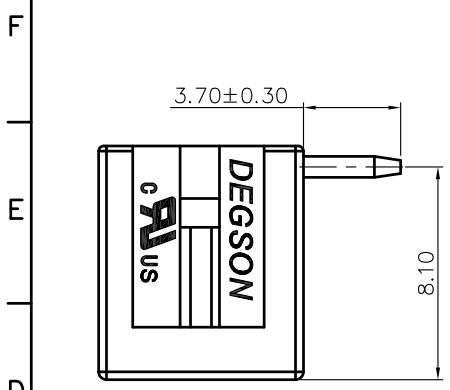
NOTES2:  
 1.Dimension shall be interpreted per ASME Y14.5-2009  
 2.Pitch :2.50mm, Poles : N=02~12P  
 3.Operating temperature: -40°C~+105°C  
 4.Undimensioned tolerances:

Pitch range in mm	Nominal dimension range in mm						0.1/10		
	Over 6 TO 6	Over 10 TO 10	Over 10 TO 24	Over 30 TO 30	Over 60 TO 60	Over 100 TO 150			
	±0.15	±0.20	±0.30	±0.30	±0.50	±0.70	±1.00	±1.30	±2'

NOTES1:  
 UL Standard  
 1.Rated voltage/current : 150V / 4A  
 2.Withstanding voltage : AC1300V/1Min.  
 IEC Standard

1. Pollution Degree	3
Overvoltage Category	III
Rate Impulse Voltage(KV)	2.5KV
Rate Voltage(V)	130V
Rate Current(A)	6A

5.RoHS Compliance



8EDGRC - 2.5 - XXP - 1Y - 00A (H)  
 (Series No.) (Pitch) (Poles) (Single Pitch) (Color):1.(Grey)  
 2.(Blue)  
 3.(Black)  
 4.(Green)  
 5.(Orange)  
 6.(Red)  
 7.(Transparent)  
 8.(Yellow)  
 9.(White)  
 (RoHS)  
 00A-(Standard)

DETACHED LISTS	PART NO.:	/			
	APPD:	/			
	CHKD:	/			
	DRFT:	/			
		THIRD ANGLE PROJECTION		DRAWING NO.: / DO NOT SCALE DRAWING	
		TITLE: CUSTOMER DRAWING		REV	DO
		NAME: NINGBO DEGSON ELECTRICAL CO., LTD 8EDGRC-2.5-XXP-1Y-00A(H)		SHEET	1/1
		SCALE: 1:1			