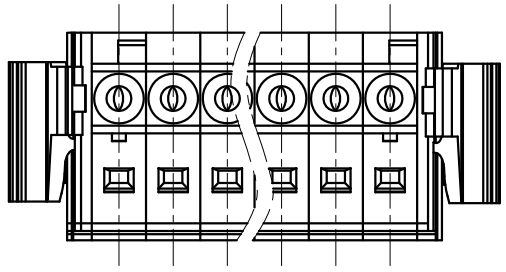
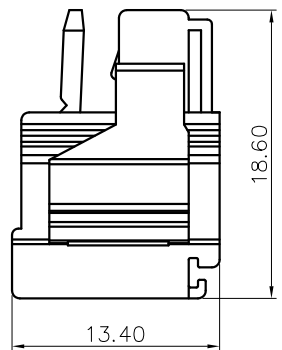
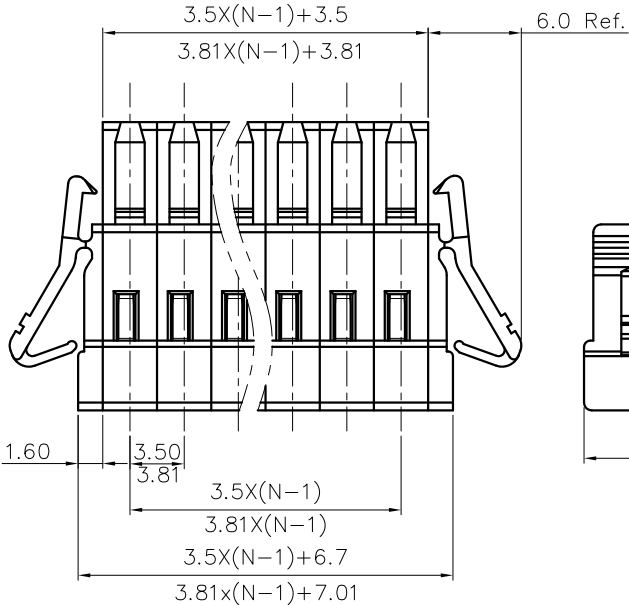


REVISION RECORD				
REV	ECN	DESCRIPTION	DRFT	DATE



NOTES1:
 UL Standard
 1. Rated voltage/current : 300V / 10A
 2. Withstanding voltage : AC1600V/1Min.
 3. Wire range : 28~14AWG
 IEC Standard
 1.

Pollution Degree	3
Overvoltage Category	III
Rate Impulse Voltage(KV)	2.5KV
Rate Voltage(V)	130V
Rate Current(A)	10A

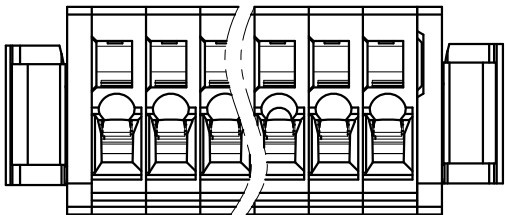
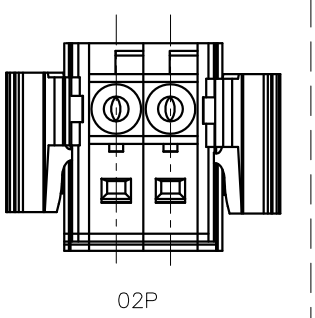


2. Wire range : 0.2~1.5mm²
 NOTES2:
 1. Dimension shall be interpreted per ASME Y14.5-2009
 2. Pitch : 3.5/3.81mm, Poles : N=02~24P
 3. Stripping length : 6~7mm
 4. Operating temperature: -40°C~+105°C
 5. Undimensioned tolerances:

Pitch range in mm		Nominal dimension range in mm				-	∩
To	Over	To	Over	To	Over		
6	10	30	60	100	150	0.1/10	
±0.15	±0.20	±0.30	±0.30	±0.50	±0.70	±1.00	±1.30
							±2'

6. RoHS Compliance

8EDGKG - 3.5/3.81 - XXP - 1Y - 00A (H)
 (Series No.) (Pitch) (Poles) (Single Pitch) (Color) : 1.(Grey)
 2.(Blue)
 3.(Black)
 4.(Green)
 5.(Orange)
 6.(Red)
 7.(Transparent)
 8.(Yellow)
 9.(White)



DETACHED LISTS	PART NO.:	/			
	APPD:	/			
	CHKD:	/			
	DRFT:	/			
	THIRD ANGLE PROJECTION		DRAWING NO.:		REV
		/		SHEET	1/1
		MM (INCH)		SCALE	1:1
		DO NOT SCALE DRAWING			

宁波高松电子有限公司
 NINGBO DEGSON ELECTRICAL CO., LTD

8EDGKG-3.5&3.81-XXP-1Y-00A(H)

CUSTOMER DRAWING

DO NOT SCALE DRAWING

SCALE 1:1