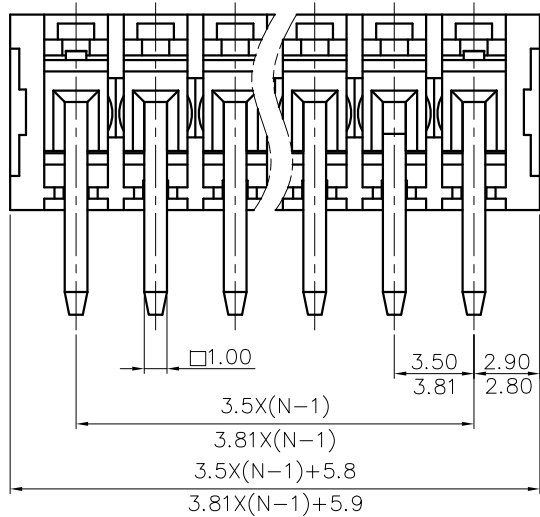


REVISION RECORD				
REV	ECN	DESCRIPTION	DRFT	DATE



NOTES1:  
 UL Standard  
 1. Rated voltage/current : 300V / 10A  
 2. Withstanding voltage : AC1600V/1Min.

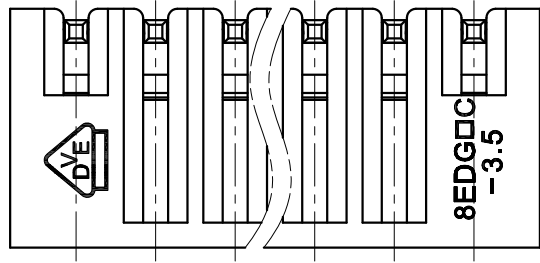
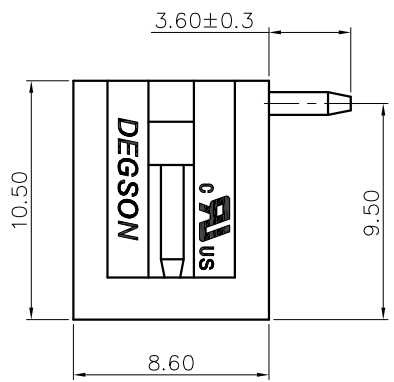
IEC Standard

1. Pollution Degree	3
Overvoltage Category	III
Rate Impulse Voltage(KV)	2.5KV
Rate Voltage(V)	130V
Rate Current(A)	10A

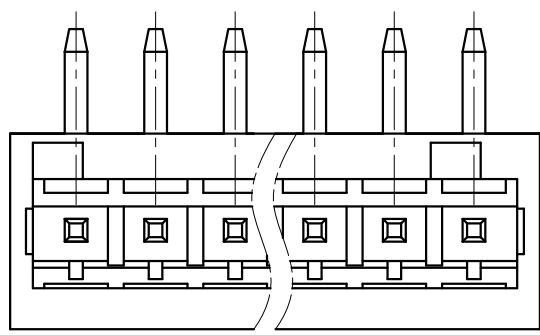
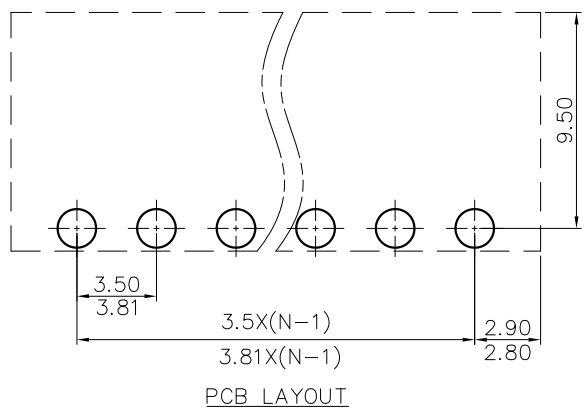
NOTES2:  
 1. Dimension shall be interpreted per ASME Y14.5-2009  
 2. Pitch : 3.5/3.81mm, Poles : N=02~24P  
 3. Operating temperature : -40°C~+105°C  
 4. Undimensioned tolerances:

Pitch Range In mm		Nominal Dimension Range In mm					-	∩	∇
TO	Over	TO	Over	TO	Over	TO	Over	Over	
6	6	10	10	30	60	100	150	0.1/10	
	TO		TO		TO		TO	<	
	±0.15	±0.20	±0.30	±0.30	±0.50	±0.70	±1.00	±1.30	±2'

5. RoHS Compliance



8EDGRC - 3.5/3.81- XXP - 1Y - 00A (H)  
 (Series No.) (Pitch) (Poles) (Single Pitch) (Color):1.(Grey)  
 2.(Blue)  
 3.(Black)  
 4.(Green)  
 5.(Orange)  
 6.(Red)  
 7.(Transparent)  
 8.(Yellow)  
 9.(White)



DETACHED LISTS	PART NO.:	宁波高松电子有限公司 NINGBO DEGSON ELECTRICAL CO., LTD		
	APPD:	NAME: 8EDGRC-3.5/3.81-XXP-1Y-00A(H)		
	CHKD:	TITLE: CUSTOMER DRAWING		
	DRFT:	REV	DO	
	DRAWING NO.:		SHEET	1/1
THIRD ANGLE PROJECTION		SCALE	1:1	

DO NOT SCALE DRAWING