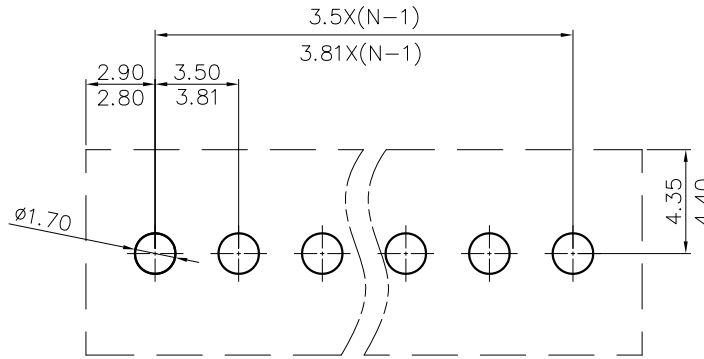
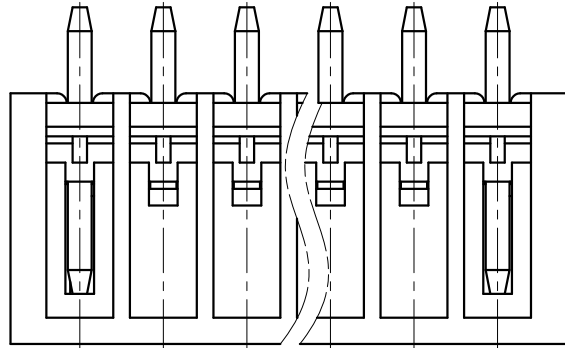
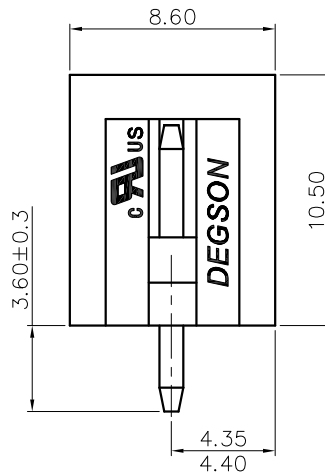
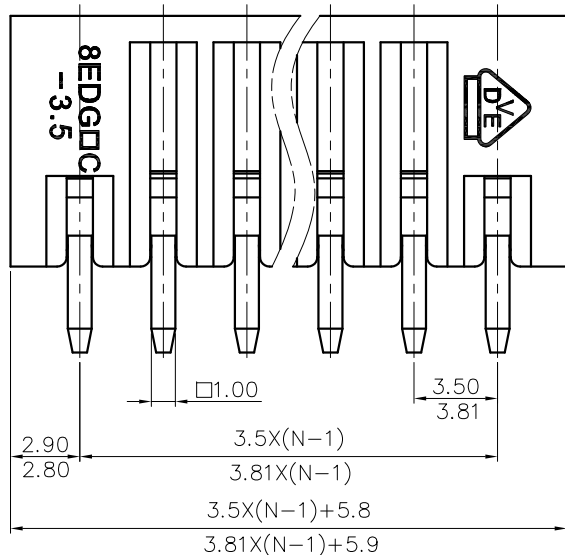
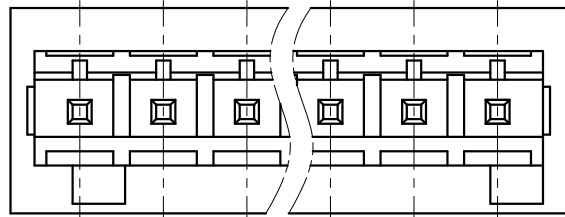


REVISION RECORD

| REV | ECN | DESCRIPTION | DRFT | DATE |
|-----|-----|-------------|------|------|
|-----|-----|-------------|------|------|



PCB LAYOUT



8EDGVC - 3.5/3.81 - XXP - 1Y - 00A (H)

(Series No.) (Pitch) (Poles) (Single Pitch) (Color): 1.(Grey)  
 2.(Blue)  
 3.(Black)  
 4.(Green)  
 5.(Orange)  
 6.(Red)  
 7.(Transparent)  
 8.(Yellow)  
 9.(White)

(RoHS)  
 00A-(Standard)

NOTES1:

UL Standard

- 1.Rated voltage/current : 300V / 10A
- 2.Withstanding voltage : AC1600V/1Min.

IEC Standard

|                          |       |
|--------------------------|-------|
| 1. Pollution Degree      | 3     |
| Overvoltage Category     | III   |
| Rate Impulse Voltage(KV) | 2.5KV |
| Rate Voltage(V)          | 130V  |
| Rate Current(A)          | 10A   |

NOTES2:

- 1.Dimension shall be interpreted per ASME Y14.5-2009
- 2.Pitch : 3.5/3.81mm, Poles : N=02~24P
- 3.Operating temperature: -40°C~+105°C
- 4.Undimensioned tolerances:

| Pitch Range In mm |         | Nominal Dimension Range In mm |         |         |         |       | -     | ∩ | □      |
|-------------------|---------|-------------------------------|---------|---------|---------|-------|-------|---|--------|
| TO                | Over TO | Over TO                       | Over TO | Over TO | Over TO |       |       |   |        |
| 6                 | 10      | 10                            | 30      | 60      | 100     | 150   |       |   | 0.1/10 |
| ±0.15             | ±0.20   | ±0.30                         | ±0.30   | ±0.50   | ±0.70   | ±1.00 | ±1.30 |   | ±2*    |

5.RoHS Compliance

|                         |                        |                      |    |  |
|-------------------------|------------------------|----------------------|----|--|
| DETACHED LISTS          | PART NO.:              | /                    |    |  |
|                         | APPD:                  | /                    |    |  |
|                         | CHKD:                  | /                    |    |  |
|                         | DRFT:                  | /                    |    |  |
|                         | THIRD ANGLE PROJECTION |                      | /  |  |
| DRAWING NO.:            |                        | /                    |    |  |
| MM (INCH)               |                        | DO NOT SCALE DRAWING |    |  |
| TITLE: CUSTOMER DRAWING |                        | REV                  | DO |  |
| SHEET                   |                        | 1/1                  |    |  |
| SCALE                   |                        | 1:1                  |    |  |