

REVISION RECORD				
REV	ECN	DESCRIPTION	DRFT	DATE

NOTES1:

UL Standard

1.Rated voltage/current : 300V / 10A

2.Withstanding voltage : AC1600V/1Min.

IEC Standard

1. Pollution Degree	3
Overvoltage Category	III
Rate Impulse Voltage(kV)	2.5KV
Rate Voltage(V)	250V
Rate Current(A)	10A

NOTES2:

1.Dimension shall be interpreted per ASME Y14.5-2009

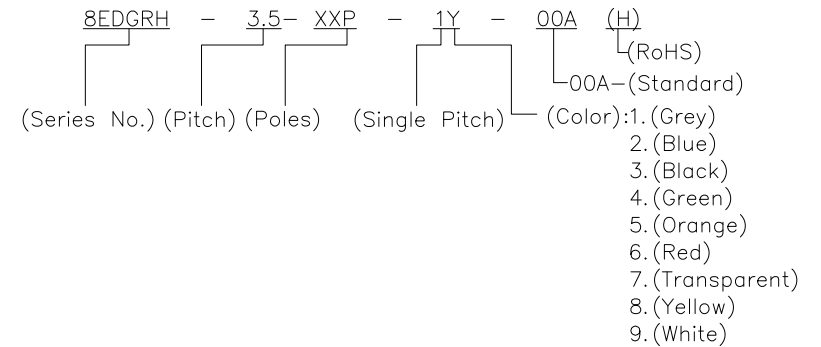
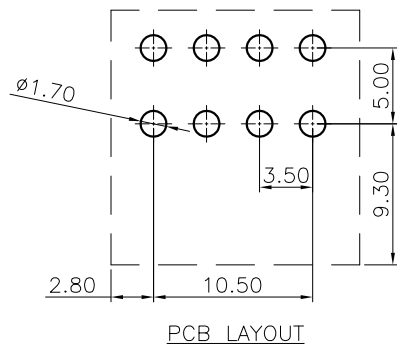
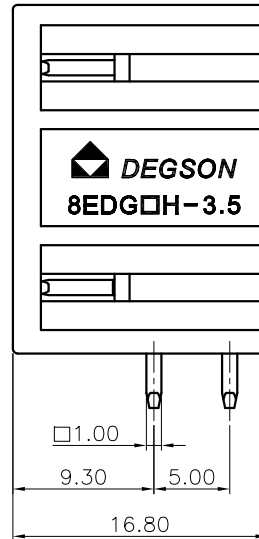
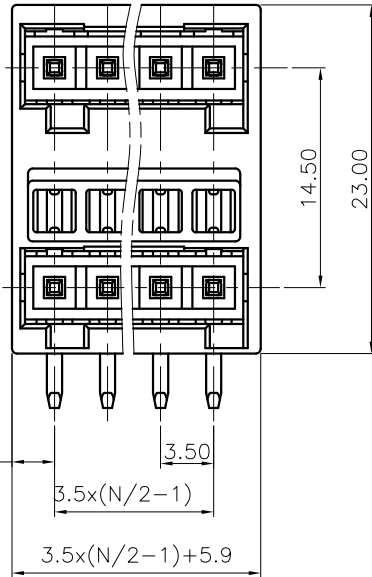
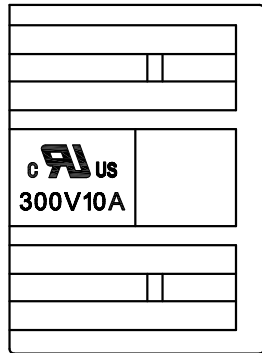
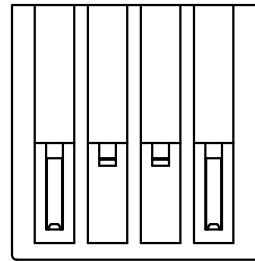
2.Pitch :3.5mm, Poles : N=04~24P

3.Operating temperature:-40°C~+105°C

4.Undimensioned tolerances:

Pitch Range In mm	Nominal Dimension Range In mm								0.1/10
	Over 6 TO 10	Over 10 TO 24	Over 30 TO 30	Over 30 TO 60	Over 60 TO 100	Over 100 TO 150	Over 150	±2'	
±0.15	±0.20	±0.30	±0.30	±0.50	±0.70	±1.00	±1.30	±2'	

5.RoHS Compliance



DETACHED LISTS	PART NO.:	/			
	APPD:	/			
	CHKD:	/			
	DRFT:	/			
	THIRD ANGLE PROJECTION		DRAWING NO.:		/
		MM (INCH)		DO NOT SCALE DRAWING	
		TITLE: CUSTOMER DRAWING		REV	DO
				SHEET	1/1
				SCALE	1:1