

| REVISION RECORD | | | | |
|-----------------|-----|-------------|------|------|
| REV | ECN | DESCRIPTION | DRFT | DATE |

NOTES1:

- UL Standard
 1. Rated voltage/current : 300V / 15A
 2. Withstanding voltage : AC1600V/1Min.
 3. Wire range : 22~14AWG

IEC Standard

| | |
|--------------------------|-------|
| 1. Pollution Degree | 3 |
| Overvoltage Category | III |
| Rate Impulse Voltage(KV) | 4.0KV |
| Rate Voltage(V) | 400V |
| Rate Current(A) | 20A |

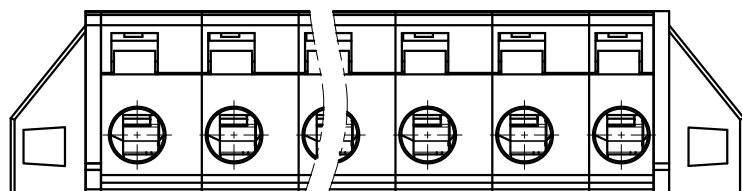
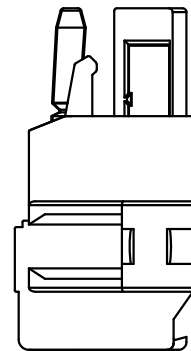
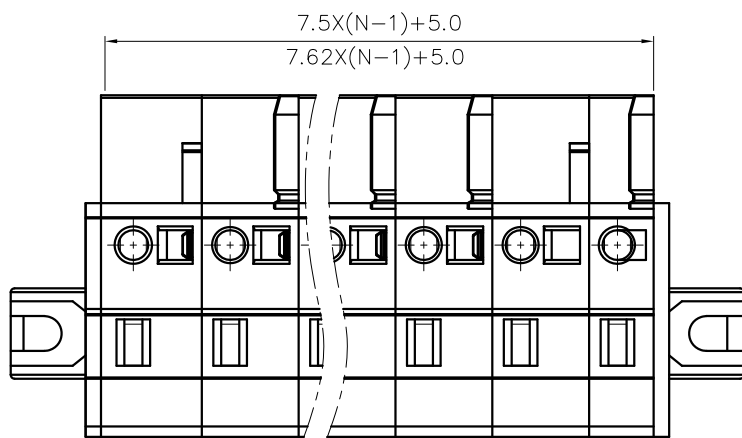
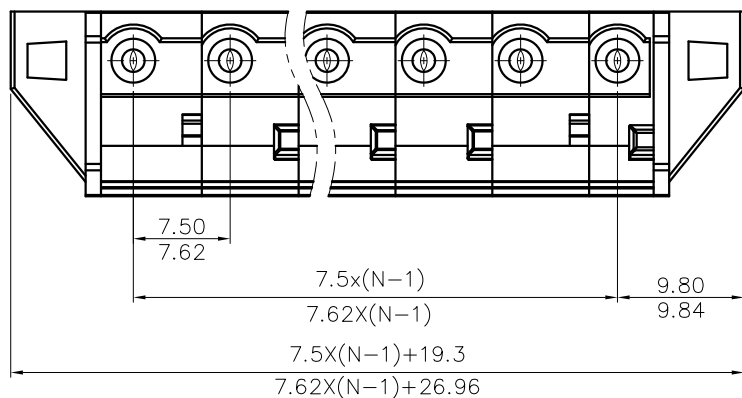
2. Wire range : 0.2~2.5mm²

NOTES2:

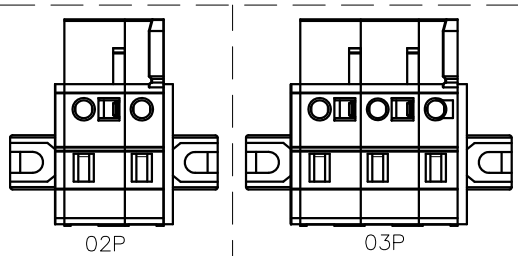
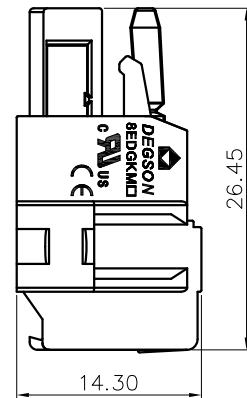
1. Dimension shall be interpreted per ASME Y14.5-2009
 2. Pitch : 7.5/7.62mm, Poles : N=02~12P
 3. Stripping length : 8~9mm
 4. Operating temperature: -40°C~+105°C
 5. Undimensioned tolerances:

| Pitch range in mm | Nominal dimension range in mm | | | | 0.1/10 |
|-------------------|-------------------------------|--------------|--------------|---------------|--------|
| | Over TO | Over TO | Over TO | Over TO | |
| 6 TO 10 | 6 TO 10 | 10 TO 24 | 30 TO 30 | 30 TO 60 | ±0.15 |
| 10 TO 24 | 24 TO 30 | 30 TO 60 | 60 TO 100 | 100 TO 150 | |
| 30 TO 60 | 60 TO 100 | 100 TO 150 | 150 TO 300 | 300 TO 600 | ±0.30 |
| 60 TO 100 | 100 TO 150 | 150 TO 300 | 300 TO 600 | 600 TO 1200 | ±0.50 |
| 100 TO 150 | 150 TO 300 | 300 TO 600 | 600 TO 1200 | 1200 TO 2400 | ±0.70 |
| 150 TO 300 | 300 TO 600 | 600 TO 1200 | 1200 TO 2400 | 2400 TO 4800 | ±1.00 |
| 300 TO 600 | 600 TO 1200 | 1200 TO 2400 | 2400 TO 4800 | 4800 TO 9600 | ±1.30 |
| 600 TO 1200 | 1200 TO 2400 | 2400 TO 4800 | 4800 TO 9600 | 9600 TO 19200 | ±2* |

6. RoHS Compliance



8EDGKMA - 7.5/7.62 - XXP - 1Y - 00A (H)
 (Series No.) (Pitch) (Poles) (Single Pitch) (Color): 1.(Grey)
 2.(Blue)
 3.(Black)
 4.(Green)
 5.(Orange)
 6.(Red)
 7.(Transparent)
 8.(Yellow)
 9.(White)



| | | | | |
|----------------|----------------------------|---|-----------------------------|------------------------------|
| DETACHED LISTS | PART NO.: | / | | |
| | APPD: | / | | |
| | CHKD: | / | | |
| | DRFT: | / | | |
| | THIRD ANGLE PROJECTION | | DRAWING NO.: / SHEET 1/1 | |
| | DO NOT SCALE DRAWING | | REV / SCALE 1:1 | D0 / DO NOT SCALE DRAWING |

NINGBO DEGSON ELECTRICAL CO., LTD

8EDGKMA-7.5/7.62-XXP-1Y-00A(H)

CUSTOMER DRAWING

DO NOT SCALE DRAWING

SCALE 1:1