

REVISION RECORD

REV	ECN	DESCRIPTION	DRFT	DATE
-----	-----	-------------	------	------

NOTES1:

UL Standard

- 1.Rated Voltage/Current : 300V / 15A
- 2.Withstanding Voltage : AC1600V/1Min.
- 3.Wire Range : 22~14AWG

IEC Standard

1. Pollution Degree	2
Overtoltage Category	III
Rate Impulse Voltage(KV)	4.0KV
Rate Voltage(V)	320V
Rate Current(A)	20A

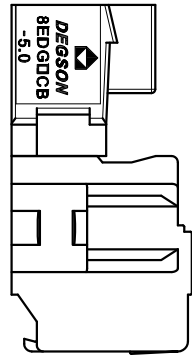
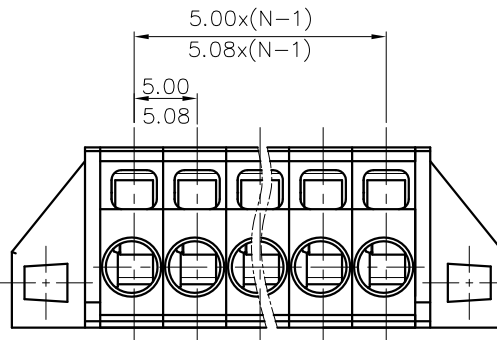
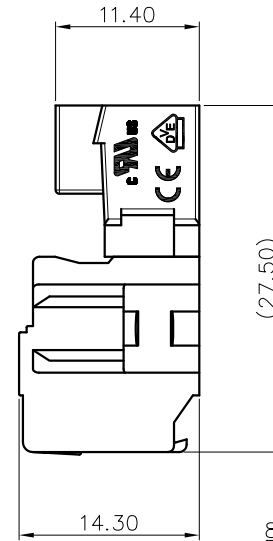
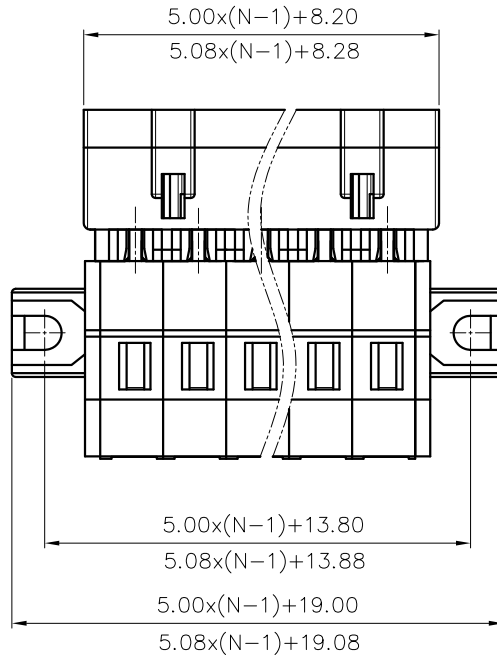
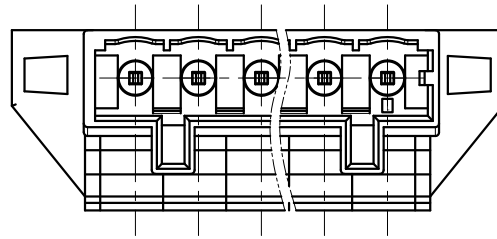
2.Wire Range : 0.2~2.5mm²

NOTES2:

- 1.Dimension shall be interpreted per ASME Y14.5-2009
- 2.Pitch : 5.00/5.08mm, Poles : N=02~24P
- 3.Stripping length : 8~9mm
- 4.Operating temperature : -40°C~+105°C
- 5.Unimensioned Tolerances:

Pitch range in mm		Nominal dimension range in mm					0.1/10
TO	Over TO	Over TO	Over TO	Over TO	Over TO		
6	6 TO 10	10 TO 24	30 TO 60	60 TO 100	100 TO 150	<	
	±0.15	±0.20	±0.30	±0.50	±0.70	±1.00	
						±1.30	
						±2*	

6.RoHS Compliance



8EDGKRMB - 5.0/5.08 - XXP - 1Y - 00A (H)

(Series No.) (Pitch) (Poles) (Single Pitch) (Color): 1.(Grey)
 2.(Blue)
 3.(Black)
 4.(Green)
 5.(Orange)
 6.(Red)
 7.(Transparent)
 8.(Yellow)
 9.(White)

(RoHS)
 00A-(Standard)

DETACHED LISTS	PART NO.:	/			
	APPD:	/			
	CHKD:	/			
	DRFT:	/			
		<p>THIRD ANGLE PROJECTION</p>		<p>DO NOT SCALE DRAWING</p>	
		<p>MM (INCH)</p>		SCALE	1:1

<p>NINGBO DEGSON ELECTRICAL CO., LTD</p>	
<p>8EDGKRMB-5.0/5.08-XXP-1Y-00A(H)</p>	
TITLE:	CUSTOMER DRAWING
REV	DO
SHEET	1/1