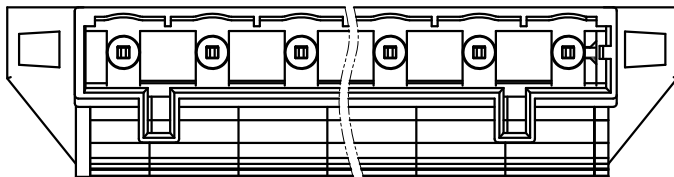


REVISION RECORD				
REV	ECN	DESCRIPTION	DRFT	DATE



NOTES1:

UL Standard

1. Rated Voltage/Current : 300V / 15A
2. Withstanding Voltage : AC1600V/1Min.
3. Wire Range : 22~14AWG

IEC Standard

1. Pollution Degree	2
Overvoltage Category	III
Rate Impulse Voltage(KV)	4.0KV
Rate Voltage(V)	400V
Rate Current(A)	20A

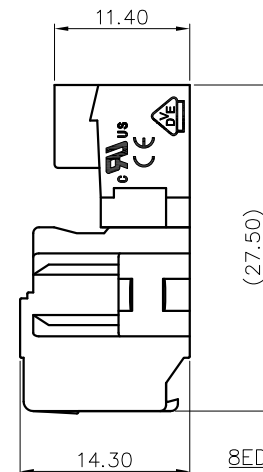
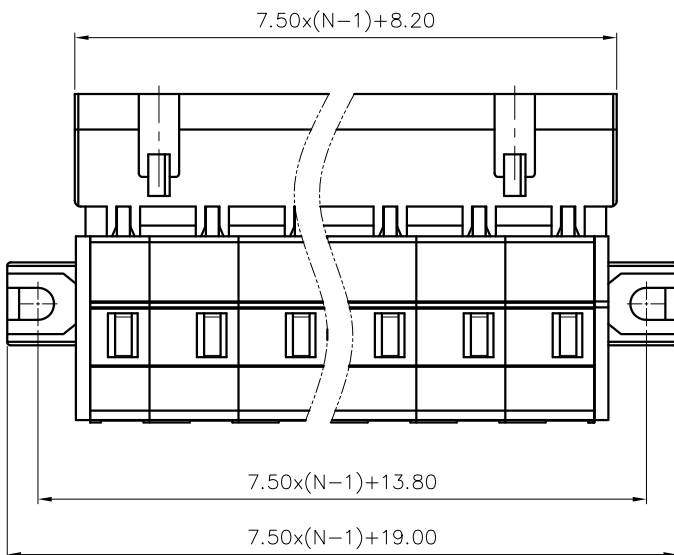
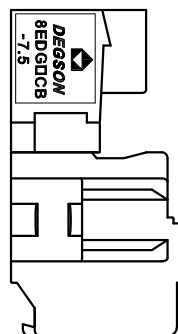
2. Wire Range : 0.2~2.5mm<sup>2</sup>

NOTES2:

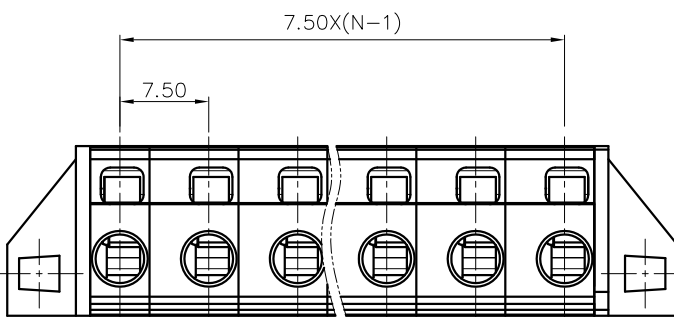
1. Dimension shall be interpreted per ASME Y14.5-2009
2. Pitch : 7.50mm, Poles : N=02~12P
3. Stripping length : 8~9mm
4. Operating temperature : -40°C~+105°C
5. Undimensioned Tolerances:

Pitch range in mm		Nominal dimension range in mm					0.1/10
TO	Over TO	TO	Over TO	TO	Over TO	Over TO	
6	10	6	10	30	60	100	150
6	10	24	30	60	100	150	150
±0.15	±0.20	±0.30	±0.30	±0.50	±0.70	±1.00	±1.30

6. RoHS Compliance



8EDGKRB - 7.5 - XXP - 1Y - 00A (H)  
 (Series No.) (Pitch) (Poles) (Single Pitch) (Color):1.(Grey)  
 2.(Blue)  
 3.(Black)  
 4.(Green)  
 5.(Orange)  
 6.(Red)  
 7.(Transparent)  
 8.(Yellow)  
 9.(White)



DETACHED LISTS	PART NO.:	/			
	APPD:	/			
	CHKD:	/			
	DRFT:	/			
		 THIRD ANGLE PROJECTION		 DO NOT SCALE DRAWING	
NAME: NINGBO DEGSON ELECTRICAL CO., LTD 8EDGKRB-7.5-XXP-1Y-00A(H)		TITLE: CUSTOMER DRAWING	REV	D0	
DRAWING NO.:		/		SHEET	1/1
		MM (INCH)	SCALE	1:1	