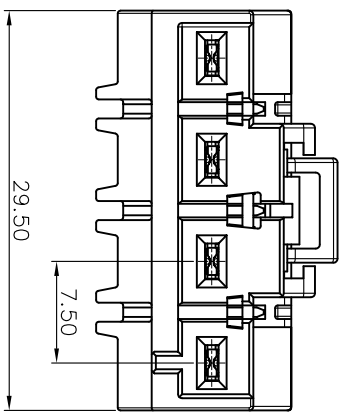
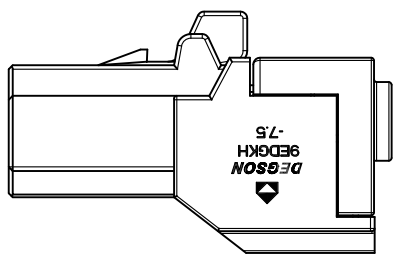
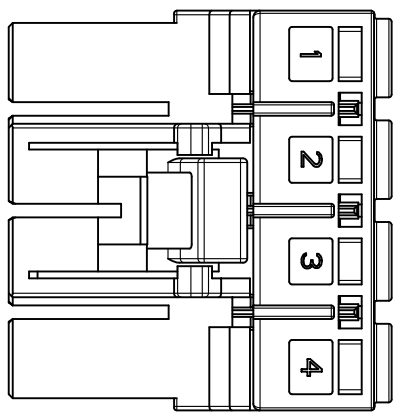
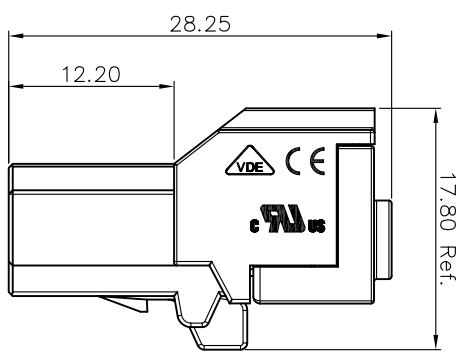
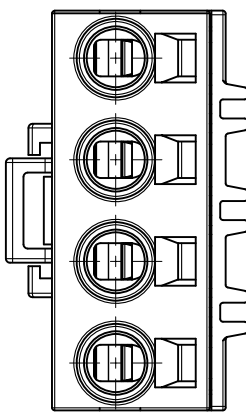


REVISION RECORD			
REV	ECN	DESCRIPTION	DRFT DATE



NOTES1:

- UL Standard
- 1. Rated voltage/current : 600V / 16A
- 2. Withstanding voltage : AC2200V/1Min.
- 3. Wire range : 28~14AWG(Str&Sol)
12AWG(Sol)

IEC Standard

Pollution degree	3	3	2
Overvoltage category	I	I	III
Rate impulse voltage(KV)	8KV	8KV	8KV
Rate voltage(V)	800V	800V	1000V
Rate current(A)	20A		

2. Wire range : 0.2~2.5mm²

NOTES2:

- 1. Dimension shall be interpreted per ASME Y14.5-2009
- 2. Pitch : 7.50mm, Poles : 04P
- 3. Stripping length : 8~9mm
- 4. Operating temperature: -40C~+105C
- 5. Undimensioned tolerances:

Pitch range in mm	in	mm	Nominal dimension	range	mm	in	mm	in	
Over 6	TO	Over 10	TO	Over 30	TO	Over 60	TO	Over 100	TO
10	10	10	24	30	60	100	150	150	150
±0.15	±0.20	±0.30	±0.30	±0.50	±0.70	±1.00	±1.30	±1.30	±2.0

6. RoHS Compliance

9EDGKH - 7.5 - 04P - 1Y - 00A (H)
 (Series No.) (Pitch) (Poles) (Single Pitch) (Color): 1.(Grey)
 2.(Blue)
 3.(Black)
 4.(Green)
 5.(Orange)
 6.(Red)
 7.(Transparent)
 8.(Yellow)
 9.(White)

00A - (Standard)
 (RoHS)
 1.(Grey)
 2.(Blue)
 3.(Black)
 4.(Green)
 5.(Orange)
 6.(Red)
 7.(Transparent)
 8.(Yellow)
 9.(White)

DETACHED LISTS	
PART NO.:	/
APPD:	/
CHKD:	/
DRFT:	/
THIRD ANGLE PROJECTION	
NAME:	DEGSON 宁波高松电子有限公司 NINGBO DEGSON ELECTRICAL CO., LTD
TITLE:	CUSTOMER DRAWING
DRAWING NO.:	/
SCALE	DO NOT SCALE DRAWING

