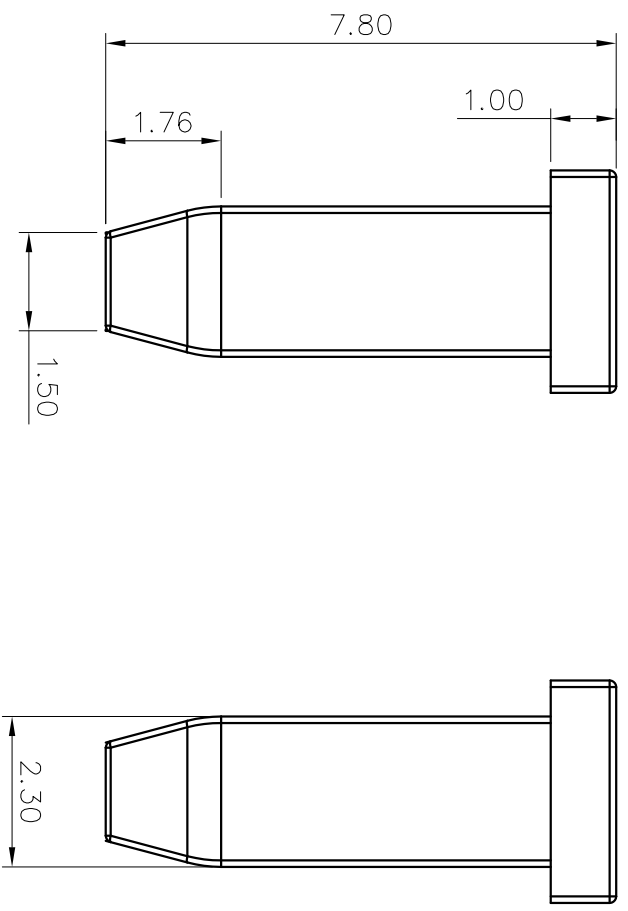
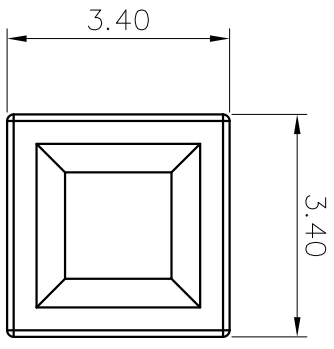


REVISION RECORD			
REV	ECN	DESCRIPTION	DRFT DATE

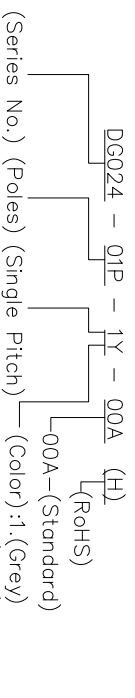


NOTES:

- 1.Dimension shall be interpreted per ASME Y14.5-2009
- 2.Operation Temperature: -40°C~+105°C
- 3.Undimensioned Tolerances:

Pitch range in mm	Nominal dimension range		Tolerance
	Over	Under	
6 TO 10	Over 10	Under 6	0.1/10
10 TO 24	Over 24	Under 10	∠
24 TO 30	Over 30	Under 24	∠
30 TO 50	Over 50	Under 30	∠
50 TO 60	Over 60	Under 50	∠
60 TO 100	Over 100	Under 60	∠
100 TO 150	Over 150	Under 100	∠
±0.15/±0.20/±0.30/±0.30/±0.50/±0.70/±1.00/±1.30	±2°		

4.RoHS Compliance



- 1.(Grey)
- 2.(Blue)
- 3.(Black)
- 4.(Green)
- 5.(Orange)
- 6.(Red)
- 7.(Transparent)
- 8.(Yellow)
- 9.(White)

DETACHED LISTS			
PART NO.:	/	NAME:	DEGSON NINGBO DEGSON ELECTRICAL CO.,LTD 宁波高松电子有限公司
APPD:	/	CHKD:	/
DRFT:	/	TITLE:	CUSTOMER DRAWING
THIRD ANGLE PROJECTION		DRAWING NO.:	/
		DO NOT SCALE DRAWING	SCALE
			1:1