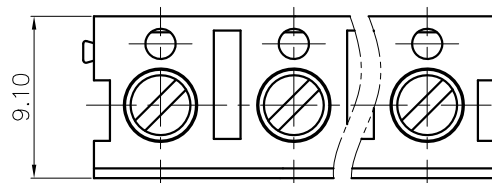


REVISION RECORD

REV	ECN	DESCRIPTION	DRFT	DATE
-----	-----	-------------	------	------



NOTES1:

- UL Standard
 1. Rated Voltage/Current : 300V / 10A
 2. Torque Value : M3 , 4.43Lb.in
 3. Wire Range : 22~14AWG

IEC Standard

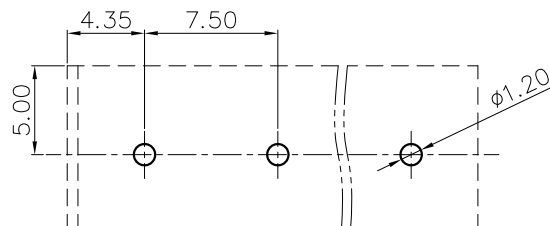
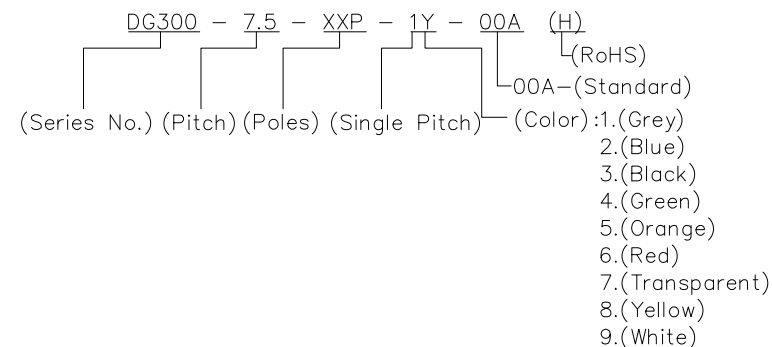
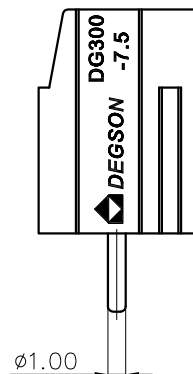
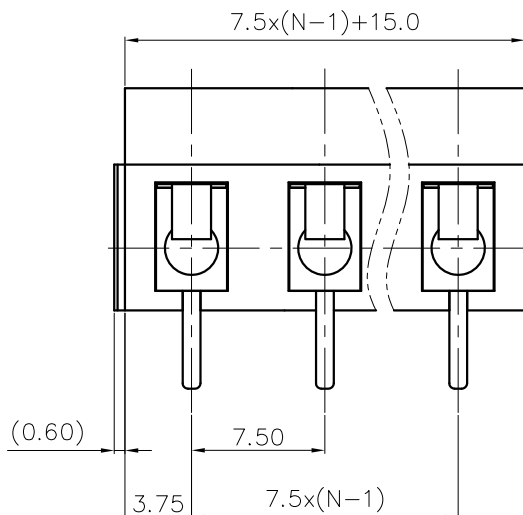
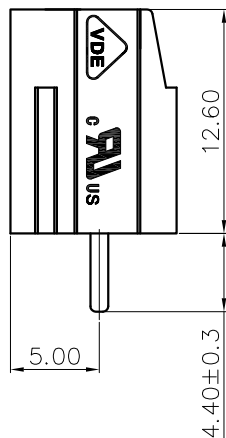
1. Rated Voltage/Current : 450V / 24A
 2. Torque Value : M3 , 0.5N.m
 3. Wire Range : 1.0~2.5mm²

NOTES2:

1. Dimension shall be interpreted per ASME Y14.5-2009
 2. Pitch : 7.5mm, Poles : N=02~24P
 3. Stripping length : 5~6mm
 4. Withstanding Voltage : AC2000V/1Min.
 5. Operating temperature : -30°C~+120°C
 6. Undimensioned Tolerances:

Pitch Range In mm		Nominal Dimension Range In mm				—	∩	∇
TO	Over TO	Over TO	TO	Over TO	Over TO	0.1/10		
6	10	10	30	60	100			
6	24	30	60	100	150			
±0.15	±0.20	±0.30	±0.30	±0.50	±0.70	±1.00	±1.30	±2*

7. RoHS Compliance



PCB LAYOUT

DETACHED LISTS	PART NO.:	宁波高松电子有限公司 NINGBO DEGSON ELECTRICAL CO., LTD			
	APPD:	NAME: DG300-7.5-XXP-1Y-00A(H)			
	CHKD:	TITLE: CUSTOMER DRAWING			
	DRFT:	DRAWING NO.:		REV	DO
THIRD ANGLE PROJECTION		MM (INCH)	DO NOT SCALE DRAWING	SHEET	1/1
			SCALE	1:1	