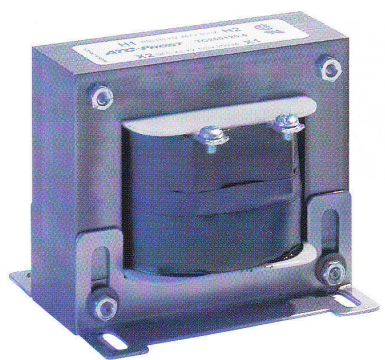


# TC Series Bracket Mounting

## Control Circuit Transformers



### Features:

- Traditional heavy duty, four point mounting.
- Binding head screw terminals, primary and secondary.
- Primary and secondary leads are available.
- CSA/UL recognized. LR16597, E105782.
- Multi-primary models have 208, 240, 480, 600 volt input and 120 volt output.
- Fully varnish impregnated and baked for quiet operation.
- Dielectric tested to UL/CSA standards.

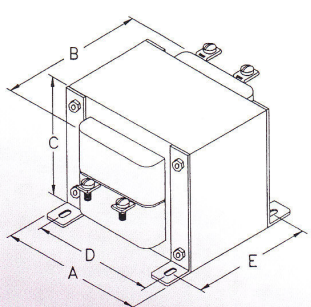
### TC Series Models c/w Heavy Duty Bracket Mounting and Terminals



Primary Volts	Sec. Volts	25VA	50VA	75VA	100VA	150VA	200VA	250VA	350VA	500VA	750VA	1000VA
120	24	TC2524-1	TC5024-1	TC7524-1	TC10024-1	TC15024-1	TC20024-1	TC25024-1				
	120	TC25120-1	TC50120-1	TC75120-1	TC100120-1	TC150120-1	TC200120-1	TC250120-1	TC350120-1	TC500120-1	TC750120-1	TC1000120-1
208	24	TC2524-2	TC5024-2	TC7524-2	TC10024-2	TC15024-2	TC20024-2	TC25024-2				
	120	TC25120-2	TC50120-2	TC75120-2	TC100120-2	TC150120-2	TC200120-2	TC250120-2	TC350120-2	TC500120-2	TC750120-2	TC1000120-2
240	24	TC2524-3	TC5024-3	TC7524-3	TC10024-3	TC15024-3	TC20024-3	TC25024-3				
	120	TC25120-3	TC50120-3	TC75120-3	TC100120-3	TC150120-3	TC200120-3	TC250120-3	TC350120-3	TC500120-3	TC750120-3	TC1000120-3
277	24	TC2524-4	TC5024-4	TC7524-4	TC10024-4	TC15024-4	TC20024-4	TC25024-4				
	120	TC25120-4	TC50120-4	TC75120-4	TC100120-4	TC150120-4	TC200120-4	TC250120-4	TC350120-4	TC500120-4	TC750120-4	TC1000120-4
120/240	24	TC25120D-4	TC50120D-4	TC75120D-4	TC100120D-4	TC150120D-4	TC200120D-4	TC250120D-4	TC350120D-4	TC500120D-4	TC750120D-4	TC1000120D-4
	240	TC2524-5	TC5024-5	TC7524-5	TC10024-5	TC15024-5	TC20024-5	TC25024-5				
347	120	TC25120-5	TC50120-5	TC75120-5	TC100120-5	TC150120-5	TC200120-5	TC250120-5	TC350120-5	TC500120-5	TC750120-5	TC1000120-5
	240	TC25240-5	TC50240-5	TC75240-5	TC100240-5	TC150240-5	TC200240-5	TC250240-5	TC350240-5	TC500240-5	TC750240-5	TC1000240-5
120/240	120	TC25120D-5	TC50120D-5	TC75120D-5	TC100120D-5	TC150120D-5	TC200120D-5	TC250120D-5	TC350120D-5	TC500120D-5	TC750120D-5	TC1000120D-5
	240	TC2524-6	TC5024-6	TC7524-6	TC10024-6	TC15024-6	TC20024-6	TC25024-6				
416	120	TC25120-6	TC50120-6	TC75120-6	TC100120-6	TC150120-6	TC200120-6	TC250120-6	TC350120-6	TC500120-6	TC750120-6	TC1000120-6
	240	TC25240-6	TC50240-6	TC75240-6	TC100240-6	TC150240-6	TC200240-6	TC250240-6	TC350240-6	TC500240-6	TC750240-6	TC1000240-6
120/240	120	TC25120D-6	TC50120D-6	TC75120D-6	TC100120D-6	TC150120D-6	TC200120D-6	TC250120D-6	TC350120D-6	TC500120D-6	TC750120D-6	TC1000120D-6
	240	TC2524-7	TC5024-7	TC7524-7	TC10024-7	TC15024-7	TC20024-7	TC25024-7				
480	120	TC25120-7	TC50120-7	TC75120-7	TC100120-7	TC150120-7	TC200120-7	TC250120-7	TC350120-7	TC500120-7	TC750120-7	TC1000120-7
	240	TC25240-7	TC50240-7	TC75240-7	TC100240-7	TC150240-7	TC200240-7	TC250240-7	TC350240-7	TC500240-7	TC750240-7	TC1000240-7
120/240	120	TC25120D-7	TC50120D-7	TC75120D-7	TC100120D-7	TC150120D-7	TC200120D-7	TC250120D-7	TC350120D-7	TC500120D-7	TC750120D-7	TC1000120D-7
	240	TC2524-9	TC5024-9	TC7524-9	TC10024-9	TC15024-9	TC20024-9	TC25024-9				
600	120	TC25120-9	TC50120-9	TC75120-9	TC100120-9	TC150120-9	TC200120-9	TC250120-9	TC350120-9	TC500120-9	TC750120-9	TC1000120-9
	240	TC25240-9	TC50240-9	TC75240-9	TC100240-9	TC150240-9	TC200240-9	TC250240-9	TC350240-9	TC500240-9	TC750240-9	TC1000240-9
120/240	120	TC25120D-9	TC50120D-9	TC75120D-9	TC100120D-9	TC150120D-9	TC200120D-9	TC250120D-9	TC350120D-9	TC500120D-9	TC750120D-9	TC1000120D-9
	240	TC2524-10	TC5024-10	TC7524-10	TC10024-10	TC15024-10	TC20024-10	TC25024-10				
MULTI	208											
	240											
	480											
	600											
	120		TC50120-10		TC100120-10	TC150120-10	TC200120-10	TC250120-10	TC350120-10	TC500120-10		

### Single Primary Models

Size	Dimensions (inches)				
	A	B	C	D	E
25	3.00	2.75	2.50	2.50	1.75
50	3.00	3.00	2.50	2.50	2.00
75	3.00	3.25	2.50	2.50	2.25
100	3.00	4.00	2.50	2.50	3.00
150	3.75	4.00	3.13	3.13	2.75
200	3.75	4.25	3.13	3.13	3.25
250	4.50	4.50	3.75	3.75	3.00
350	4.50	5.00	3.75	3.75	3.50
500	4.50	5.75	3.75	3.75	4.38
750	5.25	5.75	4.38	4.38	4.13
1000	5.25	6.75	4.38	4.38	5.13



### Multi Primary Models

Size	Dimensions (inches)				
	A	B	C	D	E
50	3.38	3.25	2.82	2.82	2.00
100	3.38	4.25	2.82	2.82	3.00
150	3.75	4.50	3.13	3.13	3.00
200	4.13	4.50	3.44	3.44	3.00
250	4.50	4.75	3.75	3.75	3.13
350	4.50	5.25	3.75	3.75	3.63
500	4.50	6.00	3.75	3.75	4.63

For ratings over 1000VA contact the factory with your requirements. ATC-FROST is able to supply CSA/UL recognized control circuit transformers to 2500VA.