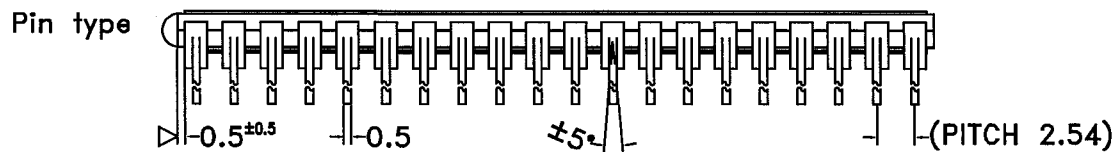


Zebra type

Pin type



MECHANICAL TOL. ± 0.2 UNLESS SPECIFIED

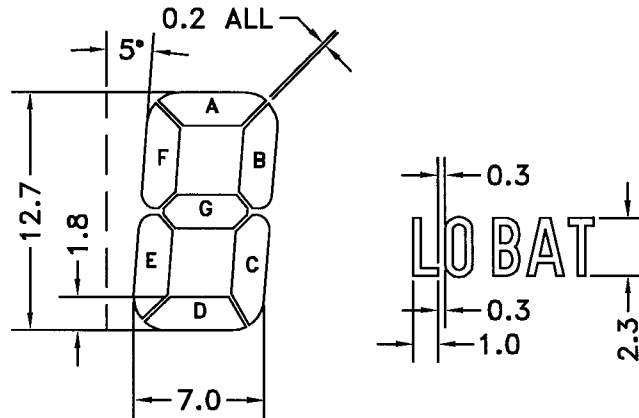
APPROVAL	COUNTER DRAWING	CUSTOMER REF.	REV.	DATE
COMPANY NAME	STANDARD		00	02-DEC-14
APPROVED BY		SHEET 1 OF 2		
DATE		SCALE 2 : 1		

 PROJECTION S5018	APPROVAL	DRAFTING	CUSTOMER-SERVICE	ENGINEERING
	APPROVED BY	Y.WEN	<i>Simon</i>	<i>廖俊傑</i>
	DATE	02Dec,14	order 14	3 Dec 2014
	DRAWN BY :	BEN	UNIT IN mm	OUR REF. 00
CLOVER DISPLAY LIMITED				

TN TYPE

MODEL NO.	S5018A	S5018B	S5018C	S5018D	S5018E	S5018F	S5018G	S5018H	
VIEWING DIRECTION	6 O'CLOCK	6 O'CLOCK	6 O'CLOCK	6 O'CLOCK	12 O'CLOCK	12 O'CLOCK	12 O'CLOCK	12 O'CLOCK	
TEMPERATURE RANGE	OPERATE	0°C ~ 50°C	-20°C ~ 70°C	0°C ~ 50°C	-20°C ~ 70°C	0°C ~ 50°C	-20°C ~ 70°C	0°C ~ 50°C	-20°C ~ 70°C
	STORAGE	-10°C ~ 60°C	-30°C ~ 80°C	-10°C ~ 60°C	-30°C ~ 80°C	-10°C ~ 60°C	-30°C ~ 80°C	-10°C ~ 60°C	-30°C ~ 80°C
CONNECTOR	ZEBRA	ZEBRA	PIN	PIN	ZEBRA	ZEBRA	PIN	PIN	
DISPLAY TYPE	POSITIVE / NEGATIVE REFLECTIVE / TRANSFLECTIVE / TRANSMISSIVE								

OPERATION VOLTAGE	3.0 V
DRIVING METHOD	STATIC



PIN	1	2	3	4	5	6	7	8	9	10	11	12	13	14	15	16	17	18	19	20
COM	COM	Y	Z	\	\	\	\	P1	1E	1D	1C	P2	2E	2D	2C	P3	3E	3D	3C	3B
PIN	21	22	23	24	25	26	27	28	29	30	31	32	33	34	35	36	37	38	39	40
COM	3A	3F	3G	2B	2A	2F	2G	COL	1B	1A	1F	1G	\	\	\	\	\	LOBAT	X	COM

REV.	REVISION RECORD	DATE	STANDARD	 PROJECTION	APPROVAL	DRAFTING	CUSTOMER-SERVICE	ENGINEERING
00	1st ISSUE	02-DEC-14	CUSTOMER REF.		APPROVED BY: Y.WEN DATE: 02Dec,14 DRAWN BY: BEN	APPROVED BY: <i>Simon</i> DATE: 02Dec,14 UNIT IN mm	CUSTOMER-SERVICE: <i>Simon</i> DATE: 3 Dec 2014 OUR REF. 00	ENGINEERING: <i>廖作良</i> DATE: 3 Dec 2014 OUR REF. 00
SHEET 2 OF 2 SCALE N.T.S				S5018	CLOVER DISPLAY LIMITED			