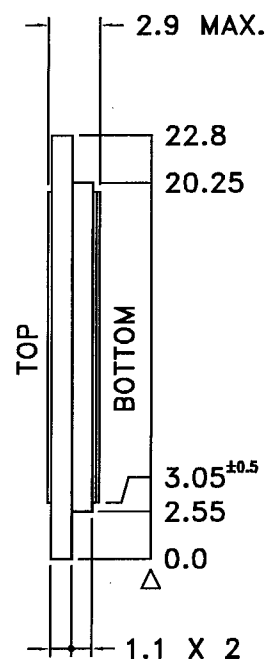
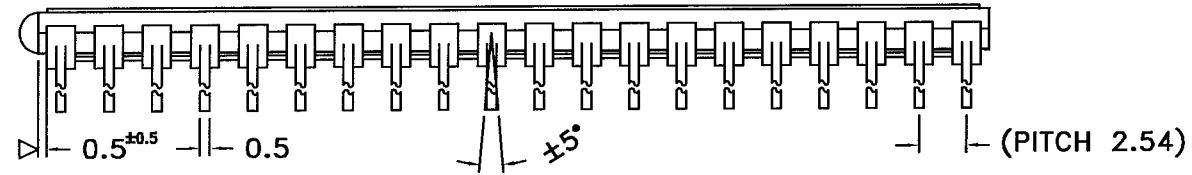
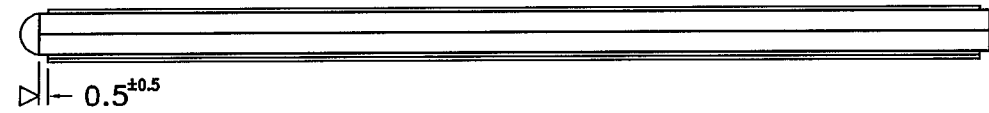
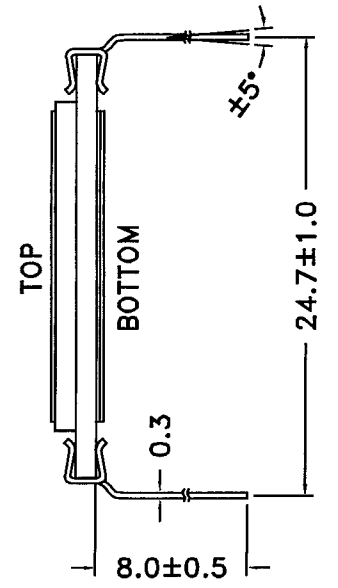


Zebra type



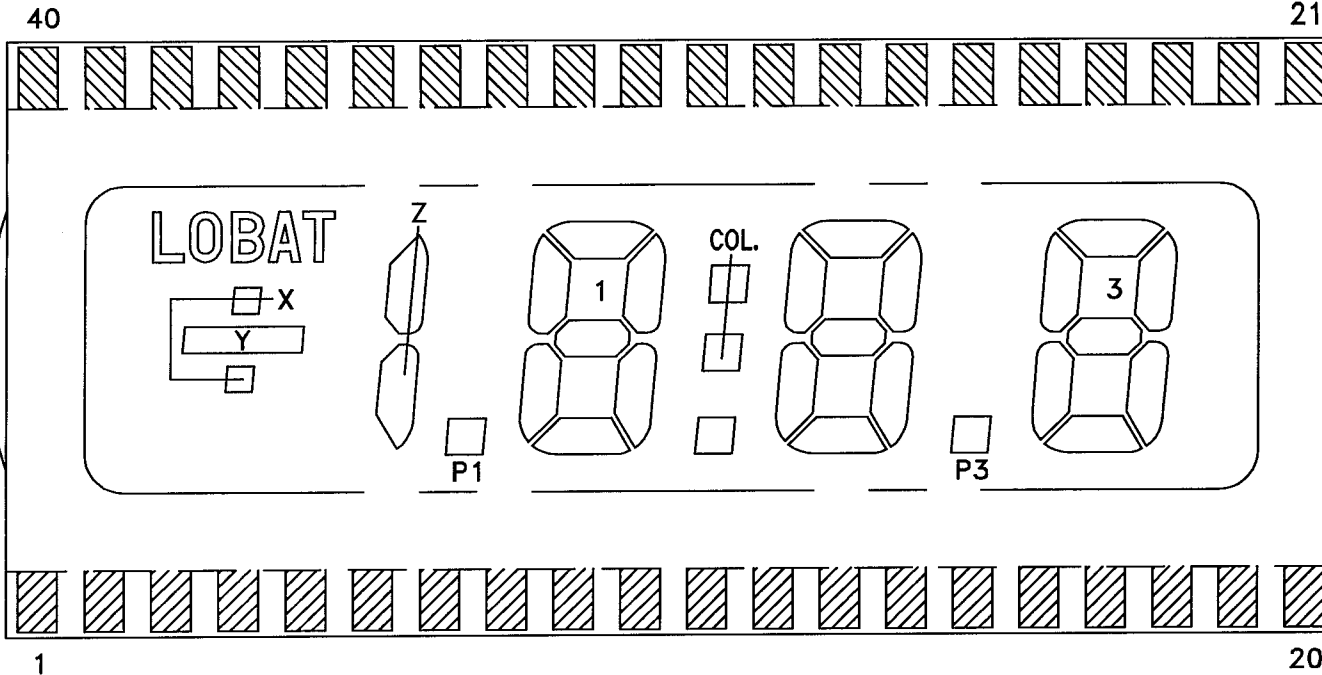
Pin type



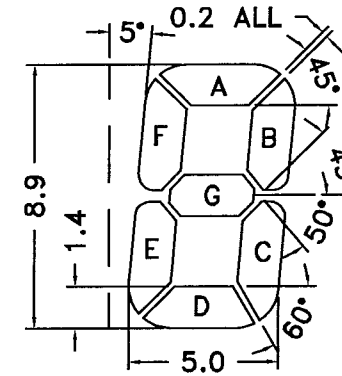
MECHANICAL TOL. ±0.2 UNLESS SPECIFIED

APPROVAL	COUNTER DRAWING	CUSTOMER REF.	REV.	DATE
COMPANY NAME	STANDARD		00	11-APR-16
APPROVED BY	<i>[Signature]</i>	SHEET 1 OF 2		
DATE	11 Apr 16	SCALE 5 : 2		

 PROJECTION <b>S5094</b>	APPROVAL	DRAFTING	CUSTOMER-SERVICE	ENGINEERING
	APPROVED BY	Y.WEN	<i>[Signature]</i>	<i>[Signature]</i>
	DATE	11Apr,16	11 Apr 16	11 Apr 2016
	DRAWN BY : SH.Q.TAN		UNIT IN mm	OUR REF. 00
	<b>✠ CLOVER DISPLAY LIMITED</b>			



PIN	COM	PIN	COM	PIN	COM
1	COM	15	2C	26	2F
2	Y	16	P3	27	2G
3	Z	17	3E	28	COL.
4~7	/	18	3D	29	1B
8	P1	19	3C	30	1A
9	1E	20	3B	31	1F
10	1D	21	3A	32	1G
11	1C	22	3F	33~37	/
12	P2	23	3G	38	LOBAT
13	2E	24	2B	39	X
14	2D	25	2A	40	COM



SCALE 4 : 1

TN TYPE

MODEL NO.	S5094A	S5094B	S5094C	S5094D	S5094E	S5094F	S5094G	S5094H
VIEWING DIRECTION	6 O'CLOCK	6 O'CLOCK	6 O'CLOCK	6 O'CLOCK	12 O'CLOCK	12 O'CLOCK	12 O'CLOCK	12 O'CLOCK
TEMPERATURE RANGE	OPERATE	0°C ~ 50°C	-20°C ~ 70°C	0°C ~ 50°C	-20°C ~ 70°C	0°C ~ 50°C	-20°C ~ 70°C	0°C ~ 50°C
	STORAGE	-10°C ~ 60°C	-30°C ~ 80°C	-10°C ~ 60°C	-30°C ~ 80°C	-10°C ~ 60°C	-30°C ~ 80°C	-10°C ~ 60°C
CONNECTOR	ZEBRA	ZEBRA	PIN	PIN	ZEBRA	ZEBRA	PIN	PIN
DISPLAY TYPE	POSITIVE / NEGATIVE REFLECTIVE / TRANFLECTIVE / TRANSMISSIVE							

OPERATION VOLTAGE	3.0 V
DRIVING METHOD	STATIC

REV.	REVISION RECORD	DATE	STANDARD	 PROJECTION	APPROVAL	DRAFTING	CUSTOMER-SERVICE	ENGINEERING
00	1st ISSUE	11-APR-16	CUSTOMER REF.		S5094	APPROVED BY	Y.WEN	<i>Yao</i>
				DATE		11Apr,16	11 Apr 16	11 Apr 2016
			SHEET 2 OF 2 SCALE 7 : 2	DRAWN BY :		SH.Q.TAN	UNIT IN mm	OUR REF. 00
					<b>☒ CLOVER DISPLAY LIMITED</b>			