



CLOVER DISPLAY LTD.

LCD MODULE SPECIFICATION

Model : CV24064B - _ _ - _ _ - _ _ - _ _

Revision	01
Engineering	Longson Yeung
Date	27 June 2013
Our Reference	4948

ADDRESS : 1st FLOOR, EFFICIENCY HOUSE, 35 TAI YAU STREET, SAN PO KONG,
KOWLOON, HONG KONG.

TEL : (852) 2341 3238 (SALES OFFICE) (852) 2342 8228 (GENERAL OFFICE)

FAX : (852) 2357 4237 (SALES OFFICE)

E-MAIL : cdl@cloverdisplay.com

URL : <http://www.cloverdisplay.com>

MODE OF DISPLAY**Display mode**

- STN : Yellow green
 Grey
 Blue (negative)
 FSTN positive
 FSTN negative

Display condition

- Reflective type
 Transflective type
 Transmissive type
 Others

Viewing direction

- 6 O' clock
 12 O' clock
 3 O' clock
 9 O' clock

LCD MODULE NUMBER NOTATION:

CV24064B- MY - S F - N 6 - T

| | | | | | | |
(1) (2) (3) (4) (5) (6) (7) (8)

* (1)---Model number of standard LCD Modules

* (2)---Backlight type

- N – No backlight
E – EL backlight
L – Side-lited LED backlight
M– Array LED backlight
C – CCFL

* (3)---Backlight color

- N – No backlight
A – Amber
B – Blue
O– Orange
W–White
Y – Yellow green

* (4)---Display mode

- T – TN
V – TN (Negative)
S – STN Yellow green
G – STN Grey
B – STN Blue (Negative)
F – FSTN
N – FSTN (Negative)

* (5)---Rear polarizer type

- R – Reflective
F – Transflective
T – Transmissive

* (6)---Temperature range

- N – Normal
W– Extended

* (7)---Viewing direction

- 6 – 6 O'clock
2 – 12 O'clock
3 – 3 O'clock
9 – 9 O'clock

* (8)---Special code for other requirements

(Can be omitted if not used)

- T – Touch panel (Analog)
P – Touch panel (Digital)

GENERAL DESCRIPTION

Display mode : 240 x 64 dots, graphic COB LCD module
 Interface : 8-bit parallel
 Driving method : 1/64 duty, 1/9 bias
 Controller IC : Raio RA6963 or equivalent
 For the detailed information, please refer to the IC specifications.

MECHANICAL DIMENSIONS

Item	Dimension	Unit	Item	Dimension	Unit
Outline Dimension (LED Backlight version)	180.0(L)x65.0(W)x16.0MAX(H)	mm	Dot Pitch	0.53(L)x0.53(W)	mm
Outline Dimension (No Backlight version)	180.0(L)x65.0(W)x9.1MAX(H)	mm	Dot Size	0.48(L)x0.48(W)	mm
Viewing Area	132.0(L)x39.0 (W)	mm			

CONNECTOR PIN ASSIGNMENT (CN1)

Pin No.	Symbol	Function	Pin No.	Symbol	Function
1	FG	Frame Ground	12	DB1	Data Bus Line
2	GND	Ground	13	DB2	Data Bus Line
3	VDD	Supply voltage for logic	14	DB3	Data Bus Line
4(*)	VO	Input voltage for LCD	15	DB4	Data Bus Line
5	/WR	Write enable	16	DB5	Data Bus Line
6	/RD	Read enable	17	DB6	Data Bus Line
7	/CE	Chip Enable	18	DB7	Data Bus Line
8	C/D	Register Select Input	19	FS	Font Select Input
9	NC	NO Connection	20	NC	NO Connection
10	/RST	Reset Signal	A(**)	BL+	Supply voltage for backlight (+VE)
11	DB0	Data Bus Line	K(**)	BL-	Supply voltage for backlight (-VE)

Note:

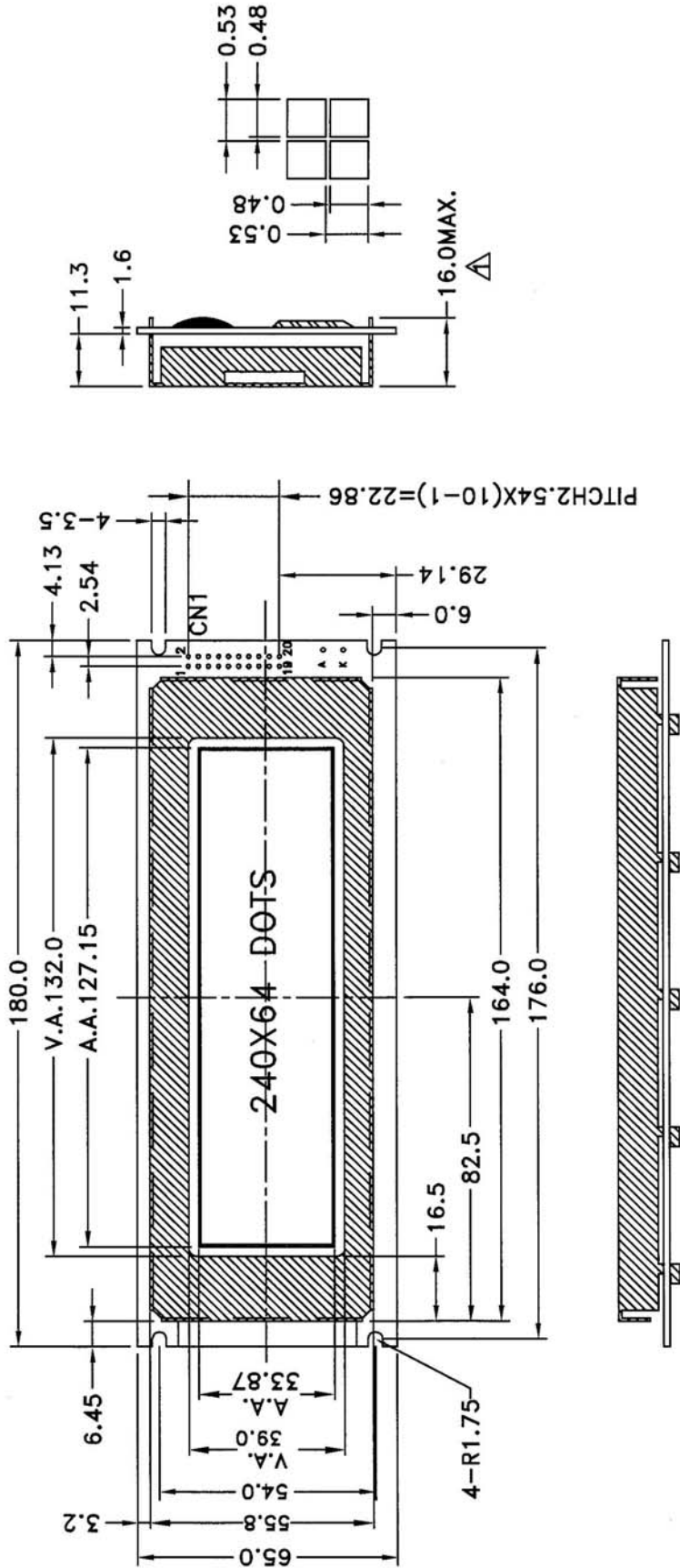
(*) No connection when using internal converter

(**) Used for LED backlight version

COUNTER DRAWING OF MODULE DIMENSION (LED BACKLIGHT)

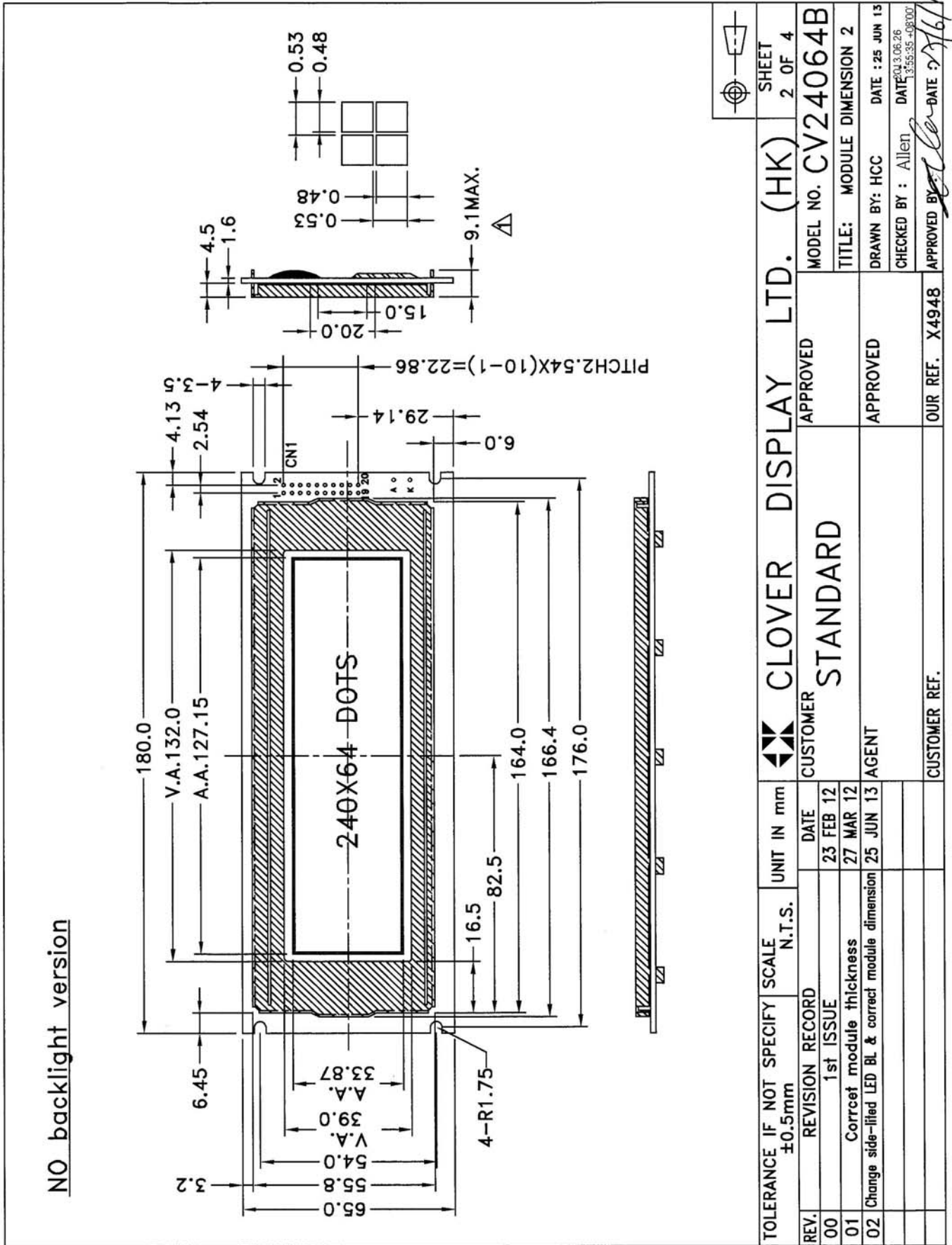
LED backlight version

MARK	REASON	PREPARED	DATE
△	Correct module thickness	Lognson	27 MAR 12
△	Change side-lit LED BL & correct module dimension	HCC	25 JUN 13
△			
△			



TOLERANCE IF NOT SPECIFY ±0.5mm		SCALE N.T.S.	UNIT IN mm	CLOVER DISPLAY LTD. (HK)		SHEET 1 OF 4
REV.	REVISION RECORD		DATE	CUSTOMER	APPROVED	MODEL NO. CV24064B
00	1st ISSUE		23 FEB 12	STANDARD		TITLE: MODULE DIMENSION 1
01	Correct module thickness		27 MAR 12		APPROVED	DRAWN BY: HCC DATE: 25 JUN 13
02	Change side-lit LED BL & correct module dimension		25 JUN 13	AGENT		CHECKED BY: Allep DATE: 2013.06.26 1355:05 +0800
				CUSTOMER REF.	OUR REF. X4948	APPROVED BY: <i>Allep</i> DATE: <i>27/6/13</i>

COUNTER DRAWING OF MODULE DIMENSION (NO BACKLIGHT)



COUNTER DRAWING OF PIN OUT & BLOCK DIAGRAM

CN1

PIN NO.	SYMBOL	FUNCTION
1	FG	Frame ground
2	GND	Ground
3	VDD	Supply voltage for logic
*4	VO	Input voltage for LCD
5	/WR	Write enable
6	/RD	Read enable
7	/CE	Chip enable
8	C/D	Register select input
9	NC	No connection
10	/RST	Reset signal
11	DB0	Data Bus
12	DB1	
13	DB2	
14	DB3	
15	DB4	
16	DB5	
17	DB6	
18	DB7	
19	FS	Font select input
20	NC	No connection
**A	BL+	Supply voltage for backlight (+)
**K	BL-	Supply voltage for backlight (-)

NOTE :

- * - Pin 4 no connection when using internal converter;
- ** - A, K pins are used for LED backlight version;

TOLERANCE IF NOT SPECIFY ±0.5mm		SCALE N.T.S.	UNIT IN mm	CLOVER DISPLAY LTD. (HK)		SHEET 3 OF 4
REV.	REVISION RECORD	DATE	CUSTOMER	APPROVED		MODEL NO. CV24064B
00	1st ISSUE	23 FEB 12	STANDARD	APPROVED		TITLE: PIN OUT & BLOCK DIAGRAM
01	Correct module thickness	27 MAR 12	AGENT	APPROVED		DRAWN BY: HCC DATE: 25 JUN 13
02	Change side-filled LED BL & correct module dimension	25 JUN 13		APPROVED		CHECKED BY: Allen DATE: 2013.06.28 13:55:17
				OUR REF. X4948		APPROVED BY: <i>Allen</i> DATE: 2013.06.28 13:55:17
				CUSTOMER REF.		

ELECTRICAL CHARACTERISTICS

Conditions: VSS=0V, @Ta=25°C

Item	Symbol	MIN.	TYP.	MAX.	Unit
Supply Voltage	VDD	4.75	5.0	5.25	V
Supply Current	IDD	—	12.73	19.1	mA
Input voltage for LCD (*)	V0	-11.8	-11.0	-10.2	V
“H”Level Input Voltage	VIH	2.2VDD	—	VDD	V
“L”Level Input Voltage	VIL	—	—	0.8VDD	V

Note (*): There is tolerance in optimum LCD driving voltage during production and it will be within the specified range.

Side-lited LED:

Constant voltage driving:

Item	Symbol	MIN.	TYP.	MAX.	Unit	Condition
White	I _{BL}	—	104	120	mA	V _{BL} =5.0V

Array LED:

Constant current driving:

Item	Symbol	MIN.	TYP.	MAX.	Unit	Condition
Yellow Green	V _{BL}	—	8.0	8.4	V	I _{BL} =270mA

ABSOLUTE MAXIMUM RATINGS

Please make sure not to exceed the following maximum rating values under the worst application conditions

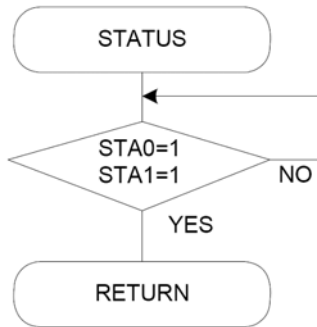
Item	Symbol	Rating (for normal temperature)	Rating (for wide temperature)	Unit
Supply Voltage	VDD	-0.3 to 7.0	-0.3 to 7.0	V
Input Voltage	V _T	-0.3 to VDD +0.3	-0.3 to VDD +0.3	V
Operating Temperature	T _{opr}	0 to 50	-20 to 70	°C
Storage Temperature	T _{stg}	-10 to 60	-30 to 80	°C

FLOWCHART OF COMMUNICATIONS WITH MPU

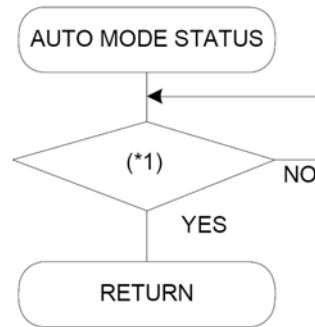
Status Read

Status Checking Flow

a)



b)

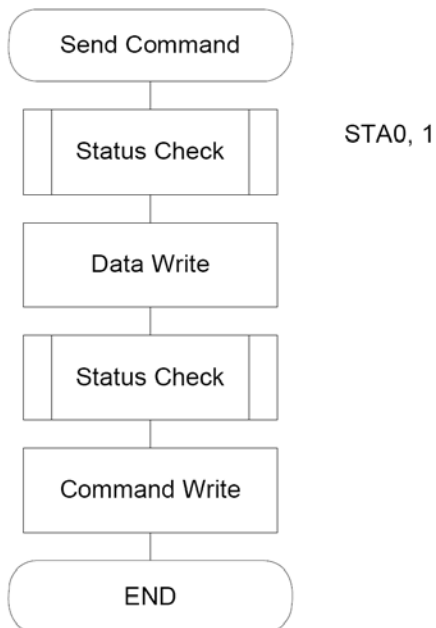


(*1)
STA2=1 (Read)
or
STA3=1 (Write)

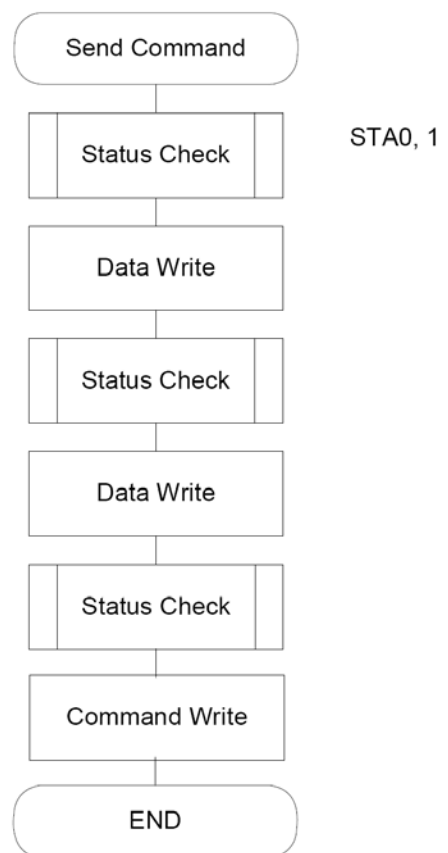
Data Set

Procedure for Sending a Command

a) The case of 1 data



b) The case of 2 data



INSTRUCTIONS

Command	Code	D1	D2	Function
Registers Setting	00100001	X address	Y address	Set cursor pointer
	00100010	Data	00h	Set Offset Register
	00100100	Low address	High address	Set Address pointer
Set Control Word	01000000	Low address	High address	Set Text Home Address
	01000001	Columns	00h	Set Text Area
	01000010	Low address	High address	Set Graphic Home Address
	01000011	Columns	00h	Set Graphic Area
Mode Set	1000X000	--	--	OR mode
	1000X001	--	--	EXOR mode
	1000X011	--	--	AND mode
	1000X100	--	--	Text Attribute mode
	10000XXX	--	--	Internal CG ROM mode
	10001XXX	--	--	External CG RAM mode
Display Mode	10010000	--	--	Display off
	1001XX10	--	--	Cursor on, blink off
	1001XX11	--	--	Cursor on, blink on
	100101XX	--	--	Text on, graphic off
	100110XX	--	--	Text off, graphic on
	100111XX	--	--	Text on, graphic on
Cursor Pattern Select	10100000	--	--	1-line cursor
	10100001	--	--	2-line cursor
	10100010	--	--	3-line cursor
	10100011	--	--	4-line cursor
	10100100	--	--	5-line cursor
	10100101	--	--	6-line cursor
	10100110	--	--	7-line cursor
	10100111	--	--	8-line cursor
Data Read/Write	11000000	Data	--	Data Write and Increment ADP
	11000001	--	--	Data Read and Increment ADP
	11000010	Data	--	Data Write and Decrement ADP
	11000011	--	--	Data Read and Decrement ADP
	11000100	Data	--	Data Write and Non-variable ADP
	11000101	--	--	Data Read and Non-variable ADP
Data auto Read/Write	10110000	--	--	Set Data Auto Write
	10110001	--	--	Set Data Auto Read
	10110010	--	--	Auto Reset
Screen Peek	11100000	--	--	Screen Peek
Screen Copy	11101000			Screen Copy
Bit Set/Reset	11110XXX	--	--	Bit Reset
	11111XXX	--	--	Bit Set
	1111X000	--	--	Bit 0 (LSB)
	1111X001	--	--	Bit 1
	1111X010	--	--	Bit 2
	1111X011	--	--	Bit 3
	1111X100	--	--	Bit 4
	1111X101	--	--	Bit 5
	1111X110	--	--	Bit 6
	1111X111	--	--	Bit 7 (MSB)
Screen Reverse	11010000	Data	--	Whole screen reverse

				Data Bit 0 0 : Normal 1 : Reverse
Blink Time	01010000	Data	Don't care (Note)	If Frame = 60Hz Data Bit 2:0 000 : 0.066s 001 : 0.25s 010 : 0.5s (Default) 011 : 0.75s 100 : 1s 101 : 1.25s 110 : 1.5s 111 : 2s
Cursor Auto Moving	01100000	Data	Don't care (Note)	Data Bit 0 0 : Disable.(Default) 1 : Enable.
CGROM Font Select	01110000	Data	Don't care (Note)	Data Bit 1:0 00 : Do not care.(Default) 01 : Do not care. 10 : CGROM Font-01. 11 : CGROM Font-02.

Note : In these functions, it must be sent two data before sending the command, but the contents of the second datum (D2) can be any values.

ADDRESS CONFIGURATION OF DISPLAY DATA RAM

Set Control Word

< Table 6-7 >

Code	Hex.	Function	D1	D2
01000000	40h	Set Text Home Address	Low Address	High Address
01000001	41h	Set Text Area	Columns	00h
01000010	42h	Set Graphic Home Address	Low Address	High Address
01000011	43h	Set Graphic Area	Columns	00h

The home address and column size are defined by this command.

6-7-1 Set Text Home Address

The starting address in the external display RAM for text display is defined by this command. The text home address indicates the leftmost and uppermost position.

The Relationship between Display RAM Address and Display Position

< Table 6-8 >

TH	TH + CL
TH + TA	TH + TA + CL
(TH + TA) + TA	TH + 2TA + CL
(TH + 2TA) + TA	TH + 3TA + CL
⋮	⋮	⋮
⋮	⋮	⋮
⋮	⋮	⋮
⋮	⋮	⋮
TH + (n-1) TA	TH + (n-1) TA + CL

TH: Text home address

TA: Text area number (columns)

CL: Columns are fixed by hardware (pin-programmable).

(Example)

Text Home Address : 0000h
Text Area : 0020h
MD2=H, MD3=H : 32 Columns
DUAL =H, MDS=L, MD0=L, MD1=H : 4 Lines

< Table 6-9 >

0000h	0001h	001Eh	001Fh
0020h	0021h	003Eh	002Fh
0040h	0041h	005Eh	005Fh
0060h	0061h	007Eh	007Fh

: Set Graphic Home Address

The starting address of the external display RAM used for graphic display is defined by this Command. The graphic home address indicates the leftmost and uppermost position.

The Relationship between External Display RAM Address and Display Position

< Table 6-10 >

GH	GH + CL
GH + GA	GH + GA + CL
(GH + GA) + GA	GH + 2GA + CL
(GH + 2GA) + GA	GH + 3GA + CL
⋮	⋮	⋮
⋮	⋮	⋮
⋮	⋮	⋮
⋮	⋮	⋮
GH + (n-1) GA	GH + (n-1) GA + CL

GH: Graphic Home Address

GA: Graphic Area Number (columns)

CL: Columns are fixed by hardware (pin-programmable).

(Example)

Graphic Home Address : 0000h
 Graphic Area : 0020h
 MD2=H, MD3=H : 32 columns
 $\overline{\text{DUAL}} = \text{H}$, MDS=L, MD0=H, MD1=H : 2 lines

< Table 6-11 >

0000h	0001h	001Eh	001Fh
0020h	0021h	003Eh	003Fh
0040h	0041h	005Eh	005Fh
0060h	0061h	007Eh	007Fh
0080h	0081h	009Eh	009Fh
00A0h	00A1h	00BEh	00BFh
00C0h	00C1h	00DEh	00DFh
00E0h	00E1h	00FEh	00FFh
0100h	0101h	011Eh	011Fh
0120h	0121h	013Eh	013Fh
0140h	0141h	015Eh	015Fh
0160h	0161h	017Eh	017Fh
0180h	0181h	019Eh	019Fh
01A0h	01A1h	01BEh	01BFh
01C0h	01C1h	01DEh	01DFh
01E0h	01E1h	01FEh	01FFh

Set Text Area

The display columns are defined by the hardware setting. This command can be used adjust the columns of the display.

(Example)

LCD Size : 20 columns, 4 lines
 Text Home Address : 0000h
 Text Area : 0014h
 MD2=H, MD3=H : 32 columns
 DUAL =H , MDS =L, MD0= L, MD1=H : 4 lines

< Table 6-12 >

0000	0001	0013	0014	001F
0014	0015	0027	0028	0033
0028	0029	003B	003C	0047
003C	003D	004F	0050	005B



Set Graphic Area

The display columns are defined by the hardware setting. This command can be used to adjust the columns of the graphic display.

(Example)

LCD Size : 20 columns, 2 lines
 Graphic Home Address : 0000h
 Graphic Area : 0014h
 MD2=H, MD3=H : 32 columns
 $\overline{\text{DUAL}} = \text{H}$, MDS=L MD0=H, MD1=H : 2 lines

< Table 6-13 >

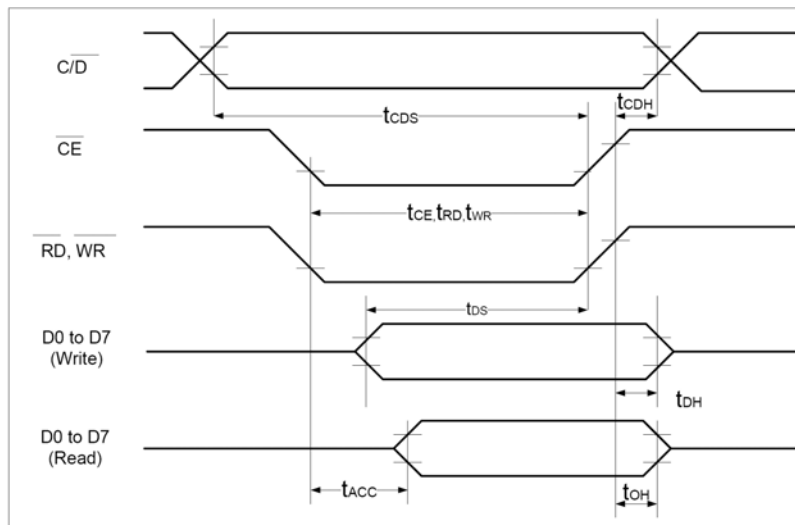
0000	0001	0013	0014	001F
0014	0015	0027	0028	0033
0028	0029	003B	003C	0047
003C	003D	004F	0050	005B
0050	0051	0063	0064	006F
0064	0065	0077	0078	0083
0078	0079	008B	008C	0097
008C	008D	009F	00A0	00AB
00A0	00A1	00B3	00B4	00BF
00B4	00B5	00C7	00C8	00D3
00C8	00C9	00DB	00DC	00E7
00DC	00DD	00EF	00F0	00FD
00F0	00F1	0103	0104	011F
0104	0105	0127	0128	0123
0128	0129	013B	013C	0147
013C	013D	014F	0150	015B



If the graphic area setting is set to match the desired number of columns on the LCD, the addressing scheme will be automatically modified so that the start address of each line equals the end address of the previous line +1.

TIMING CHARACTERISTICS OF COMPATIBLE CONTROLLER CHIPS

MPU Interface Timing



< Figure 8-1 >

< Table 8-3 >

($V_{DD}=+5V\pm 5\%$, $GND=0V$, $T_a = -20$ to $+70^\circ C$)

Item	Symbol	Test Conditions	Min.	Max.	Unit
C/ \overline{D} Set Up Time	t_{CDS}	--	100	--	ns
C/ \overline{D} Hold Time	t_{CDH}	--	10	--	ns
\overline{CE} , \overline{RD} , \overline{WR} Pulse Width	t_{CE}, t_{RD}, t_{WR}	--	80	--	ns
Data Set Up Time	t_{DS}	--	80	--	ns
Data Hold Time	t_{DH}	--	40	--	ns
Access Time	t_{ACC}	--	--	150	ns
Output Hold Time	t_{OH}	--	10	50	ns

ELECTRO-OPTICAL CHARACTERISTICS

MEASURING CONDITION: POWER SUPPLY = $V_{OP} / 64 \text{ Hz}$
 TEMPERATURE = $23 \pm 5 \text{ }^\circ\text{C}$
 RELATIVE HUMIDITY = $60 \pm 20 \%$

ITEM	SYMBOL	UNIT	TYP. TN	TYP. STN
RESPONSE TIME	T_{on}	ms	100	200
	T_{off}	ms	80	200
CONTRAST RATIO	Cr	-	10	10
VIEWING ANGLE (6 O'clock) (Cr \geq 2)	V3:00	$^\circ$	20	20
	V6:00	$^\circ$	20	40
	V9:00	$^\circ$	20	20
	V12:00	$^\circ$	10	10

THE ELECTRO-OPTICAL CHARACTERISTICS ARE MEASURED VALUE BUT NOT GUARANTEED ONES.

RELIABILITY OF LCD MODULE

ITEM	TEST CONDITION FOR NORMAL TEMPERATURE	TEST CONDITION FOR WIDE TEMPERATURE	TIME
High temperature operating	50 $^\circ\text{C}$	70 $^\circ\text{C}$	240 hours
Low temperature operating	0 $^\circ\text{C}$	-20 $^\circ\text{C}$	240 hours
High temperature storage	60 $^\circ\text{C}$	80 $^\circ\text{C}$	240 hours
Low temperature storage	-10 $^\circ\text{C}$	-30 $^\circ\text{C}$	240 hours
Temperature-humidity storage	40 $^\circ\text{C}$ 90% R.H.	60 $^\circ\text{C}$ 90% R.H.	96 hours
Temperature cycling	-10 $^\circ\text{C}$ to 60 $^\circ\text{C}$ 30 Min Dwell	-30 $^\circ\text{C}$ to 80 $^\circ\text{C}$ 30 Min Dwell	5 cycles

QUALITY STANDARD OF LCD MODULE

1.0	Sampling Method		
	Sampling Plan : MIL STD 105 E Class of AQL : Level II/Single Sampling Critical : 0.25% Major 0.65% Minor 1.5%		
2.0	Defect Group	Failure Category	Failure Reasons
	Critical Defect 0.25%(AQL)	Malfunction	Open Short Burnt of dead component Missing part/improper part P.C.B. Broken
	Major Defect 0.65%(AQL)	Poor Insulation	Potential short High current Component damage or scratched or Lying too close improper coating
Poor Conduction		Damage joint Wrong polarity Wrong spec. part Uneven/intermittent contact Loose part Copper peeling Rust or corrosion or dirty	
Minor Defect 1.5%(AQL)	Cosmetic Defect	Minor scratch Flux residue Thin solder Poor plating Poor marking Crack solder Poor bending Poor packing Wrong size	

HANDLING PRECAUTIONS

(1) CAUTION OF LCD HANDLING & CLEANING

Use soft cloth with solvent (recommended below) to clean the display surface and wipe lightly.
- Isopropyl alcohol, ethyl alcohol, trichlorotrifluoroethane

Do not wipe the display surface with dry or hard materials that will damage the polarizer surface. Do not use the following solvent;
-water, ketone, aromatics

(2) CAUTION AGAINST STATIC CHARGE

The LCD modules use CMOS LSI drivers, so customers are recommended that any unused input terminal would be connected to V_{DD} or V_{SS} , do not input any signals before power is turned on, and ground your body, work/assembly areas, assembly equipment to protect against static electricity.

(3) PACKAGING

Avoid intense shock and falls from a height and do not operate or store them exposed direct to sunshine or high temperature/humidity.

(4) CAUTION FOR OPERATION

It is an indispensable condition to drive LCD's within the specified voltage limit since the higher voltage than the limit causes the shorter LCD life. The use of direct current drive should be avoided because an electrochemical reaction due to direct current causes LCD's undesirable deterioration.

Response time will be extremely delayed at low temperature, and LCD's show dark color at high temperature. However those phenomena do not mean malfunction or out of order with LCD's.

Some font will be abnormally displayed when the display area is pushed hard during operation. But it resumes normal condition after turning off once.

(5) SAFETY

For crash damaged or unnecessary LCD's, it is recommended to wash off liquid crystal by either of solvents such as acetone and ethanol and should be burned up later.

When any liquid leaked out of a damaged glass cell comes in contact with your hands, wash it off with soap and water.

WARRANTY

CLOVER will replace or repair any of her LCD module in accordance with her LCD specification for a period of one year from date of shipment. The warranty liability of Clover is limited to repair and/or replacement. Clover will not be responsible for any subsequent or consequential event.