

# INT276 LN® Level monitor

## INT276 LN®



INT276 LN

### Application

The optical level monitor INT276 LN is employed for contactless single point measurement of fluid levels, e.g. on compressors, pumps, tanks, etc. The solution consists of a screw-in part and an evaluation unit. The screw-in part for optical level monitoring is permanently built-in at the measuring point. The electronic evaluation unit can be mounted or replaced without opening the circuit of the medium to be monitored.

### Functional description

Light pulses of the device are refracted in fluids and reflected in gaseous environments. This allows the INT276 LN to detect the fluid level reliably.

After the supply voltage has been connected and the switch delay has elapsed, the level monitoring is active.

Time-delayed reaction prevents switching errors that can be caused by temporary fluctuations of the fluid.




If the level is too low or if there is an error, the relay drops out.

Once the correct level has been reached again or the error has been rectified, the relay energises again.

The potential-free, change-over contact can be looped into a safety circuit without an auxiliary relay.


An integrated own monitoring system ensures high reliability; an installation check monitors the proper assembly.

A built-in LED signals the current status (see flash code).

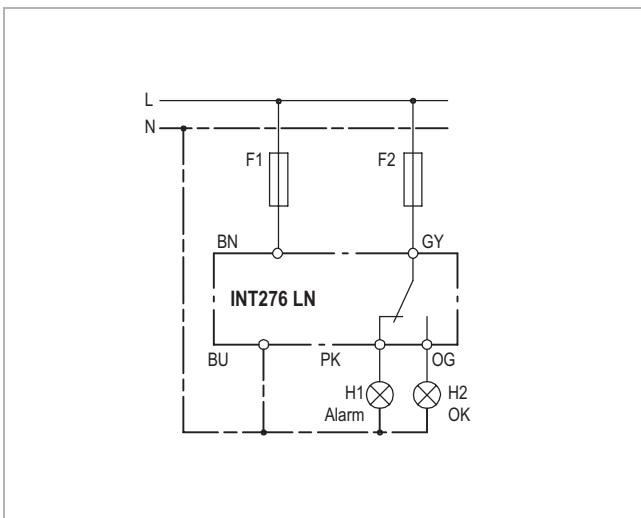
-  Level good
-  Level missing
-  Internal error, voltage supply too low or faulty assembly

### Installation instructions

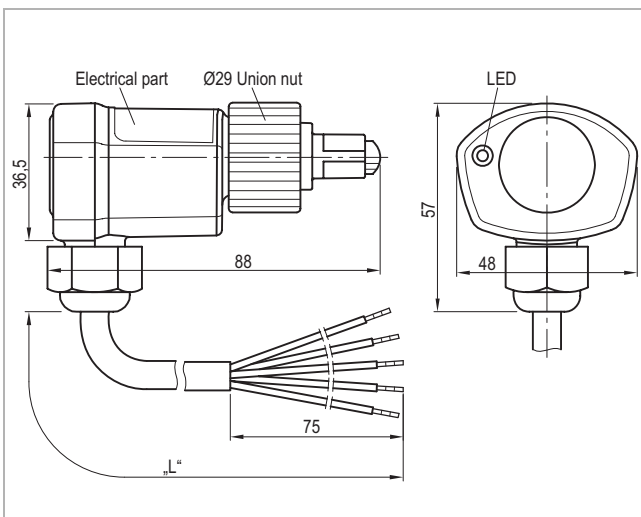
1. Ensure cleanliness of thread and glass of the screw-in part.
2. Mount evaluation unit into the screw-in part. The cable outlet has to point downwards here.
3. Tighten the coupling ring hand tight.

 The mounting, maintenance and operation are to be carried out by an electrician. The valid European and national standards for connecting electrical equipment have to be observed.

See back side for further specifications



Wiring diagram



Dimensions in mm

Technical changes reserved



# INT276 LN<sup>®</sup> Level monitor

## INT276 LN<sup>®</sup>

### Technical specifications

|                                     |  |
|-------------------------------------|--|
| Supply voltage                      | AC 50/60Hz 230V ±10% 3VA   |
| Permitted ambient temperature       | -30...+60°C  |
| Medium temperature                  | Max. +120°C (<16000h)<br>Max. +100°C   |
| Permitted rel. humidity             | 10-95% r. h. no condensation   |
| Switch delay                        |  |
| - After applying the supply voltage | 3s ±1s   |
| - Level missing or fault            | 5s ±2s   |
| - Level good and no fault           | 5s ±2s   |
| Relay                               |  |
| - Contact                           | AC 240V 2.5A C300<br>at least AC/DC 24V 20mA   |
| - Mechanical service life           | Approx. 1 million switching cycles   |
| Protection class acc. to EN 60529   | IP54 in mounted condition  |
| Connection type                     | Cable 5 x AWG 18/7<br>L=4m   |
| Housing material                    | PA glass-fibre-reinforced  |
| Mounting                            | Union nut (torque max. 10Nm)   |
| Dimensions                          | Refer to dimensions in mm  |
| Weight                              | Approx. 460g   |
| Check base                          | EN 61000-6-2, EN 61000-6-3<br>EN 61010-1<br>Overvoltage category II<br>Pollution level 2 |
| Approval                            | UL File No. E222056 cUR <sub>us</sub>  |

### Order data

|   |  |
|---|--|
| INT276 LN Level monitor                 | <b>52 S 476 S64</b>                                    |
| Accessories and application information | see <a href="http://www.kriwan.com">www.kriwan.com</a> |