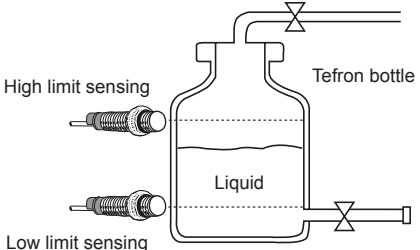
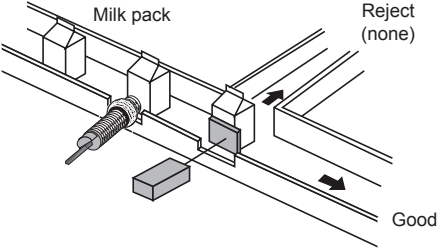
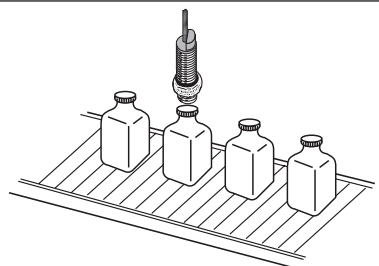
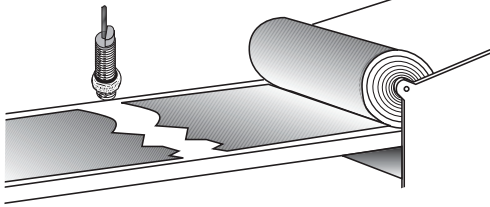
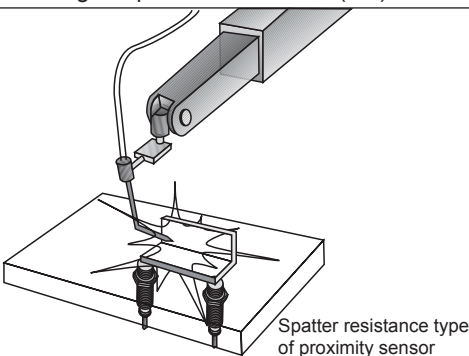
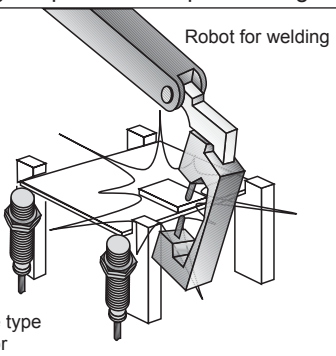
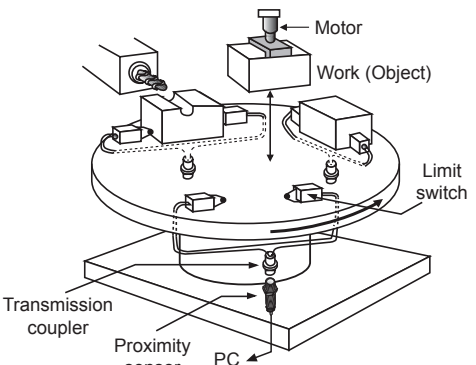
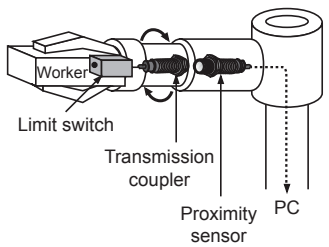
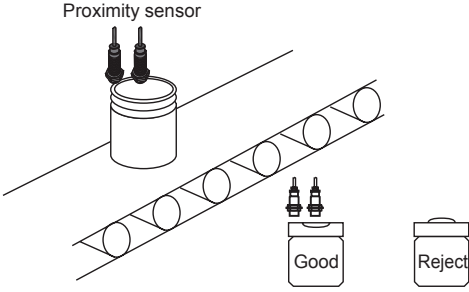
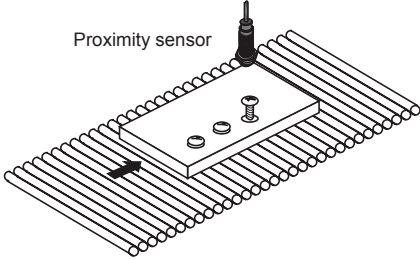
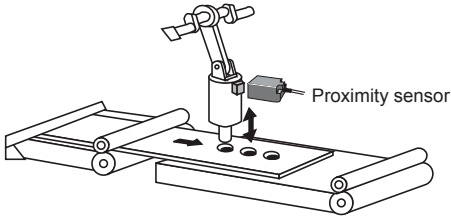
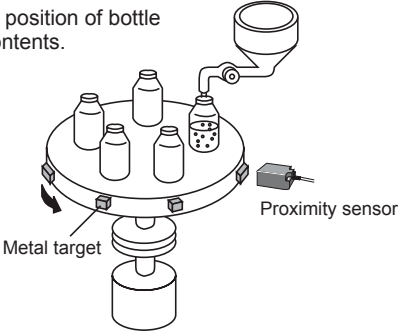
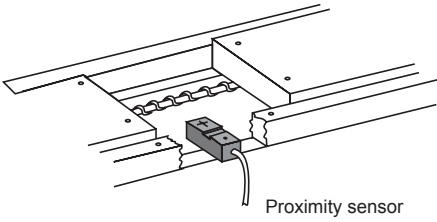
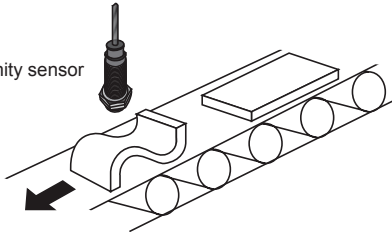
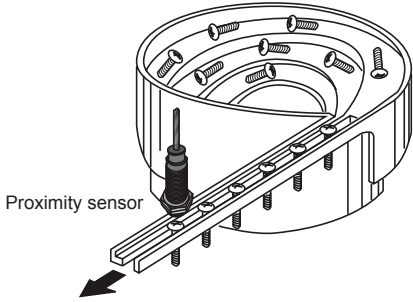
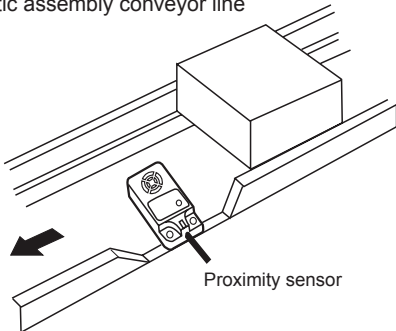


Applications

■ Applications

<p>Sensing liquid level (capacitive type)</p> <p>It is able to detect the level of liquid inside of bottle from outside.</p> 	<p>Sensing milk in paper pack (capacitive type)</p> <p>It is able to detect milk in side of pack by capacitive proximity sensor.</p> 
<p>Sensing caps of bottles (capacitive type)</p> 	<p>Sensing band defective (capacitive type)</p> 
<p>Fixing the point to be welded (arc)</p>  <p>Spatter resistance type of proximity sensor</p>	<p>Checking the position for spot welding</p>  <p>Spatter resistance type of proximity sensor</p>
<p>Turning table (transmission coupler)</p> <p>It detects the work is set on turning table and send a signal.</p> 	<p>Transmitting the signal of checking (transmission coupler)</p> <p>It detects if the robot arm is holding the work and send a signal.</p> 

■ Applications

<p>Sensing condition of cans</p> 	<p>Measuring the height of screws</p> <p>Sensing the status of screw</p> 
<p>Controlling a press</p> <p>Making a hole on panel by constant distance</p> 	<p>Positioning control</p> <p>Sensing the position of bottle for fill the contents.</p> 
<p>Sensing position of target</p> <p>Automatic assembly conveyor line</p> 	<p>Sensing incorrect shape of target</p> 
<p>Counting screws</p> 	<p>Sensing position of target (PFI 25)</p> <p>Automatic assembly conveyor line</p> 

(A) Photoelectric Sensors

(B) Fiber Optic Sensors

(C) Door/Area Sensors

(D) Proximity Sensors

(E) Pressure Sensors

(F) Rotary Encoders

(G) Connectors/ Connector Cables/ Sensor Distribution Boxes/Sockets

(H) Temperature Controllers

(I) SSRs / Power Controllers

(J) Counters

(K) Timers

(L) Panel Meters

(M) Tacho / Speed / Pulse Meters

(N) Display Units

(O) Sensor Controllers

(P) Switching Mode Power Supplies

(Q) Stepper Motors & Drivers & Controllers

(R) Graphic/ Logic Panels

(S) Field Network Devices

(T) Software