

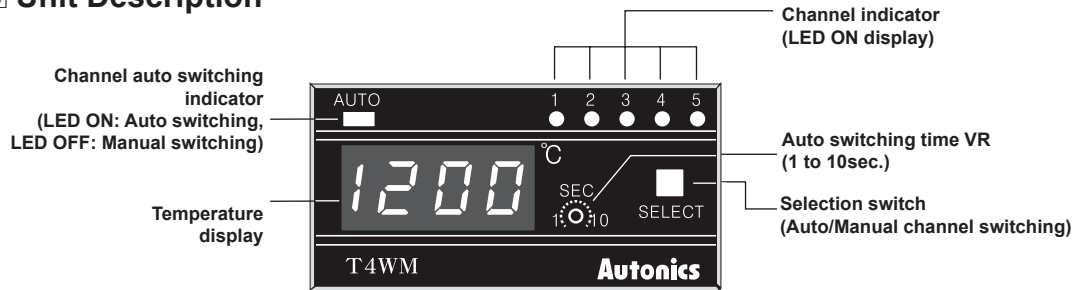
T4WM Series

Specifications

| | | |
|-------------------------|--|---|
| Series | T4WM | |
| Power supply | 110/220VAC 50/60Hz | |
| Allowable voltage range | 90 to 110% of rated voltage | |
| Power consumption | Max. 3VA | |
| Display method | 7 Segment LED method | |
| Character size (W×H) | 9.8×14.2mm | |
| Display accuracy | F.S. ±0.5% rdg ±1digit | |
| Input sensor | Thermocouples: K (CA), J (IC) / RTD: DPT100Ω | |
| Input line resistance | Thermocouples: Max. 100Ω / RTD: Allowable line resistance max. 5Ω per a wire | |
| Connectable sensors | 5EA (thermocouple, RTD are not used as mixed) | |
| Channel switch | Selectable Auto/Manual switching | |
| Auto switching time | Variable 1 to 10 sec. (by built-in VR) | |
| Insulation resistance | Min. 100MΩ (at 500VDC megger) | |
| Dielectric strength | 2,000VAC 50/60Hz for 1 min. | |
| Noise strength | ±1kV the square wave noise (pulse width: 1μs) by the noise simulator | |
| Vibration | Mechanical | 0.75mm amplitude at frequency of 10 to 55Hz (for 1 min.) in each X, Y, Z direction for 1 hour |
| | Malfunction | 0.5mm amplitude at frequency of 10 to 55Hz (for 1 min.) in each X, Y, Z direction for 10 min. |
| Shock | Mechanical | 300m/s ² (approx. 30G) in each X, Y, Z direction for 3 times |
| | Malfunction | 100m/s ² (approx. 10G) in each X, Y, Z direction for 3 times |
| Environment | Ambient temperature | -10 to 50°C, storage:-25 to 65°C |
| | Ambient humidity | 35 to 85%RH |
| Unit weight | Approx. 322g | |

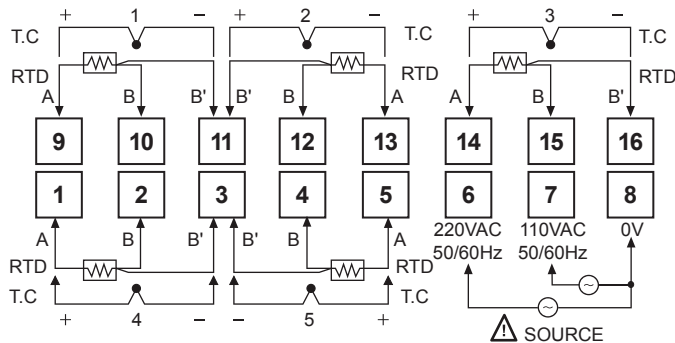
※Environment resistance is rated at no freezing or condensation.

Unit Description

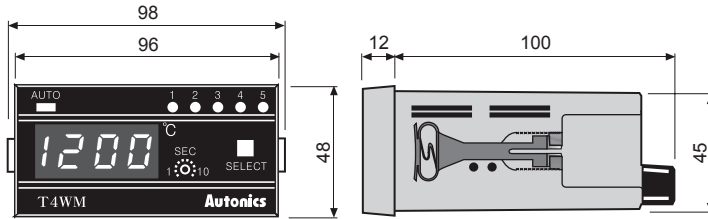


Connections

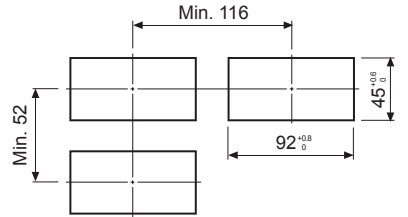
※RTD: DPT100Ω (3-wire type) ※Thermocouple: K, J



■ Dimensions



● Panel cut-out (unit: mm)



- (A) Photoelectric Sensors
- (B) Fiber Optic Sensors
- (C) Door/Area Sensors
- (D) Proximity Sensors
- (E) Pressure Sensors
- (F) Rotary Encoders
- (G) Connectors/ Sockets
- (H) Temperature Controllers
- (I) SSRs / Power Controllers
- (J) Counters
- (K) Timers
- (L) Panel Meters
- (M) Tacho / Speed / Pulse Meters
- (N) Display Units
- (O) Sensor Controllers
- (P) Switching Mode Power Supplies
- (Q) Stepper Motors & Drivers & Controllers
- (R) Graphic/ Logic Panels
- (S) Field Network Devices
- (T) Software

■ Channel Switching

◎ Auto/Manual channel switching

| Auto switching | Select switch | Manual switching |
|--|---------------|---|
| When pressing this for 3sec. and the channel auto switching indicator turns ON and channels switch automatically. (AUTO LED: ON) | | When press this once, the channel indicator turns ON and channels switch manually (AUTO LED: OFF) |

◎ Auto channel switching

- The temperature of each channel is displayed during auto switching time and switching to the next channel automatically.
- Auto switching time is variable up to 10 sec. by the front VR.
- When it is auto channel switching, the channel auto switching indicator turns ON.

◎ Manual channel switching

Whenever touching selection switch (SELECT), channel switches.

When a channel indicator turns ON, the temperature of the channel is displayed and whenever touching the switch, it moves to next channel.

■ Selection Of Input Sensor Number By Internal DIP Switch

Max. 5 different sensors can be connected but do not use thermocouple and Pt100Ω together.

| Sensor | 2 | 3 | 4 | 5 |
|------------|-----------------------|-----------------------|-----------------------|-----------------------|
| DIP switch | ON 3 2 1 OFF ■ ■ ■ | ON 3 2 1 OFF ■ ■ ■ | ON 3 2 1 OFF ■ ■ ■ | ON 3 2 1 OFF ■ ■ ■ |

■ Memory Protection

When the power fails, the data value will be protected for 3 months. (The battery must be charged fully.)

