

7 Segment Display Unit With High Bright Characters (D1SC-N : W32×H57mm, D1SA Series: W11×H22mm)

■ Features

- Selectable decimal (0 to 9) or hexadecimal (0 to 9, A to F) indication code
 Selectable positive or negative input logic
 Selectable serial or parallel data input method
- 7 Segment, red/green display (D1SA Series)
- Power source: 12-24VDC
- Wide range on signal input voltage level
 (Low: Max. 0-1.2VDC, High: 4.5-24VDC)
- Easy multi-stages connection (D1SA Series)
- Zero Blanking function

■ Applications

- Display for PLC
- Display for computer
- Various display

⚠ Please read "Caution for your safety" in operation manual before using.

■ Specifications

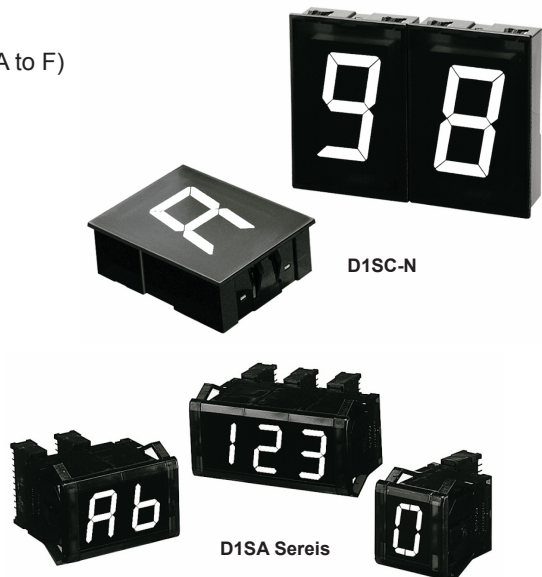
Model	D1SC-N	D1SA-RN	D1SA-GN ^{※1}
Display method	7 Segment LED display (red)		7 Segment LED display (green)
Power supply	12-24VDC		
Allowable voltage range	90 to 110% of rated voltage		
Current consumption	Max. 70mA	Max. 35mA	
Character size	W32 × H57mm	W11×H22mm	
Display character ^{※2}	• Decimal number: 0 to 9, decimal point • Hexadecimal number: 0 to 9, A to F, decimal point		
Input	• Parallel: Parallel 4-bit data, latch, zero blanking, decimal point • Serial: Serial 4-bit or 5-bit data, clock, zero blanking, latch, decimal point (for 4-bit input)		
Input resistance	12kΩ	20kΩ	
Input level	High: 4.5-24VDC, Low: 0-1.2VDC		
Max. response CLOCK	Max. 3kHz		
Output	Data output (serial input), zero blanking output		
Input logic	Selectable positive logic (PNP) or negative logic (NPN) (D1SC-N: by the function set switch, D1SA Series: by inner soldering)		
Noise strength	±300V the square wave noise (pulse width: 1us) by the noise simulator		
Environment	Ambient temperature	0 to 60°C, storage: -10 to 85°C	
	Ambient humidity	35 to 85%RH	
Accessory	Housing[5264-10], Terminal[5263 (PBT)], Sub-PCB for multi-stage connection	Connector (CT-10S), Cap	
Unit weight	Approx. 100g	Approx. 22g (including right/left caps)	

※1: It is option

※2: Only D1SC-N supports Minus displaying.

※The max. response CLOCK is when the duty ratio is 1:1.

※Environment resistance is rated at no freezing or condensation.

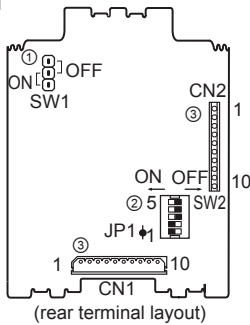


(A)	Photo-electric Sensors
(B)	Fiber Optic Sensors
(C)	Door/Area Sensors
(D)	Proximity Sensors
(E)	Pressure Sensors
(F)	Rotary Encoders
(G)	Connectors/ Sockets
(H)	Temperature Controllers
(I)	SSRs / Power Controllers
(J)	Counters
(K)	Timers
(L)	Panel Meters
(M)	Tacho / Speed / Pulse Meters
(N)	Display Units
(O)	Sensor Controllers
(P)	Switching Mode Power Supplies
(Q)	Stepper Motors & Drivers & Controllers
(R)	Graphic/ Logic Panels
(S)	Field Network Devices
(T)	Software

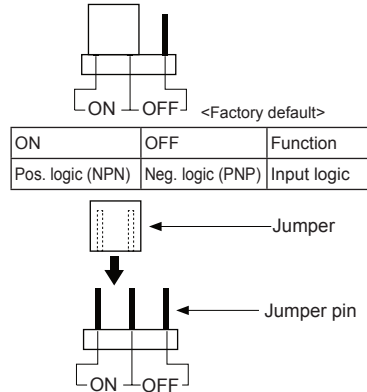
D1SC-N/D1SA Series

Terminal Layout And Function

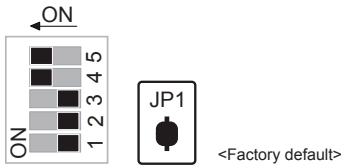
D1SC-N



① Function set jumper (SW1)



② Function set switches (SW2, JP1)



Switch	ON	OFF	Function	
SW2	1	Decimal	Hexadecimal	Characters
	2	Parallel	Serial	Input
	3	5-bit	4-bit	Serial input
	4	Used	Not used	Serial data output ^{※1}
	5	Used	Not used	Zero Blanking
JP1	7 Segment	Minus	Minus	

※1: For Serial input, set this as ON.
For Parallel input, set this as OFF.

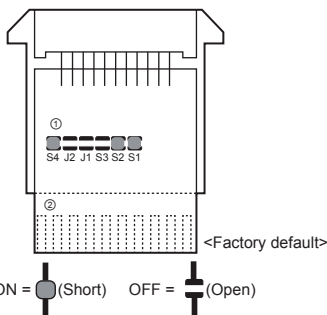
③ Input/Output terminals

Terminal	Input		Serial input	
	Code	Function	Code	Function
1	V+	12-24VDC	VCC	12-24VDC
2	D0	Data input	N-C	Do not connect anything
3	D1		CK	Clock input
4	D2		DI	Data input
5	D3		DO	Data output
6	BI	Zero blanking input	BI	Zero blanking input
7	BO	Zero blanking output	BO	Zero blanking output
8	LE	Latch input	LE	Latch input
9	DP	Decimal point input	DP	Decimal point input
10	GND	0V	GND	0V

※Terminals of CN1 and CN2 is corresponding 1:1.

D1SA Series

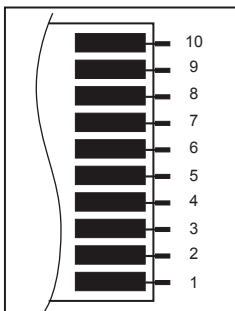
① Function set switches



Switch	ON	OFF	Function
S1	Decimal	Hexadecimal	Characters
S2	Parallel	Serial	Input
S3	5-bit	4-bit	Serial input
J1	Used	Not used	Serial data output ^{※1}
J2	Used	Not used	Zero Blanking
S4	Neg. logic (NPN)	Pos. logic (PNP)	Input logic

※1: For serial input, set this as ON. For Parallel input, set this as OFF.

② Input/Output terminals

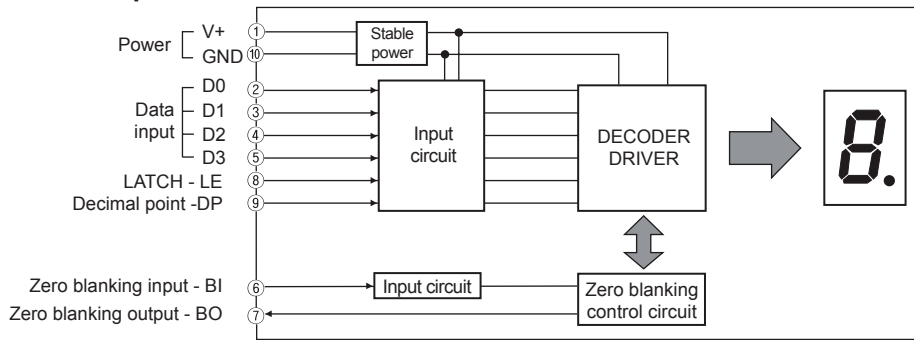


Terminal	Input		Serial input	
	Code	Function	Code	Function
1	V+	12-24VDC	VCC	12-24VDC
2	D0	Data input	N-C	Do not connect anything
3	D1		CK	Clock input
4	D2		DI	Data input
5	D3		DO	Data output
6	BI	Zero Blanking input	BI	Zero Blanking input
7	BO	Zero Blanking output	BO	Zero Blanking output
8	LE	LATCH input	LE	LATCH input
9	DP	Point input	DP	Point input
10	GND	0V	GND	0V

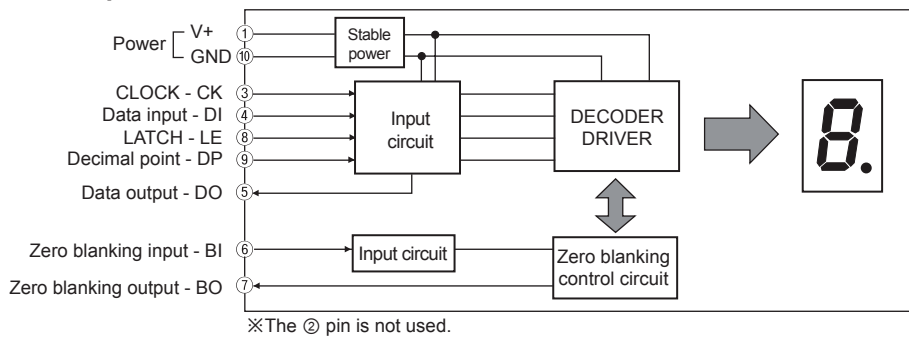
7 Segment Display Unit

Block Diagram

Parallel input



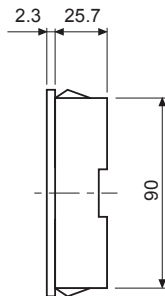
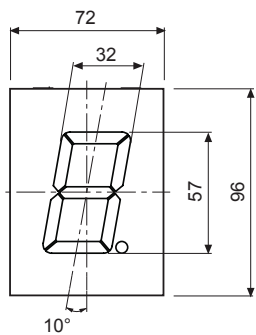
Serial input



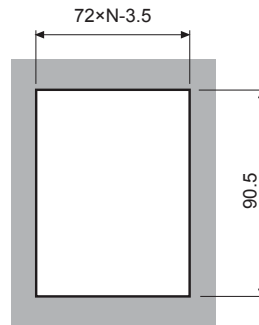
Dimensions

(unit: mm)

D1SC-N

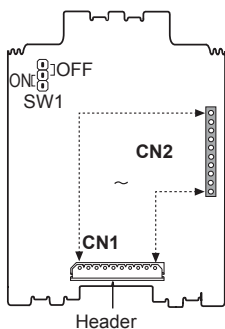


Panel cut-out



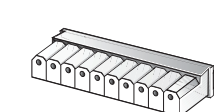
※N: Number of units
※Panel thickness: 2 to 4mm

Accessories

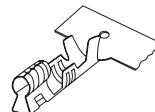


■ CN1: Connector specification

- Connector maker: Korea Morex
- Housing: 5264-10
- Header: 5264-10A (Straight)
- Terminal: 5263 (PBT)
- Using cable specification
 - AWG28 to 22 (cable diameter: Max. \varnothing 1.9mm)
 - Shielding length of wire cover: 2.4 to 2.9mm



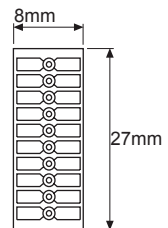
Housing[5264-10]



Terminal[5263 (PBT)]

■ CN2: Connector for multi-stage

- This connector must be used with connection PCB
- CN1 and CN2 must be connected as below drawing.

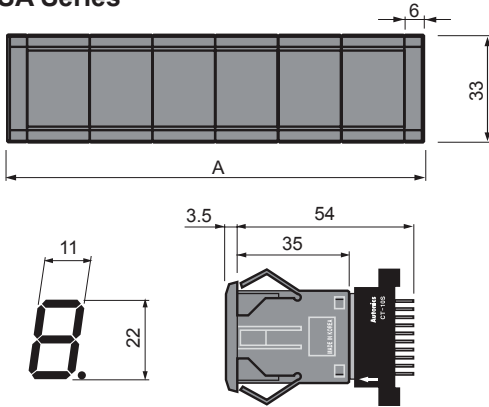


Multi-stage connector

(A)	Photo-electric Sensors
(B)	Fiber Optic Sensors
(C)	Door/Area Sensors
(D)	Proximity Sensors
(E)	Pressure Sensors
(F)	Rotary Encoders
(G)	Connectors/ Sockets
(H)	Temperature Controllers
(I)	SSRs / Power Controllers
(J)	Counters
(K)	Timers
(L)	Panel Meters
(M)	Tacho / Speed / Pulse Meters
(N)	Display Units
(O)	Sensor Controllers
(P)	Switching Mode Power Supplies
(Q)	Stepper Motors & Drivers & Controllers
(R)	Graphic/ Logic Panels
(S)	Field Network Devices
(T)	Software

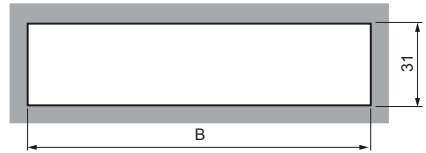
D1SC-N/D1SA Series

○ D1SA Series



● Panel cut-out

(unit: mm)

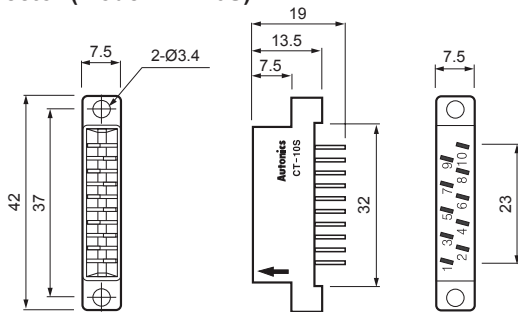


● Panel cut-out chart

Digit (N)	A (20×N+12)	B (20×N+10)
1	32	30±0.1
2	52	50±0.1
3	72	70±0.1
4	92	90±0.1
5	112	110±0.1
6	132	130±0.1
7	152	150±0.1
8	172	170±0.1

○ Accessory

● Connector (Model: CT-10S)



○ Sold separately

● CAP



- D1SA-RN: DAR (L) -R (left/right 1 set)
- D1SA-GN: DAR (L) -BL (left/right 1 set)
- ※Cap is optional (1set).

■ Input Data Chart

Indication				Negative input				Positive input			
Minus ^{※1}		7 Segment		D3	D2	D1	D0	D3	D2	D1	D0
Hexa decimal	Decimal	Hexa decimal	Decimal								
Blank	Blank	0	0	H	H	H	H	L	L	L	L
Blank	Blank	1	1	H	H	H	L	L	L	L	H
-	-	2	2	H	H	L	H	L	L	H	L
-	-	3	3	H	H	L	L	L	L	H	H
-	-	4	4	H	L	H	H	L	H	L	L
-	-	5	5	H	L	H	L	L	H	L	H
-	-	6	6	H	L	L	H	L	H	H	L
Blank	Blank	7	7	H	L	L	L	L	H	H	H
-	-	8	8	L	H	H	H	H	L	L	L
-	-	9	9	L	H	H	L	H	L	L	H
-	Blank	A	Blank	L	H	L	H	H	L	H	L
-	Blank	b	Blank	L	H	L	L	H	L	H	H
Blank	Blank	c	Blank	L	L	H	H	H	H	L	L
-	Blank	d	Blank	L	L	H	L	H	H	L	H
-	Blank	E	Blank	L	L	L	H	H	H	H	L
-	Blank	F	Blank	L	L	L	L	H	H	H	H

※When BI terminal connect GND, "0" is displayed. When BI terminal is open, it is blank (not display)

※"X": Either high or low level can be input.

※1: Only D1SC-N supports Minus display. Set the rear JP1 as OFF.

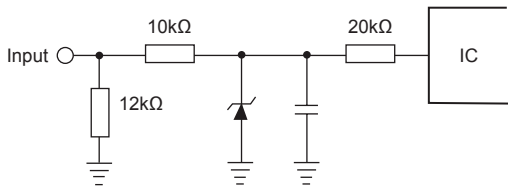
※Blank: If input signal as input DATA, it does not display.

7 Segment Display Unit

Input Circuit

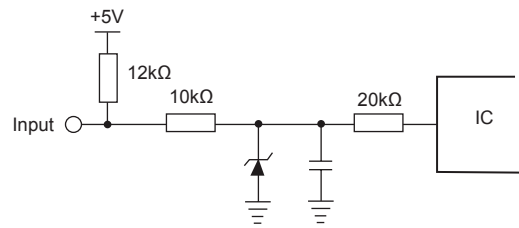
D1SC-N

• Positive logic (PNP) input (SW1: OFF)



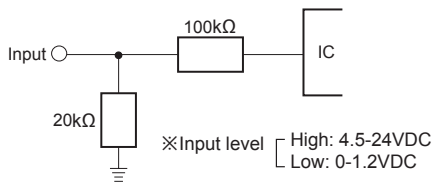
※Input level - High: 4.5-24VDC, Low: 0-1.2VDC

• Negative logic (NPN) input (SW1: ON)



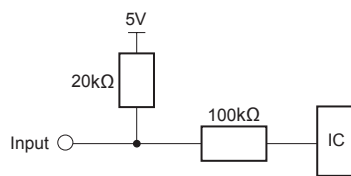
D1SA Series

• Positive logic (PNP)input (SW1: OFF)



※Input level [High: 4.5-24VDC
Low: 0-1.2VDC

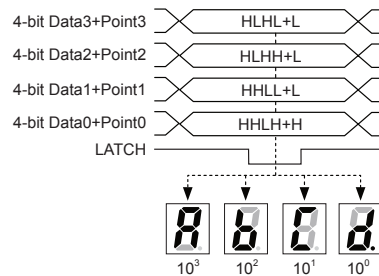
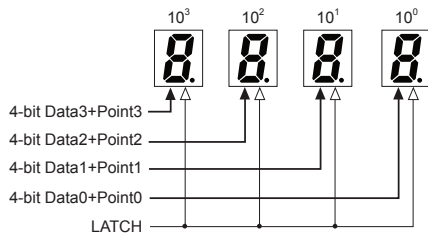
• Negative logic (NPN) input (SW1: ON)



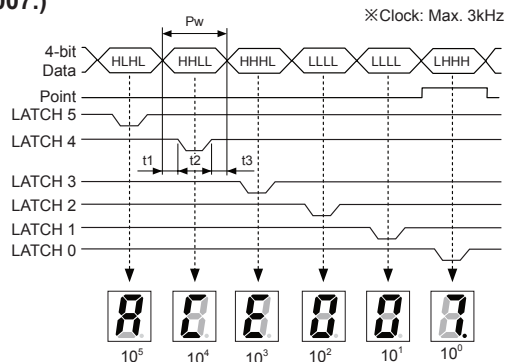
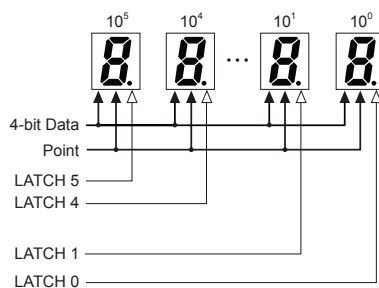
Data Input Method

Parallel input

• 4-bit static parallel input (e.g.: displays ABCD.)



• 4-bit dynamic parallel input (e.g.: displays ACE007.)



※Pw=t1+t2+t3
Pw: 0.33ms (Min.)
t1: 0.05ms (Min.) → Data LATCH
t2: 0.23ms (Min.) → Data move
t3: 0.05ms (Min.) → Data

(A)	Photo-electric Sensors
(B)	Fiber Optic Sensors
(C)	Door/Area Sensors
(D)	Proximity Sensors
(E)	Pressure Sensors
(F)	Rotary Encoders
(G)	Connectors/ Sockets
(H)	Temperature Controllers
(I)	SSRs / Power Controllers
(J)	Counters
(K)	Timers
(L)	Panel Meters
(M)	Tacho / Speed / Pulse Meters
(N)	Display Units
(O)	Sensor Controllers
(P)	Switching Mode Power Supplies
(Q)	Stepper Motors & Drivers & Controllers
(R)	Graphic/ Logic Panels
(S)	Field Network Devices
(T)	Software

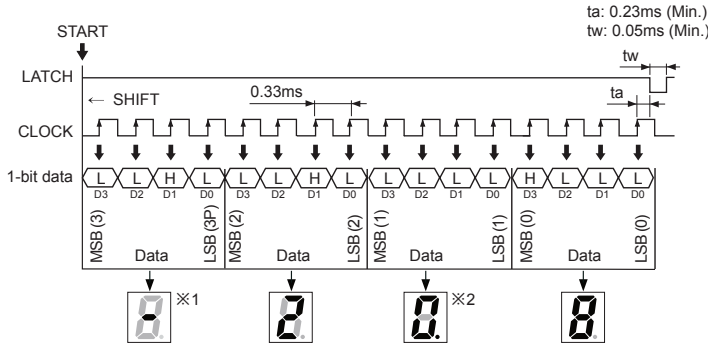
D1SC-N/D1SA Series

Serial input

4-bit serial input (e.g.: displays -20.8)

※Clock max. 3kHz

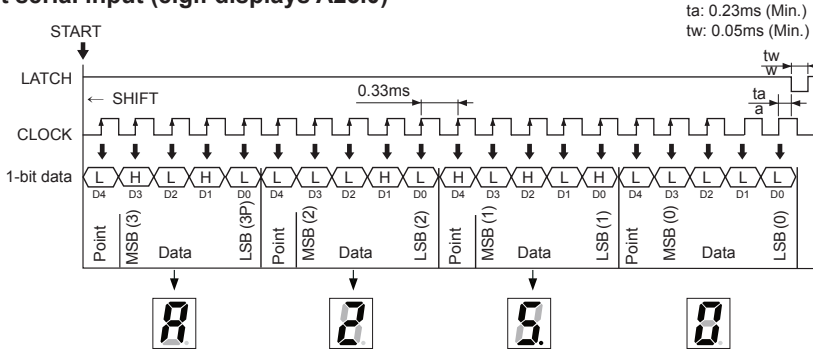
※In case of positive logic (PNP), hexadecimal number



※1: To display Minus, set the rear JP1 as OFF.

※2: In case of 4-bit Serial input, to display decimal point, connect DP of the rear input terminal to V+.
In case of negative logic (NPN), connect DP to GND.

5-bit serial input (e.g.: displays A25.0)



Multi-Stage Connection Method

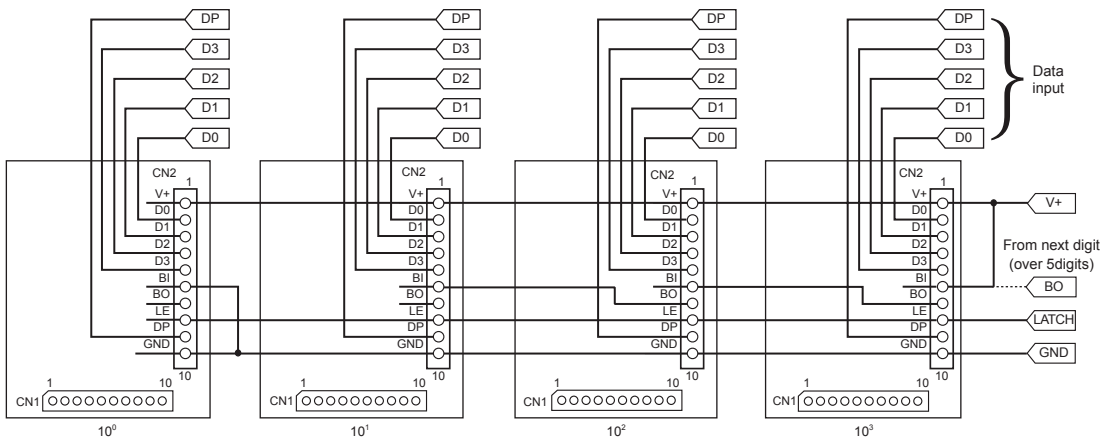
Parallel input: 4digit

※ The below connection is example of D1SC-N. For D1SA, connection is same but the order of pin is reverse.
(connector image (refer to N-14 page of the 9th catalogue)

※CN1, CN2 terminals of D1SC-N corresponds 1:1 and it is able to connect as CN1 depending on the need.

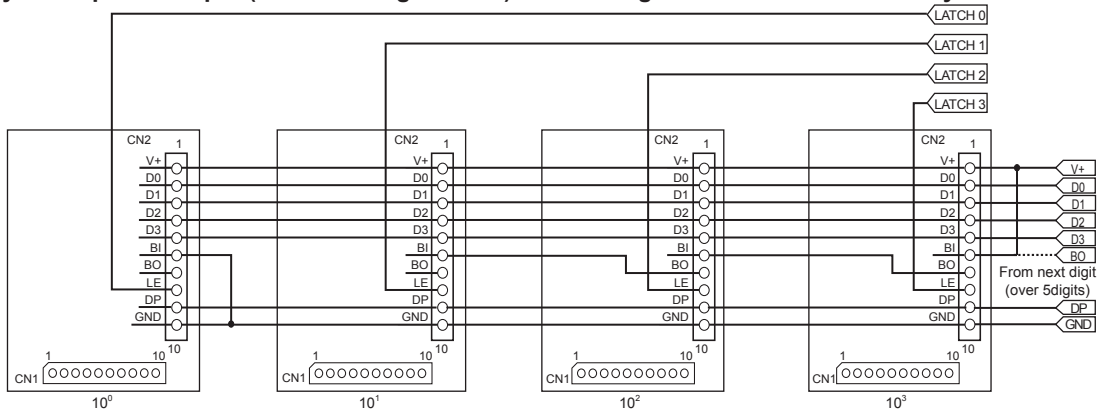
※When not using Zero Blanking, connect BI terminal to GND.

Static parallel input (zero blanking method): These diagrams are to wire at rear layout of the unit.



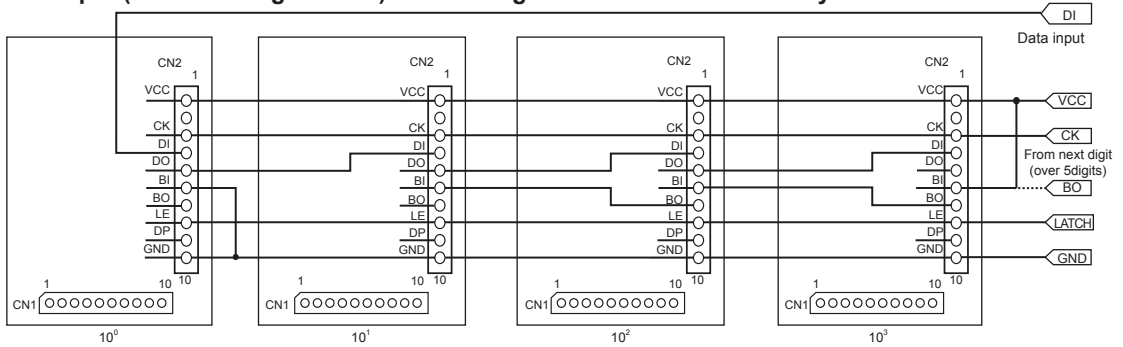
7 Segment Display Unit

- Dynamic parallel input (zero blanking method): These diagrams are to wire at rear layout of the unit.



Serial input: 4digit

- Serial input (zero blanking method): These diagrams are to wire at rear layout of the unit.

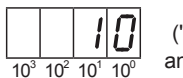


Zero Blanking Method?

It is to remove "0" indication which is no meaning.

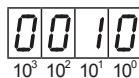
Ex1) When displaying 10

① Using Zero Blanking



("0" of 10^3 , 10^2 are no meaning and they are not displayed.)

② Not using Zero Blanking



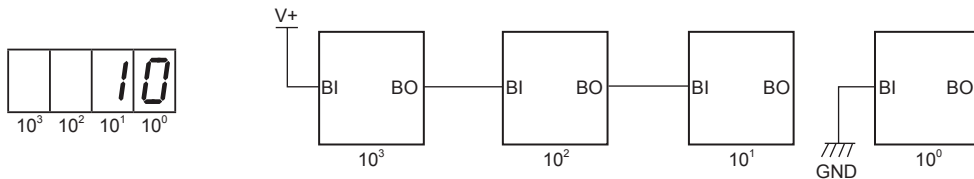
※If indication data is "101", meaningful tens place "0" will be displayed.

Using zero blanking for multi-stage

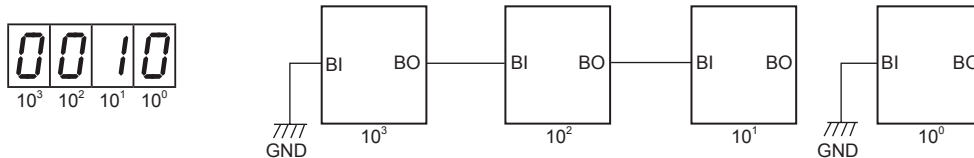
Set 5 (Zero Blanking output) of the rear function set switch (SW2) as ON.

For 10 (0) to display '0', set this as OFF.

1) Using Zero Blanking



2) Not using Zero Blanking

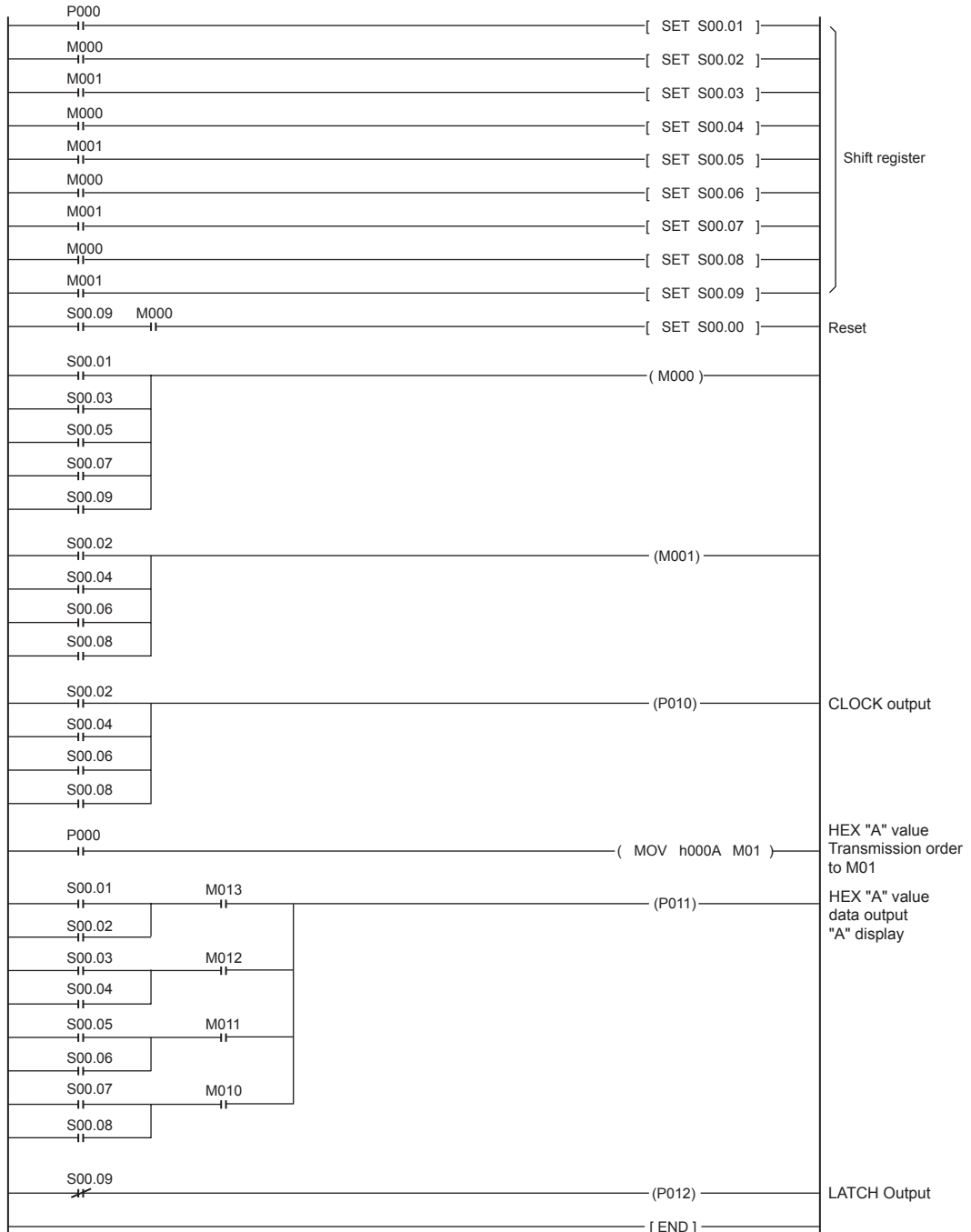


(A)	Photo-electric Sensors
(B)	Fiber Optic Sensors
(C)	Door/Area Sensors
(D)	Proximity Sensors
(E)	Pressure Sensors
(F)	Rotary Encoders
(G)	Connectors/ Sockets
(H)	Temperature Controllers
(I)	SSRs / Power Controllers
(J)	Counters
(K)	Timers
(L)	Panel Meters
(M)	Tacho / Speed / Pulse Meters
(N)	Display Units
(O)	Sensor Controllers
(P)	Switching Mode Power Supplies
(Q)	Stepper Motors & Drivers & Controllers
(R)	Graphic/ Logic Panels
(S)	Field Network Devices
(T)	Software

D1SC-N/D1SA Series

■ The Application Of PLC Program[Serial Input Type]

1. Display Unit D1SA-□
2. Data input type: Serial
3. Connection type: See serial connection type when using more than 2EA
4. Display result: "A" Display
5. PLC: LSIS (LS Industrial Systems), MASTER-K Series
6. When using serial type, use transistor output card of PLC
7. Negative logic (NPN)



※Visit our web site (www.autonics.com) to download various applications of PLC program.