

Autonics

Melody Buzzer B6MA SERIES

M A N U A L



Thank you for choosing our Autonics product.
Please read the following safety considerations before use.

■ Safety Considerations

- ※Please observe all safety considerations for safe and proper product operation to avoid hazards.
- ※Safety considerations are categorized as follows.
- ⚠Warning** Failure to follow these instructions may result in serious injury or death.
- ⚠Caution** Failure to follow these instructions may result in personal injury or product damage.
- ※The symbols used on the product and instruction manual represent the following
- ⚠** symbol represents caution due to special circumstances in which hazards may occur.

⚠ Warning

- Fail-safe device must be installed when using the unit with machinery that may cause serious injury or substantial economic loss.** (e.g. nuclear power control, medical equipment, ships, vehicles, railways, aircraft, combustion apparatus, safety equipment, crime/disaster prevention devices, etc.)
Failure to follow this instruction may result in personal injury, fire, or economic loss.
- DC power shall be insulated voltage.**
Failure to follow this instruction may result in electric shock.
- Do not disassemble or modify the unit. Please contact us if necessary.**
Failure to follow this instruction may result in fire, electric shock.
- Do not use the unit close to the ear.**
Failure to follow this instruction may result in hearing loss.

⚠ Caution

- Do not use the unit outdoors.**
Failure to follow this instruction may result in shorten the life cycle of the unit, or electric shock.
- Use the unit within the rated specifications.**
Failure to follow this instruction may result in shorten the life cycle of the unit, or fire.
- Do not apply AC power to the DC product and observe the rated specifications.**
Failure to follow this instruction may result in product damage.
- Do not use water or oil-based detergent when cleaning the unit. Use dry cloth to clean the unit.**
Failure to follow this instruction may result in fire or electric shock.
- Do not use the unit where flammable or explosive gas, humidity, direct sunlight, radiant heat, vibration, or impact may be present.**
Failure to follow this instruction may result in product damage or malfunction of the unit.

■ Ordering Information

| | | | | | | | | | | |
|----------|----------|-----------|----------|----------|----------|----------|----------|-----------------|-----------|--------------------------|
| B | 6 | MA | - | 4 | G | D | N | Input | N | NPN open collector input |
| | | | | | | | | | P | PNP open collector input |
| | | | | | | | | Power supply | D | 12-24VDC |
| | | | | | | | | | L | 110-220VAC 50/60Hz |
| | | | | | | | | Case color | G | Gray |
| | | | | | | | | No. of channels | 4 | 4 channels |
| | | | | | | | | Product name | MA | Melody alarm |
| | | | | | | | | Mounting hole | 6 | ∅66 |
| | | | | | | | | Item | B | Buzzer |

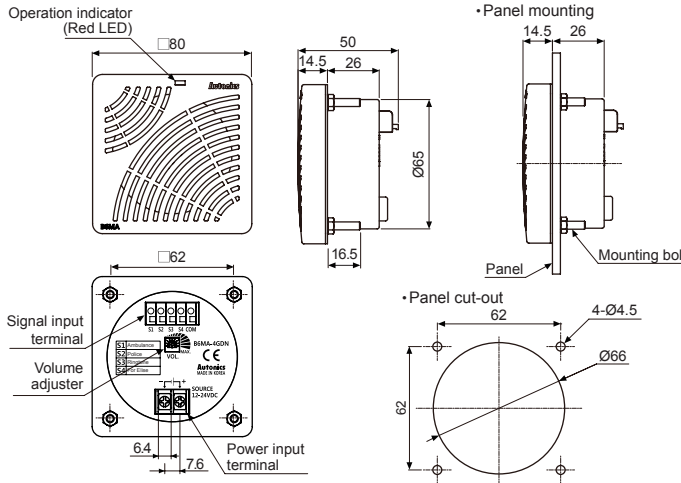
※The above specifications are subject to change and some models may be discontinued without notice.

■ Specifications

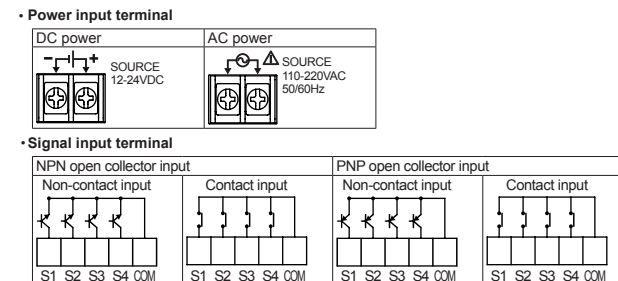
| | | |
|---|---|--|
| Model | B6MA-4GD | B6MA-4GL |
| Power supply | 12-24VDC | 110-220VAC 50/60Hz |
| Allowable voltage range | 90 to 110% of rated voltage | |
| Power consumption | Max. 3W | Max. 5W |
| Input type | NPN open collector, PNP open collector | |
| Sound pressure | Max. 105dB(0.1m), Max. 95dB(1m) | |
| No. of channels | 4 channels | |
| Melody type | Terminal input: 4 types(ambulance, police, ringtone, for elise) | |
| Insulation resistance | Min. 1,000MΩ(at 500VDC megger between all terminals and case) | |
| Dielectric strength | 500VAC 50/60Hz for 1 min. (between all terminals and case) | 2000VAC 50/60Hz for 1 min. (between all terminals and case) |
| Vibration | 0.75mm amplitude at frequency of 10 to 55Hz(for 1 min.) in each of X, Y, Z directions for 2 hours | |
| Shock | 500m/s ² (approx. 50G) in each X, Y, Z direction for 3 times | |
| Environ | Ambient temperature -10 to 55°C, storage: -20 to 65°C | |
| ment | Ambient humidity 35 to 85%RH, storage: 35 to 85%RH | |
| Protection | IP65(front, IEC standards) | |
| Material | PC | |
| Screw tightening torque for power input terminals | 0.4 to 0.6N·m | |
| Nut tightening torque for panel mounting | 0.7 to 0.8N·m | |
| Accessory | Flat washer 4EA, Spring washer 4EA, Hex nut 4EA | |
| Approval | CE | |
| Weight ^{※1} | Approx. 170g(approx. 130g) | |

※1: The weight includes packaging. The weight in parentheses is for unit only.
※Environment resistance is rated at no freezing or condensation.

■ Dimensions

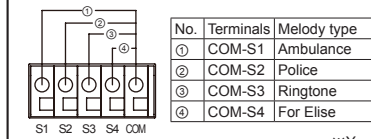


■ Connections



※Do not supply the power to the signal input terminals. Failure to follow this instruction may result in input circuit damage or malfunction of the unit.

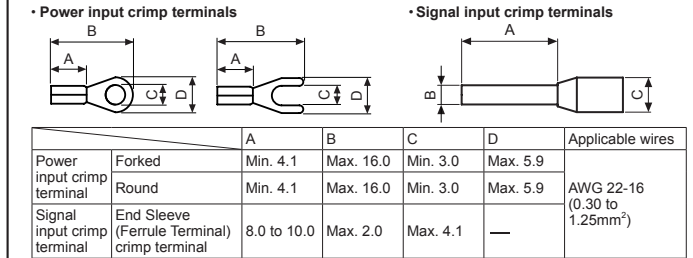
■ How To Select Melody Type



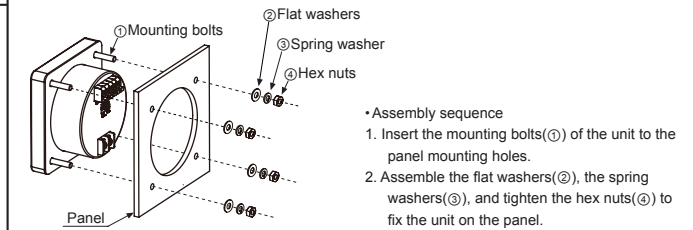
Connect the COM terminal and the desired melody type terminal using the crimp terminals.

※You may sample the melodies at www.autonics.com.

■ Applicable Crimp Terminals



■ Installation



■ Caution During Use

- Use this unit at the rated temperature and humidity range.
- Do not tighten nuts with excessive power.
- Please check the voltage changes of power source in order not to exceed the rated power input.
- Use AWG22-16(0.3 to 1.25mm²) wire and applicable crimp terminals to the terminal block.
- Do not use the unit in the following environments
 - ① Environments with high vibration or shock
 - ② Environments with strong alkalis or acids
 - ③ Environments with exposure to direct sunlight
 - ④ Near machinery which produce strong magnetic force or electric noise
- This unit may be used in the following environments.
 - ① It shall be used indoor
 - ② Altitude up to 2,000m
 - ③ Pollution degree 2
 - ④ Installation category II

※Failure to follow these instructions may result in product damage.

■ Major Products

- Photoelectric Sensors
- Fiber Optic Sensors
- Door Sensors
- Door Side Sensors
- Area Sensors
- Proximity Sensors
- Pressure Sensors
- Rotary Encoders
- Connector/Sockets
- Switching Mode Power Supplies
- Control Switches/Lamps/Buzzers
- I/O Terminal Blocks & Cables
- Stepper Motors/Drivers/Motion Controllers
- Graphic/Logic Panels
- Field Network Devices
- Laser Marking System(Fiber, Co, Nd:Yag)
- Laser Welding/Soldering System
- Temperature Controllers
- Temperature/Humidity Transducers
- SSR/Power Controllers
- Counters
- Timers
- Panel Meters
- Tachometer/Pulse(Rate)Meters
- Display Units
- Sensor Controllers

Autonics Corporation
<http://www.autonics.com>

Satisfiable Partner For Factory Automation

■ HEADQUARTERS:
18, Bansong-ro 513beon-gil, Haeundae-gu, Busan, Korea

■ OVERSEAS SALES:
#402-404, Buecheon Techno Park, 655, Pyeongcheon-ro, Wonmi-gu, Buecheon, Gyeonggi-do, Korea
TEL: 82-32-610-2730 / FAX: 82-32-329-0728

■ E-mail: sales@autonics.com

AS-KE-04-T0002A