

DS-2CE56C2T-VFIR3



Key Features

- 1.3 Megapixel high-performance CMOS
- Analog HD output, up to 720P resolution
- 2.8 – 12mm vari-focal lens
- True Day/Night
- DNR, Smart IR
- Up to 40m IR distance
- IP66 weatherproof

Specification

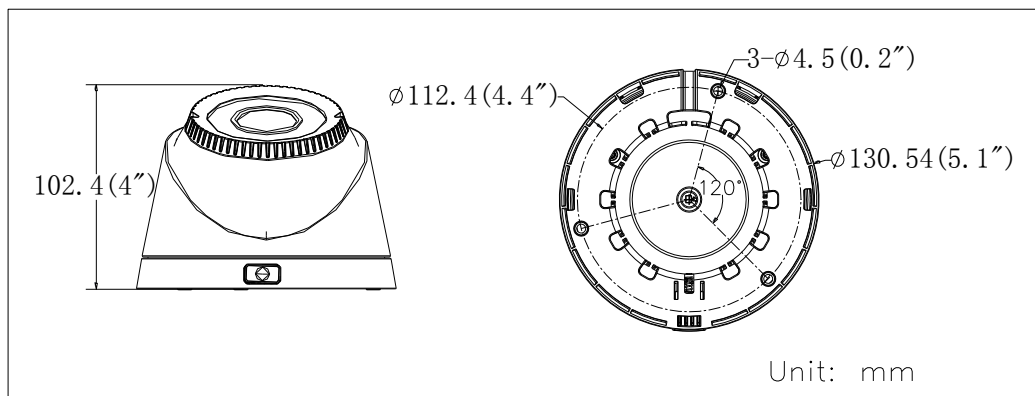
Model	DS-2CE56C2T-VFIR3
Parameter	Turbo HD720p Vari-focal IR Turret Camera
Camera	
Image Sensor	1.3MP CMOS Image Sensor
Effective Pixels	1280(H)*960(V)
Min. Illumination	0.01 Lux @(F1.2,AGC ON), 0 Lux with IR
Shutter Time	1/25(1/30) s to 1/50,000 s
Lens	2.8 - 12 mm @ F1.4
	Angle of view: 97° - 30.4°
Lens Mount	φ14
Angle Adjustment	Pan: 0 - 360°, Tilt: 0 - 75°, Rotation: 0 - 360°
Day & Night	ICR
Synchronization	Internal synchronization
Video Frame Rate	720p@25fps/720p@30fps
HD Video Output	1 Analog HD output
S/N Ratio	> 62dB

General	
Working Temperature/Humidity	-40 °C - 60 °C (-40 °F - 140 °F) Humidity 90% or less (non-condensing)
Power Supply	12V DC \pm 15%
Power Consumption	Max. 5W
Weather Proof Ratings	IP66
IR Range	Up to 40m
Dimension	Φ 130.54 \times 102.4mm (Φ 5.1" \times 4.0")
Weight	560g (1.24 lbs)

Order Model

DS-2CE56C2T-VFIR3

Dimension



Accessory



DS-1273ZJ-130-TRL
Wall Mounting



DS-1275ZJ
Vertical Pole Mounting



DS-1276ZJ
Corner Mounting



DS-1280ZJ-M
Junction Box



DS-1281ZJ-S
Inclined Ceiling Mounting



DS-1H18
Video Balun



DS-TT-X41T
TVI Tester