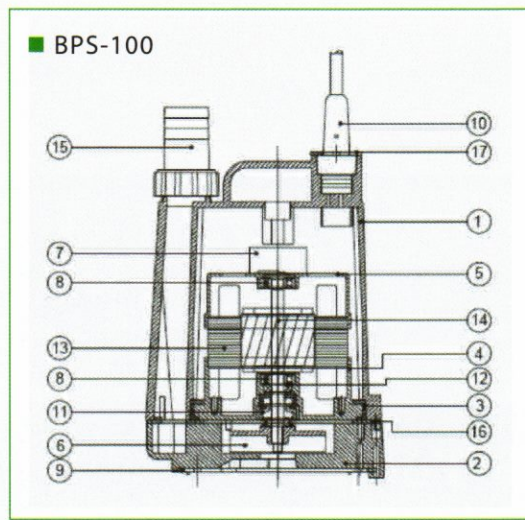
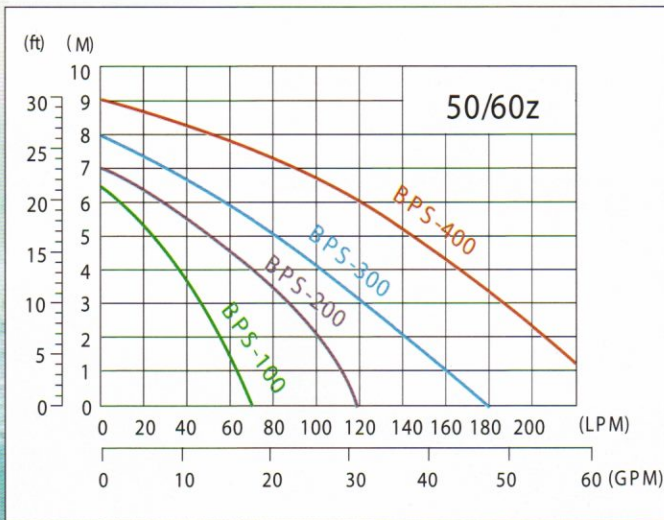
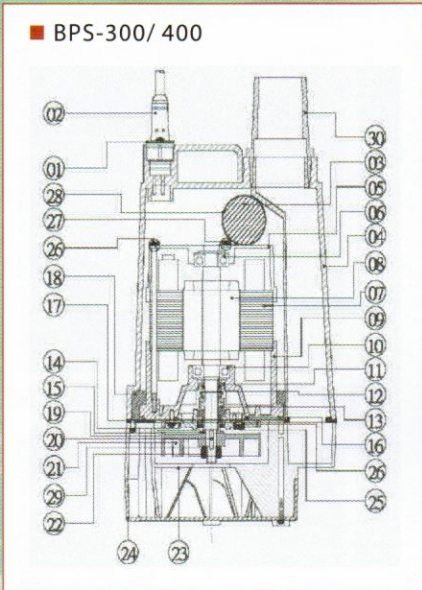


## Performance

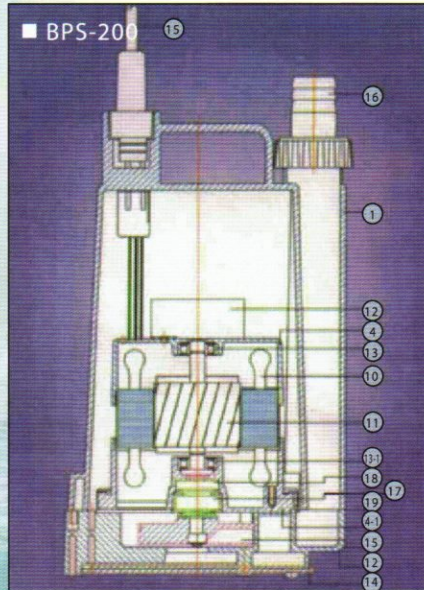


## Construction

### BPS-300/ 400



### BPS-200



### BPS-300/ 400

NO	Description	Material
1	Gland Plate	SUS
2	Power Cord	H05RNF/H07RNF
3	Capacitor	15UF/350V
4	Motor Tank	PP+GF
5	Upper Bearing Cover	ADC12
6	Bearing	NTN
7	Stator	Laminated S.S.P
8	Shaft	SUS410
9	Seal Plate	ADC12
10	Bearing	NTN
11	Oil Seal	NBR
12	C R etaining R ing	SUS
13	Me. Seal	CA/CE
14	Oil Seal Cover	FC-20
15	Oil Seal	NBR
16	O-R ing	NBR
17	Pump Casing Gasket	NBR
18	Gasket	NBR
19	Bearing	NTN
20	KEY	SUS
21	Impeller	Nylon+GF
22	Nut	SUS
23	Pump Casing	PP+GF
24	Strainer	PP+GF
25	Oil Seal S crew	SUS
26	Oil Seal Packing	NBR
27	Screw	SUS
28	Capacitor Retaining R ing	S steel, Plated
29	S pring Washer	SUS
30	Discharge F itting	PP+GF

### BPS-100

NO	Description	Material
1	Motor Housing	PP+GF
2	Pump Casing	PP+GF
3	Pump Gasket	NBR
4	Lower Bearing	ADC12
5	Upper Bearing	ADC12
6	Impeller	PP+GF
7	Capacitor	
8	Bearing	NTN
9	Strainer	NYLON
10	Power Cord	18AWG
11	Mechanical Seal	CA/CE
12	Oil Seal	NBR
13	Laminated Plate	Silicon S steel
14	Shaft	SUS
15	Discharge	PP
16	O-Ring	NBR
17	C Gland	SUS

### BPS-200

NO	Description	Material
1	Motor Housing	PP+GF
2	Pump Casing	PP+GF
4	Stator Upper Casing	Aluminium
4-1	Stator Lower Casing	Aluminium
5	Impeller	PP+GF
10	Stator	
11	Rotor & S haft	SUS304
12	Capacitor	
13	Bearing(Lower)	CNM5K
13-1	Bearing(Upper)	CNM5K
14	Strainer	NYLON
15	Cable With Plug	
16	Discharge Adapter	NYLON
17	Mechanical Seal	CE/CA
18	Oil Seal	NBR
19	Packing	NBR

## Specifications

Model	Ou tput		Ou tlet		Rated		Maximum		Dimension	Weight
	HP	W	mm	Inch	Head(M)	Flow(l/m)	Head(M)	Flow(l/m)	L x W x H (mm)	Kg
BPS-100	1/6	100	25	1"	4	35	6.5	70	155 *155 *240	2.9
BPS-200	1/4	200	32	1- 1/ 4"	5	60	7	110	155 *155 *240	2.9
BPS-300	1/3	300	40	1- 1/ 2"	5	80	8	180	196 *196 *365	6.6
BPS-400	1/2	400	50	2"	6	120	9	240	196 *196 *365	7.6

Remarks: Model code ends with "A" construction with wide angle float switch, ex: BPS-100A.  
Model code ends with "V" construction with vertical switch, ex: BPS-100V.