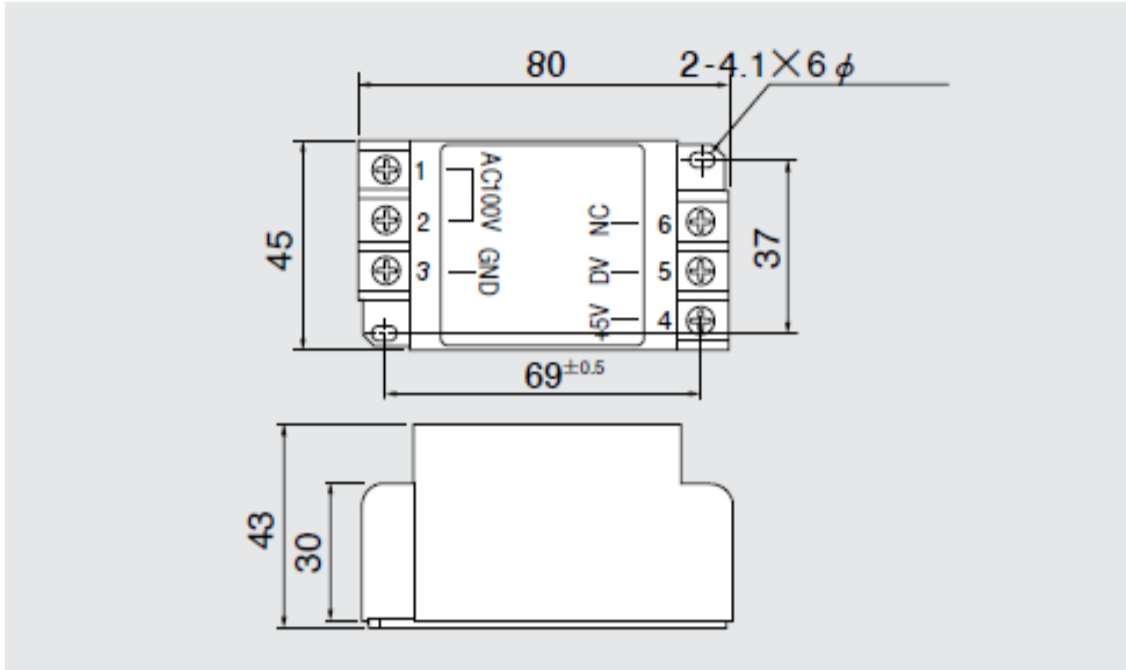


Accessories for Digital Panel Meter

Power Supply



Model No.	Input voltage	Output voltage	Output current
APS-250-1	90~132VAC	4.85~5.15V	Max 250mA
APS-250-2	180~264VAC		
APS-240-1	90~132VAC	24V±10%	80mA
APS-240-2	180~264VAC		

(Input voltage is selectable internal switch)