

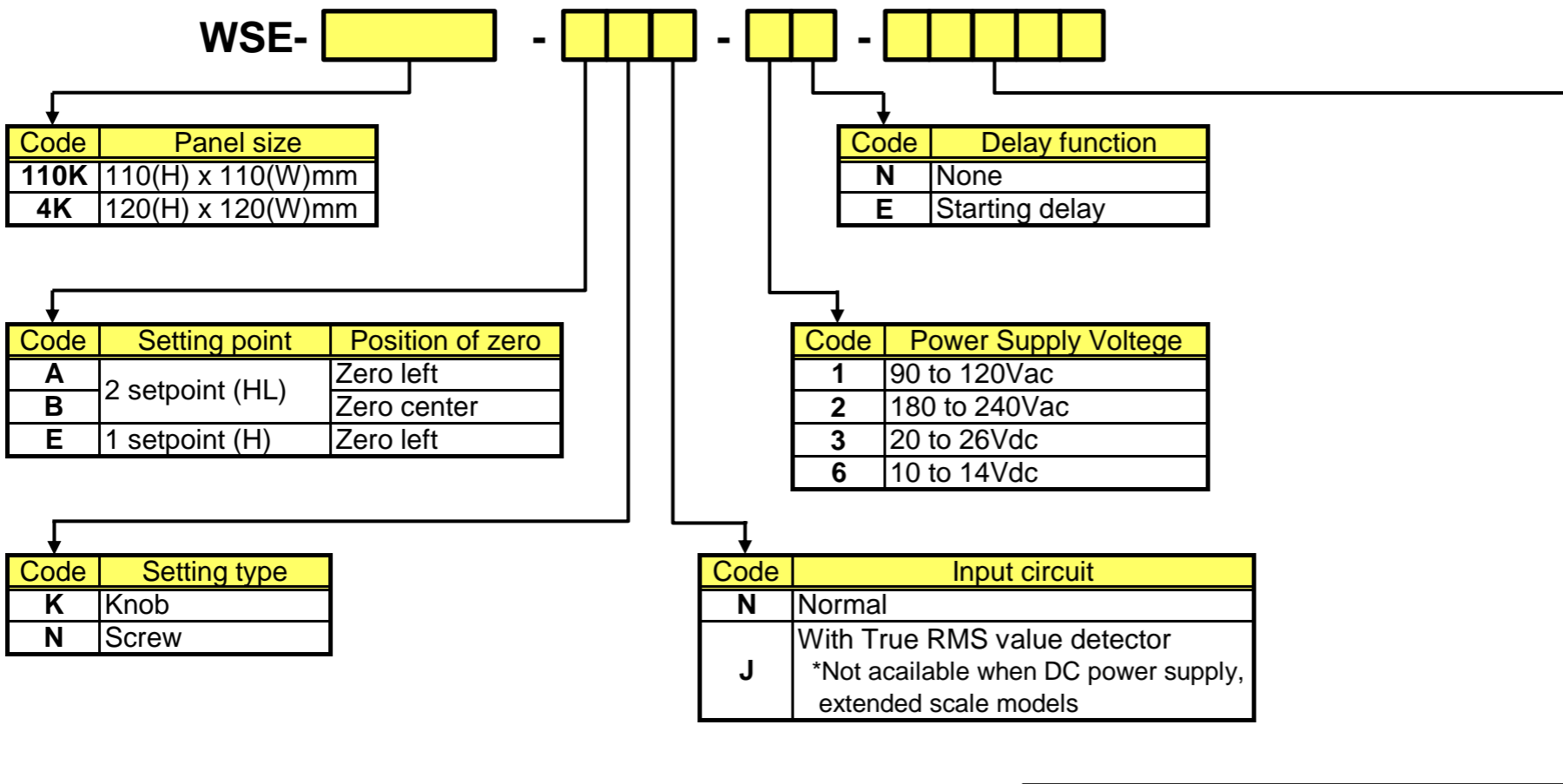


This is wide angle-type non-contact meter relay (Voltmeter / Ammeter).  
LED method non-contact meter relay  
★ Strong viewing angle  
★ Reduces mounting man-hour by integrated relay box

## When you order

- ★ Please inform below when you order
- 1) Model code (Refer below : 'Ordering code')
  - 2) Scale (Refer page 2 : 'Standard scale list')
  - 3) Unit (Refer page 2 : 'Unit list')

## Ordering code



## Input range

Input Range (Voltage)	DC		AC	
	Range code	Accessories	Range code	Accessories
0 to 50mV	15VDN	None	-	-
0 to 60mV	16VDN	None	-	-
0 to 100mV	21VDN	None	-	-
0 to 200mV	22VDN	None	-	-
0 to 300mV	23VDN	None	-	-
0 to 500mV	25VDN	None	-	-
0 to 1V	31VDN	None	-	-
0 to 3V	33VDN	None	-	-
0 to 5V	35VDN	None	-	-
0 to 10V	41VDN	None	-	-
0 to 15V	4FVDN	None	-	-
0 to 20V	42VDN	None	-	-
0 to 30V	43VDN	None	-	-
0 to 50V	45VDN	None	45EAN	None
0 to 75V	4WVDN	None	4WEAN	None
0 to 100V	51VDN	None	51EAN	None
0 to 150V	5FVDN	None	5FEAN	None
0 to 200V	52VDN	None	52EAN	None
0 to 300V	53VDN	None	53EAN	None
0 to 500V	55VDN	None	55EAN	None
0 to 750V	5WVM2	M-2 (Multiplier)	5WEB2	M-2 (Multiplier)
1 to 5V	2222N	None	-	-
Other than above				
50mV to less than 100mV	-	-	-	-
100mV to less than 50V	99VDN	None	-	-
50V to less than 500V	-	-	99EAN	None
500V to less than 750V	99VM2	M-2 (Multiplier)	99EB2	M-2 (Multiplier)

Input Range (Current)	DC		AC	
	Range code	Accessories	Range code	Accessories
0 to 500μA	25ADN	None	25CAN	None
0 to 1mA	31ADN	None	31CAN	None
0 to 3mA	33ADN	None	33CAN	None
0 to 5mA	35ADN	None	35CAN	None
0 to 10mA	41ADN	None	41CAN	None
0 to 20mA	42ADN	None	42CAN	None
0 to 30mA	43ADN	None	43CAN	None
0 to 50mA	45ADN	None	45CTN	None
0 to 100mA	51ADN	None	51CTN	None
0 to 300mA	53ADN	None	53CTN	None
0 to 500mA	55ADN	None	55CTN	None
0 to 1A	61ADN	None	61CTN	None
0 to 2A	62ADN	None	62CTN	None
0 to 3A	63ADN	None	63CTN	None
0 to 5A	65ADN	None	65CTN	None
0 to 10A	71AS2	WS-2 (Shunt)	71CT2	WCT-2CR (CT)
0 to 15A	7FAS2	WS-2 (Shunt)	7FCT2	WCT-2CR (CT)
0 to 20A	72AS2	WS-2 (Shunt)	72CT2	WCT-2CR (CT)
0 to 30A	73AS2	WS-2 (Shunt)	73CT2	WCT-2CR (CT)
0 to 50A	75AS2	WS-2 (Shunt)	75CT2	WCT-2CR (CT)
0 to 75A	7WAS2	WS-2 (Shunt)	7WCT2	WCT-2CR (CT)
0 to 100A	81AS2	WS-2 (Shunt)	81CT2	WCT-2CR (CT)
0 to 150A	8FAS2	WS-2 (Shunt)	8FCT2	WCT-2CR (CT)
0 to 200A	82AS2	WS-2 (Shunt)	82CT2	WCT-2CR (CT)
0 to 250A	8RASR	WS-250 (Shunt)	8RCT2	WCT-2CR (CT)
0 to 300A	83AS3	WS-300 (Shunt)	83CT5	WCT-2CR (CT)
0 to 400A	84AS4	WS-400 (Shunt)	84CT5	WCT-2CR (CT)
0 to 500A	85AS5	WS-500 (Shunt)	85CT5	WCT-2CR (CT)
0 to 600A	86AS6	WS-600 (Shunt)	86CT5	WCT-2CR (CT)
0 to 750A	8WASW	WS-750 (Shunt)	8WCT5	WCT-2CR (CT)
4 to 20mA	1111N	None	-	-
Other than above				
500μA to less than 30mA	99ADN	None	99CAN	None
30mA to less than 5A	-	-	99CTN	None
5A to less than 150A	99AS2	WS-2 (Shunt)	99CT2	WCT-2CR (CT)

★ Regarding the range code of extended scale and zero center scale

Scale	Range code	Remarks
Double extended scale	OOOVO	Only for AC current input
Triple extended scale	OOOWO	Only for AC current input
Zero center	OOZO	Only for DC input

\*Example 1 : Input range code is "73CV2", if input range is double extended scale of 30Vac  
\*Example 2 : Input range code is "41VZN", if input range is +/-10V (zero center)

## Specifications

<b>Input signal</b>	DC voltage / DC current / AC voltage / AC current
<b>Input rating</b>	50mV to 750Vdc 500μA to 750Adc
<b>Output</b>	Relay contact output (1 point or 2 point)
<b>Dead band</b>	±1% / scale length
<b>Contact capacity</b>	Maximum : 100Vac 1A, 200Vac 0.5A, 24Vdc 2A (resistance load)
<b>Relay operating time</b>	At startup : 1 seconds Normal operation : 0.1 seconds
<b>Operating temperature range</b>	-10 to +60°C
<b>Effects of ambient temperature</b>	±0.01% FS per °C
<b>Insulation resistance</b>	100MΩ or more with 500Vdc megger
<b>Dielectric strength</b>	Between circuit and case : 1500Vac for 1 minute, Between instrument and other circuit : 500Vac for 1 minute,
<b>Weight</b>	Approx. 800g (WSE-110K), 830g (WSE-4K)
<b>Power supply voltage</b>	100Vac / 110Vac / 200Vac / 220Vac / 24Vdc / 12Vdc
<b>Power consumption</b>	Approx. 2VA (1 point setting), Approx. 2.5VA (2 point setting)
<b>Panel size</b>	WSE-110K : 110 (H) x 110(W)mm, WSE-4K : 120 (H) x 120(W)mm

## Standard scale list

Max Scale Value	Scale (Zero left or bottom)
1, 10, 100	
1.5, 15, 150	
2, 20, 200	
3, 30, 300	
4, 40, 400	
5, 50, 500	
6	
7	
7.5, 75, 750	
8	

Max Scale Value	Scale (Zero center)
±1, ±10, ±100	
±1.5, ±15, ±150	
±2, ±20, ±200	
±3, ±30, ±300	
±4, ±40, ±400	
±5, ±50, ±500	
±7.5, ±75, ±750	

Notes : Contact us for special scale other than the above.

- 1) Color scale / letter / digit / band
- 2) Double / Triple extended scale etc.

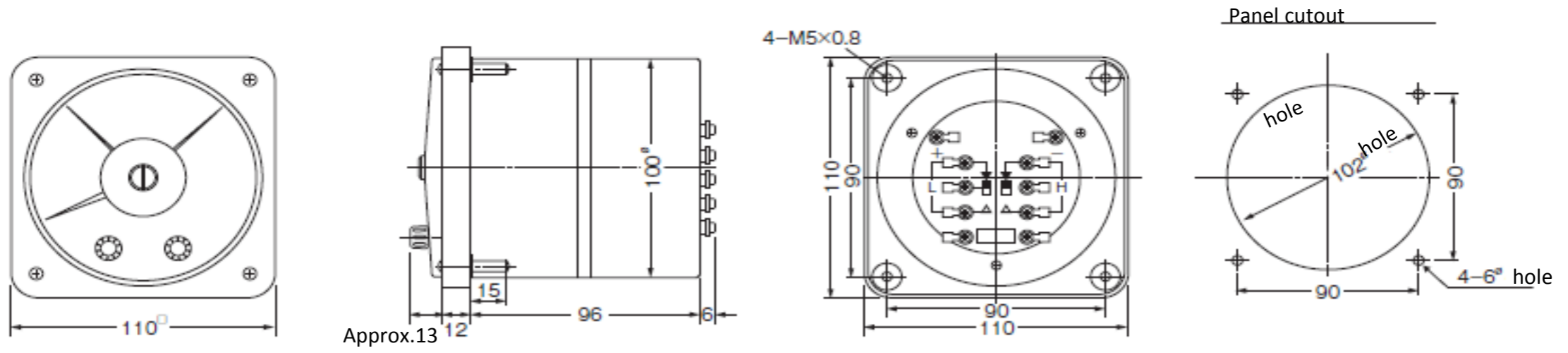
## Unit list

<u>m</u> A	cc	kΩ	mm	t/h
<u>m</u> A	cm/min	ℓ	mm <sup>3</sup>	μA
<u>m</u> A	cpm	ℓ/h	mm/min	μm
<u>A</u>	deg	ℓ/min	mm/s	μs
<u>A</u>	g	ℓ/s	mN	VA
<u>A</u>	Hz	lx	m/h	W
<u>m</u> V	kA	MPa	m/s	<u>W</u>
<u>m</u> V	kg	MW	N	<u>W</u>
<u>m</u> V	kg/cm <sup>2</sup>	MΩ	Pa	Ω
<u>V</u>	kHz	m	pH	%
<u>V</u>	kℓ	m <sup>2</sup>	ppm	°C
<u>V</u>	km	m <sup>3</sup>	rpm	°F
<u>k</u> V	km/h	mg	s	
<u>k</u> V	kPa	mg/ℓ	t	
<u>k</u> V	kW	mℓ	ton	

Notes : Contact us for other than the above.

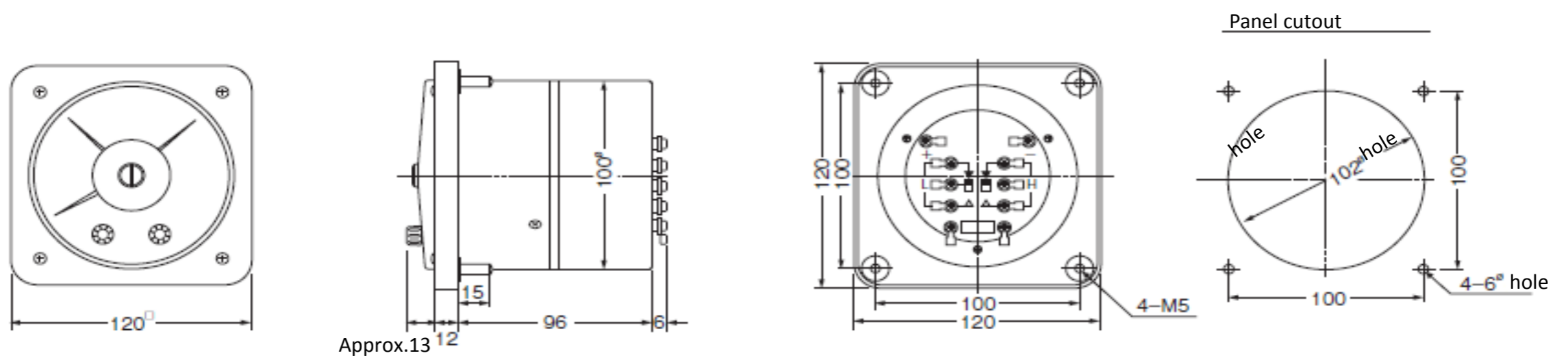
# Dimensions

## WSE-110K



Unit : mm

## WSE-4K



Unit : mm

\* Specification is subject to change without notice