

# Transmitter With Two Outputs

## TW-2XA

**NEW!**



### Input Specifications

Code No.	Input	Input Resistance
0	0 to 5V DC	more than 1M $\Omega$
1	1 to 5V DC	
2	0 to 10V DC	
A	4 to 20mA DC	250 $\Omega$
Y		Special

Y specification

Input voltage: less than 250V DC min span 0.1V DC  
Input Current: less than 50mA DC min. span 1mA DC

### Output Specifications (1st, 2nd output)

Code No.	Output signal	Load Resistance
0	0 to 5V DC	more than 2K $\Omega$
1	1 to 5V DC	
2	0 to 10V DC	more than 4K $\Omega$
A	4 to 20mA DC	less than 550 $\Omega$
Y		Special

Y specification

Output voltage: less than  $\pm 10$ V DC min. span 1V DC  
Output Current: less than 20mA DC min. span 1mA DC

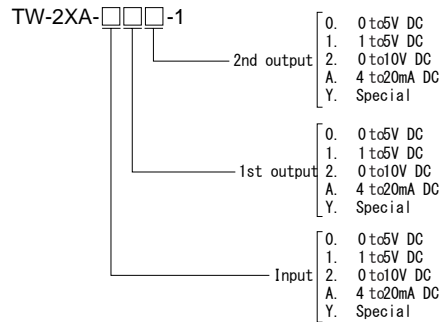
### General Specification

Accuracy:  $\pm 0.1\%$  F. S ( $25^{\circ}\text{C} \pm 2^{\circ}\text{C}$ )  
 Temperature Characteristic:  $\pm 0.02\%$  F. S/ $^{\circ}\text{C}$   
 Response time: less than 50msec (0 to 90%)  
 Insulation resistance: Between input and output 1, output 2, power supply more than 100M  $\Omega$  (500V DC)  
 Dielectric strength: Between input and output 1, output 2, power supply 1500V AC per 1 min.  
 Power supply: 100 to 240V AC  $\pm 10\%$   
 Operating temperature:  $-5$  to  $50^{\circ}\text{C}$  less than 90%RH (No condensing)  
 Power consumption: Less than 45mA at 100V AC  
 Less than 30mA at 200V AC  
 Weight: Approx. 130g  
 Accessory: Instruction manual, terminal cover

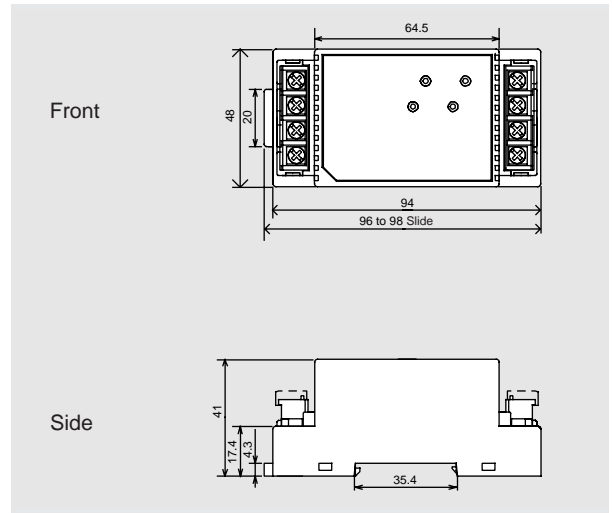
### Features

- DIN Rail mount
- AC Power Supply 100 to 240V AC  $\pm 10\%$
- 2 Outputs

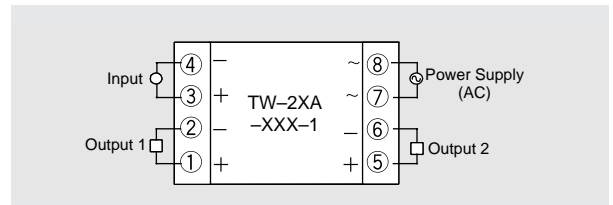
### Ordering Code



### Dimensions



### Connection Diagram



### Block Diagram

