

# Terminal Type AC Voltage Isolated Transducer

## MODEL TZ-5EA

**NEW!**



### Input Specification

AC Voltage (AC-coupled true RMS measurement)

Code No.	Input signal	Input resistance	Input allowable range
1	0 to 35V AC	More than 200kΩ	less than 150% (The upper limit 300V AC)
2	0 to 100V AC	More than 1MΩ	
3	0 to 110V AC		
4	0 to 200V AC		
5	0 to 220V AC		
Y	Other than the above		

For Code No. Y

Limit of specifications

Less than 300 V AC and more than 0 V AC

Span : Less than 300 V AC and more than 4 V AC

Input frequency : 40 to 1000Hz

Note : A measurement error may become larger when higher harmonic wave components of more than input frequency are contained.

### Output Specification

Code No.	Output signal	Allowable Loadresistance
0	0 to 5V DC	More than 2kΩ
1	1 to 5V DC	
2	0 to 10V DC	More than 4kΩ
3	-10 to 10V DC	Negative output: more than 10kΩ
4	-2 to 2VDC	More than 2kΩ
5	-2.5 to 2.5VDC	Negative output: more than 10kΩ
6	-5 to 5VDC	More than 2kΩ
7	0 to 4VDC	
A	4 to 20mADC	Less than 550Ω
B	0 to 20mADC	
Y	Other than the above	

For code No. Y

Limit of specifications

Voltage output : Less than +15 VDC and more than -12 VDC

Minimum span : Less than +27 VDC and more than 0.06 VDC

(Road resistance : 10kΩ at the output exceeding 10V, and a negative output)

(Base accuracy : ±0.25 %F.S and temperature characteristic : ±0.03 %F.S/°C for a span of less than 1V)

Current output : Less than +20 mADC and more than 0 mADC

Minimum span : Less than +20 mADC and more than 1 mADC

Outputs can be reversed for both voltage and current outputs.

### General Specifications

Base Accuracy : ±0.2%F.S (5 to 100%F.S)(25°C±2°C)

±1.0%F.S (0 to 5%F.S)(25°C±2°C)

Power supply variation : ±0.06 %F.S (±0.5% to the input of 0 to 5%)

Load resistance variation : ±0.06 %F.S

Frequency variation : ±0.2 %F.S (Based on 60Hz)

Temperature characteristic : ±0.02 %F.S/°C

Response time : Less than 700msec (0→90%)

Front adjustments : ±5% for zero and span

Insulation resistance : Between input and output/power supply ;

More than 100MΩ at 500 VDC

Dielectric strength : Between input and output/power supply ;

For 1 min. at 1500VAC

Power supply voltage : 24VDC ±10 %

Consuming current : Less than 30mA (24VDC at voltage output)

Less than 50mA (24VDC at current output)

Operating ambient temperature : -5 to 50°C

Operating ambient humidity : Less than 90 %RH (No-condensing)

Storage temperature : -10 to 70°C

Storage humidity : Less than 60%RH (No-condensing)

Case material : ABS resin(Black) 94V-2

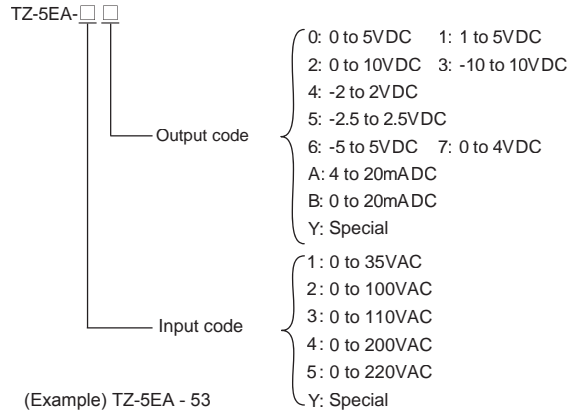
Weight : Approx. 80g

Vibration resistance : Frequency: 10 to 55Hz; amplitude(half): 0.15mm to 10 sweeps of 5 min each in X, Y, and Z directions

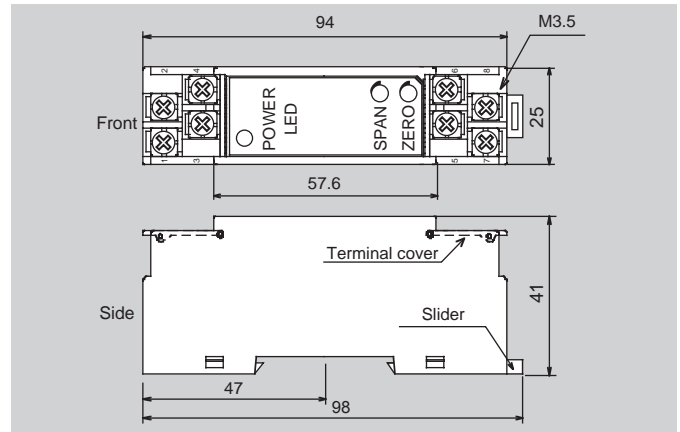
### Features

- DC power supply 24V DC
- DIN rail mounting
- Input/Output/Power supply isolated

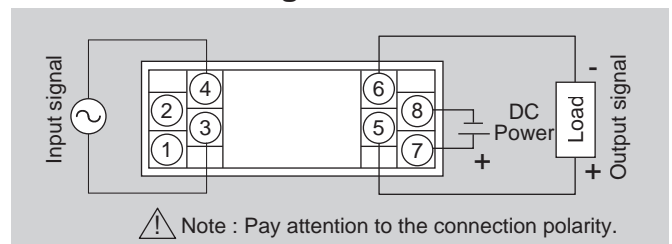
### Ordering Code



### Dimensions



### Connection Diagram



### Block Diagram

