

DC VOLTMETER & AMMETER

AP-301

*Compact Size, 14.2mm LED



DC Voltage Measurement

Model	Range	Maximum Resolution	Input Impedance	Input Protection
AP-301-11	±199.9mV	100 μ V	100M	±100V
AP-301-12	±1.999V	1mV	100M	±100V
AP-301-13	±19.99V	10mV	10M	±250V
AP-301-14	±199.9V	100mV	10M	±500V

Accuracy: $\pm 0.1\%$ rdg. ± 1 digit ($23^{\circ}\text{C} \pm 5^{\circ}\text{C}$)

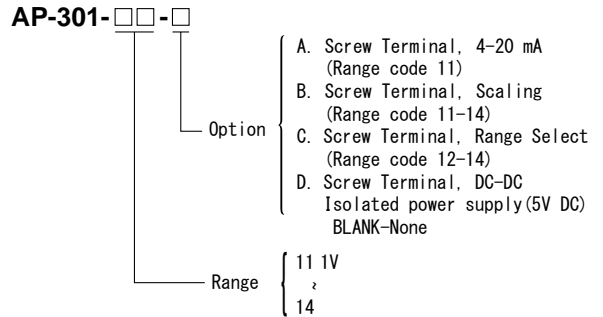
Specifications

Input Configuration: Single Ended
 Input Bias Current: 50pA (Typ.)
 Conversion Rate: 2.5/sec
 Normal Mode Rejection: 40dB (Typ.) (50/60Hz)
 Zero Stability: Automatic Zero Adjustment
 Display: LED, 14.2mm 3 1/2-digit
 Polarity: A "-" is displayed automatically
 Decimal Point: Settable to any digit position
 Overrange Indication: When input exceeds the maximum display, 1999 flashes
 Power Supply: DC5V $\pm 5\%$, 80mA (Max.)
 Operating Temperature: 0°C to 50°C , 35 to 85%RH
 Power Consumption: 400mW
 Dimensions: 36(H) · 72(W) · 29(D)mm DIN Size
 Weight: Approx. 35g
 Dielectric Strength: Between input (Lo) terminal and case, AC1500V/1 min.
 Between input (Lo) terminal and power supply (OV), DC500V
 Insulation Resistance: DC500V 100M at above terminals

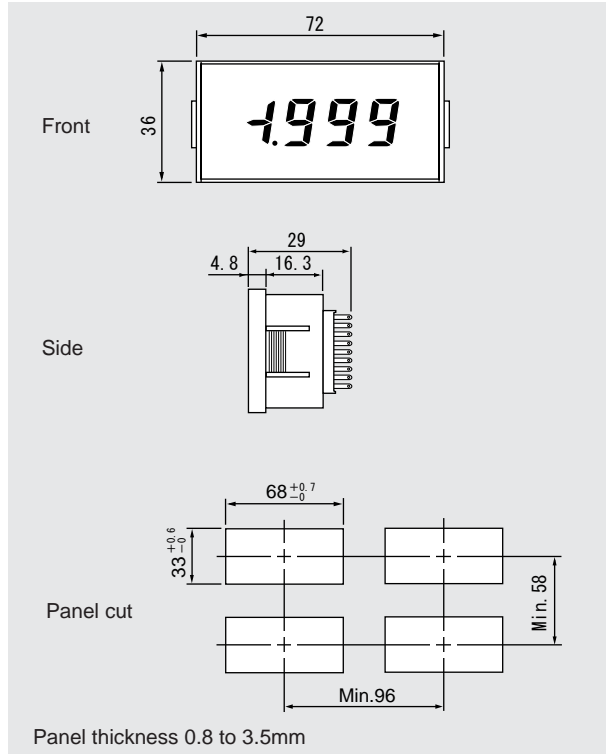
Features

- Compact Size, 36(H) · 72(W) · 29(D)mm
- Bright LED, 14.2mm (Red)
- DC5V(Non-Isolated)
- 200mV~200V Measurement
- Isolated DC24V Available (Option A or D)

Ordering Code



Dimensions



Connection Diagram

