



## Features

- ★ Standard DIN size.
- ★ Slim design (snap-in installation).
- ★ Short depth 34.5mm

## Ordering code

AP - 501B -   

Code	Input range
11	±199.9mV
12	±1.999V
13	±19.99V
14	±199.9V

## Input Specifications

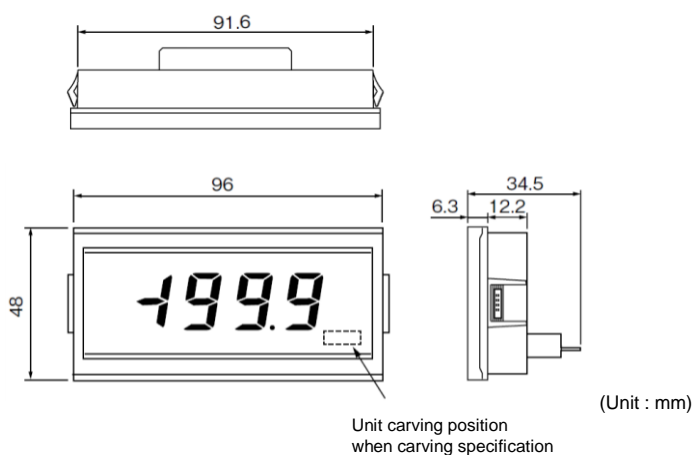
### ◆DC voltage

Model	Measurement range	Resolution	Impedance	Max. allowable input	Accuracy
AP-502A-11	±199.9mV	100μV	100MΩ	±100V	±(0.1% reading +1 digit)
AP-502A-12	±1.999V	1mV	10MΩ	±250V	
AP-502A-13	±19.99V	10mV			
AP-502A-14	±199.9V	100mV	±500V		

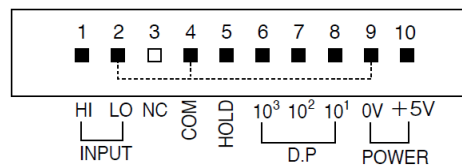
## Specifications

<b>Display</b>	Red 7 segment LED (height 14.2mm)
<b>Polarity</b>	'-' is displayed at negative polarity
<b>Display range</b>	±1999 (3 1/2 digits)
<b>Scaling function</b>	None
<b>Over range display</b>	When input exceeds the max. display, 1999 or -1999 flashes
<b>Decimal point</b>	Able to set to any digit (Switches by key switch)
<b>Zero display</b>	Leading zero suppression
<b>Operating temperature</b>	0 to 50°C
<b>Operating relative humidity</b>	35 to 85% (non-condensing)
<b>Power supply</b>	5Vdc ±5% (non-isolation)
<b>Power consumption</b>	100mA max.
<b>Dimensions</b>	96mm(W) x 48mm(H) x 34.5mm(D)
<b>Weight</b>	Approx. 50g
<b>Dielectric strength</b>	1500Vac per 1 min. : Between input terminal (LO) and mounted plate
<b>Insulation resistance</b>	500Vdc, 100MΩ or more on the above terminals
<b>Sampling rate</b>	Approx. 400ms (2.5 times per second)
<b>Built in excitation (Sensor power supply)</b>	None
<b>Standard accessory</b>	Connector

## Dimensions



## Terminal Connections



No.	Terminal name	Remarks
1	HI (+)	Input terminal (+)
2	HI (-)	Input terminal (-)
3	NC	No connection
4	COM	External control common terminal
5	HOLD	Hold
6	D.P 10 <sup>3</sup>	Decimal point 10 <sup>3</sup>
7	D.P 10 <sup>2</sup>	Decimal point 10 <sup>2</sup>
8	D.P 10 <sup>1</sup>	Decimal point 10 <sup>1</sup>
9	POWER (-)	Power supply terminal (-)
10	POWER (+)	Power supply terminal (+)

\* Specification is subject to change without notice