

# UNIVERSAL TYPE DIGITAL PANEL METER

## A8000



### Input Specifications

#### DC voltage, current

##### ●A8□□1-0□ (DC voltage)

range	Measurement Range	Display	Input Protection	Accuracy (23°C ± 5°C, 35 to 85%RH)
11	± 199.99mV	offset ± 19999 full scale ± 19999	± 50V	± (0.1% of rdg + 2 digit)
12	± 1.9999V		± 50V	
13	± 19.999V		± 250V	
14	± 199.99V		± 250V	

##### ●A8□□2-0□ (DC current)

range	Measurement Range	Display	Input Protection	Accuracy (23°C ± 5°C, 35 to 85%RH)
22	± 1.9999mA	offset ± 19999 full scale ± 19999	± 50mA	± (0.2% of rdg + 2 digit)
23	± 19.999mA		± 50mA	
24	± 199.99mA		± 3A	
25	± 1999.9mA		± 3A	

#### AC voltage, current (TRUE-RMS)

##### ●A8□□4-0□ (AC voltage)

range	Measurement Range	Display	Input Protection	Accuracy (23°C ± 5°C, 35 to 85%RH)
11	199.99mV	offset ± 19999 full scale ± 19999	50V	± (0.2% of rdg + 20 digit)
12	1.9999V		50V	
13	19.999V		250V	
14	199.99V		250V	

Frequency range : 40Hz to 1kHz

Response time : Approx 1 sec (10% to 90%)

Dead band : 100 digit

##### ●A8□□5-0□ (AC current)

range	Measurement Range	Display	Input Protection	Accuracy (23°C ± 5°C, 35 to 85%RH)
23	19.999mA	offset ± 19999 full scale ± 19999	50mA	± (0.5% of rdg + 20 digit)
24	199.99mA		3A	
25	1999.9mA		3A	

Frequency range : 40Hz to 1kHz

Response time : Approx 1 sec (10% to 90%)

Dead band : 100 digit

#### Process

##### ●A8□□B-0□

range	Measurement Range	Display	Input Protection	Accuracy (23°C ± 5°C, 35 to 85%RH)
1V	1 to 5V	Offset : ± 19999	± 50V	± (0.1% of rdg + 3digit)
2V	4 to 20mA	Fullscale ± 9999	± 50mA	± (0.2% of rdg + 3digit)

Excitation power supply : 24VDC ± 10% 30mA

#### Features

- Power Supply : 5V to 12VDC, 12V to 24VDC
- BCD Output (option)
- 4 1/2 digit

#### Thermocouple • RTD

##### ●A8□□C-0□ (Thermocouple)

range	Sensor type	Measurement Range	Maximum Resolution	Accuracy (23°C ± 5°C, 35 to 85%RH)
KA	K	-50.0 to 199.9°C	0.1°C	± (0.5% of FS)
KB	K	-50 to 1200°C	1°C	± (0.2% of FS)
J	J	-50 to 1000°C	1°C	± (0.2% of FS)
T	T	-50 to 400°C	1°C	± (0.6% of FS)
S	S	0 to 1700°C	1°C	± (0.4% of FS)
R	R	-10 to 1700°C	1°C	± (0.4% of FS)
B	B	100 to 1800°C	1°C	± (0.4% of FS) applied over 500°C

Cold junction compensator accuracy : ± 2°C (10 to 40°C)

Sensor lead resistance : less than 50

Linearizing method : Digital linearizing

Burn out alarm : - - - -

##### ●A8□□D-0□ (RTD)

range	Sensor type	Measurement Range	Maximum Resolution	Accuracy (23°C ± 5°C, 35 to 85%RH)
PA	PT100	-100.0 to + 199.9°C	0.1°C	± (0.15% of FS)
PB	PT100	-100 to + 600°C	1°C	± (0.3% of FS)

available Fahrenheit display

### Output Specification

#### ●BCD output

Type of output: Open collector or TTL  
 Logic: Changeable  
 Output rate: DC30V 10mA (open collector)  
 Funout 2 (TTL)

#### ●External Control

Hold: Shorted HOLD terminal and COM terminal or equipotential, Hold ON  
 Digital Zero: Shorted DZ terminal and COM terminal or equipotential, Digital zero ON  
 Peak Hold: Shorted PH terminal and COM terminal or equipotential, Peak hold ON

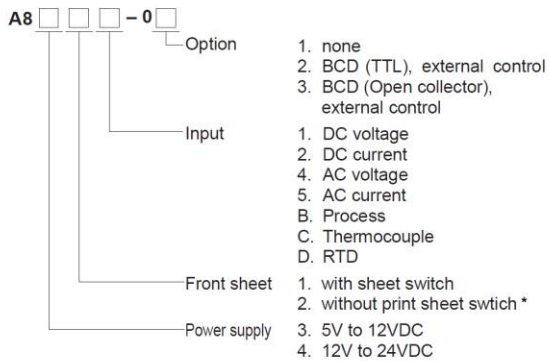
#### Common Specification

Display: Red LED 10mm height  
 Maximum display: -19999 to 19999  
 Conversion rate: 20times/sec  
 Overrange indication: When input exceed the maximum display display 0L or -0L  
 Zero display: Leading zero suppression  
 Decimal point: Settable to any digit position  
 Operating temp: 0 to 50° C (35 to 85% RH)  
 Storage temp: -10 to 70° C less than 60%RH  
 Power supply: 5V to 12VDC, 12V to 24VDC  
 Power consumption: Appro x 1.5W  
 Dimensions: 48mm (W) x 24mm (H) x 96mm (D)  
 DIN size  
 Weight (unit only): Appro x 100g  
 Dielectric strength: Power supply/input terminal/output terminal/external control DC500V/min  
 Input terminal/output terminal/external control DC500V/min  
 Case/each terminal AC1500V/min  
 Insulation resistance: DC500V more than 100M Ω at the above terminals

# UNIVERSAL TYPE DIGITAL PANEL METER

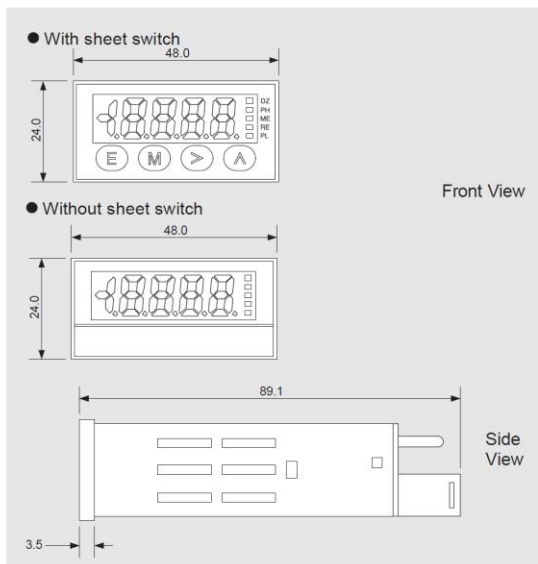
## A8000

### ■ Ordering Code



\*Note : If without print sheet switch, please inform range and scaling setting when ordering. (Factory setting)

### ■ Dimensions



We reserve the right to change specifications without notice.

**Watanabe Electric Industry Co.,Ltd**

**6-16-19, Jingumae, Shibuya-ku,**

**Tokyo 150-0001, Japan**

**Phone : +81-33400-6147**

**Fax : +81-33409-3156**

**<http://www.watanabe-electric.co.jp/en/>**

**Watanabe Electric Industry Co.,Ltd**