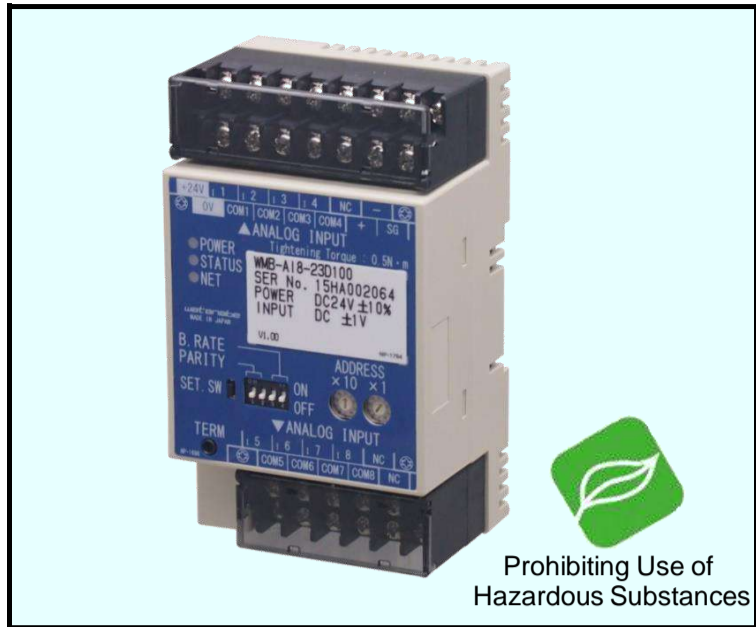


Analog Input Modbus Output Module

WMB-AI8



This is module which inputs 8ch of DC signal.
It is compatible with Modbus (RTU) of general purpose protocol.

Features

- ★ 8ch input of DC voltage / current
- ★ RS-485 Modbus (RTU) compatible
- ★ Zero span adjustment and low cut setting by RS-485
- ★ Baud rate and Node address setting by front switch
- ★ Easy maintenance by removable terminal block from body

Ordering code

WMB - AI8 - D 00

| Series | Type | Input | Power supply | Test report | Suffix | Description |
|--------|------|-------|--------------|-------------|--------|----------------------------------|
| WMB | AI8 | | | | | Series Modbus I/O module |
| | | 11 | | | | Type Analog input 8ch |
| | | 12 | | | | 0~100mVDC (Input resistance 1MΩ) |
| | | 13 | | | | 0~1VDC (Input resistance 1MΩ) |
| | | 14 | | | | 0~5VDC (Input resistance 1MΩ) |
| | | 15 | | | | 1~5VDC (Input resistance 1MΩ) |
| | | 23 | | | | 0~10VDC (Input resistance 1MΩ) |
| | | 24 | | | | ±1VDC (Input resistance 1MΩ) |
| | | 25 | | | | ±5VDC (Input resistance 1MΩ) |
| | | 25 | | | | ±10VDC (Input resistance 1MΩ) |
| | | 35 | | | | 0~20mADC (Input resistance 50Ω) |
| | | 36 | | | | 4~20mADC (Input resistance 50Ω) |
| | | 56 | | | | 4~20mADC (Input resistance 250Ω) |
| | | | D | | | Power supply 24VDC ±10% |
| | | | | 0 | | Test report Without test report |
| | | | | 1 | | Test report With test report |
| | | | | | 00 | Suffix Standard |

Specifications

Input Specifications

| | |
|----------------------------------|--|
| Input signal | DC voltage / current |
| Number of inputs | 8 |
| Input Configuration | Single ended |
| A/D conversion | ΔΣ conversion |
| Sampling rate | Apprx. 150ms/1ch |
| Allowable input | ±0.1% Full scale |
| Influence of ambient temperature | ±0.01% Full scale per °C |
| Input common | 1 common for each input |
| Setting | Span/zero adjustment, Simulated input, Low cut (Setting by RS-485) |

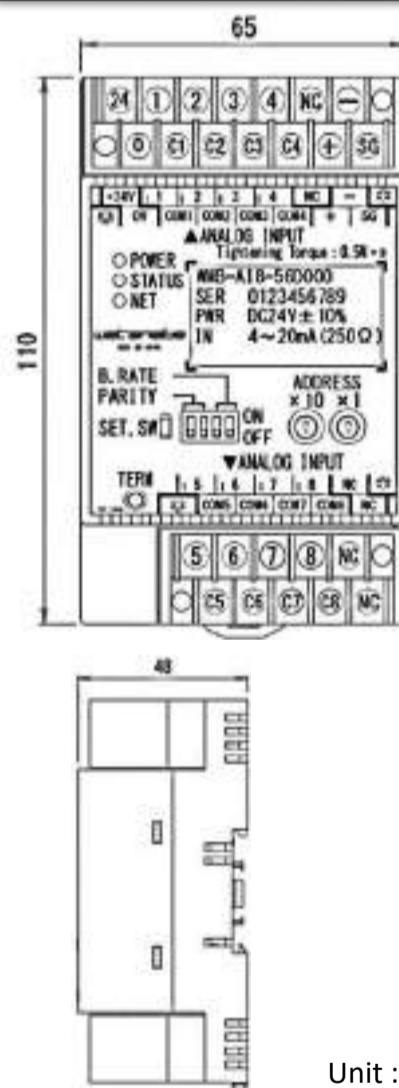
Standard Specifications

| | |
|--------------------------------|--|
| Power supply | 24VDC ±10% |
| Power consumption | Less than 50mA max. |
| Operating temperature/humidity | -5 to 55°C, 90% (non-condensing) |
| Storage temperature/humidity | -20 to 60°C, 90% (non-condensing) |
| Warm-up time | 30 min |
| Dielectric strength | 1500VAC per 1 min. : Between Power |
| Insulation resistance | 500Vdc, 100MΩ or more |
| Dimensions | 65(W) x 110(H) x 48mm(D) DIN size |
| Weight | Approx. 220g |
| Connection | M3 screw terminal block (removable), 14P, 10P (Tightening torque 0.5N·m) |
| Mounting | DIN rail or wall surface |

RS-485 Specifications

| | |
|------------------------|--|
| Standard | Conform to RS-485 |
| Baud rate | 4800 / 9600 / 19200 / 38400 bps (Selectable by DIP switch) |
| Terminal resistance | Approx. 120Ω (Standard accessory) |
| Max. No. of connection | 31 |
| Node address | 1 to 99 (Setting by Rotary switch) |
| Transmission distance | Approx. 500m or less (Depends on connection device and) |
| Communication form | 1:N communication |
| Protocol | Modbus (RTU) protocol |

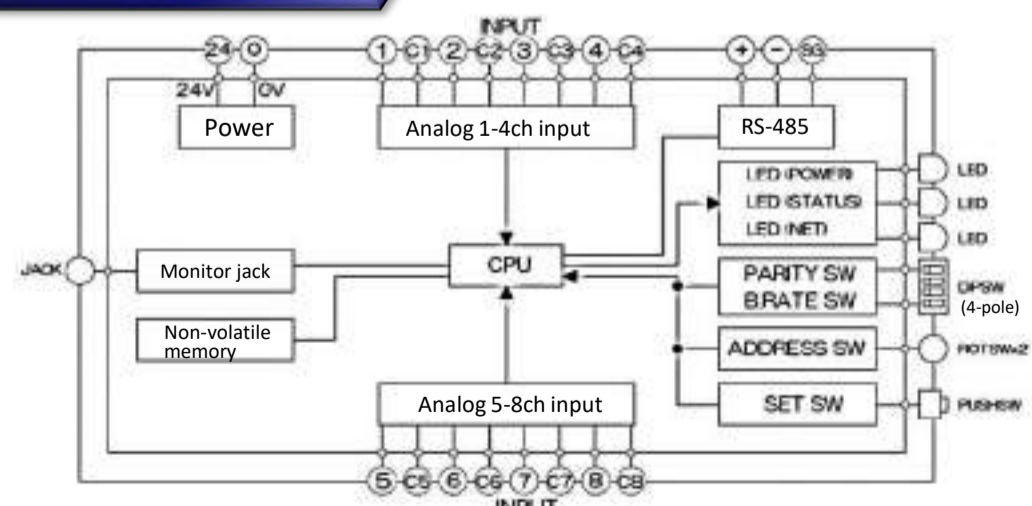
Demensions



| No | Symbol | Description |
|----|--------------|-----------------------|
| 24 | Power supply | +24V Power supply |
| 0 | | 0V |
| 1 | Analog input | I1 Analog input 1 |
| C1 | | COM1 Common 1 |
| 2 | | I2 Analog input 2 |
| C2 | | COM2 Common 2 |
| 3 | | I3 Analog input 3 |
| C3 | | COM3 Common 3 |
| 4 | | I4 Analog input 4 |
| C4 | | COM4 Common 4 |
| | NC | No connection |
| + | RS485 | + RS-485 + terminal |
| - | | - RS-485 - terminal |
| SG | | SG RS-485 SG terminal |
| 5 | Analog input | I5 Analog input 5 |
| C5 | | COM5 Common 5 |
| 6 | | I6 Analog input 6 |
| C6 | | COM6 Common 6 |
| 7 | | I7 Analog input 7 |
| C7 | | COM7 Common 7 |
| 8 | | I8 Analog input 8 |
| C8 | | COM8 Common 8 |
| | NC | No connection |
| | NC | No connection |

Unit : mm

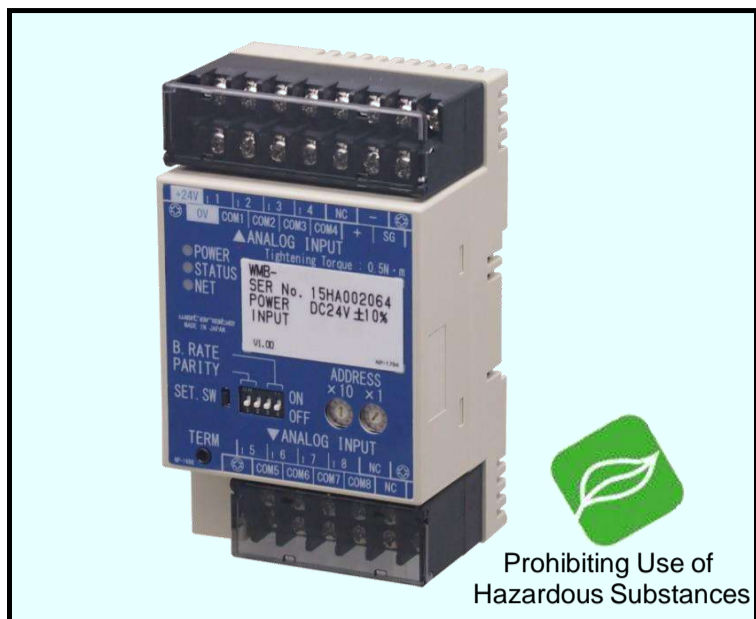
Block Diagram



* Specification is subject to change without notice

Analog / RTD Input Modbus Output Module

WMB-MAI6



This is module which inputs 3ch of DC signal and 3ch of RTD input. It is compatible with Modbus (RTU) of general purpose protocol.

Features

- ★ 3ch input of DC voltage / current, and 3ch RTD input (Total 6ch)
- ★ RS-485 Modbus (RTU) compatible
- ★ Zero span adjustment and low cut setting by RS-485
- ★ Baud rate and Node address setting by front switch
- ★ Easy maintenance by removable terminal block from body

Ordering code

WMB - MAI6 - F D 00

| Series | Type | Input | RTD Type | Power supply | Test report | Suffix | Description |
|--------|------|-------|----------|--------------|-------------|--------|--------------------------------------|
| WMB | MAI6 | | | | | | Series Modbus I/O module |
| | | | | | | | Type Analog input 3ch, RTD input 3ch |
| | | 11 | | | | | 0~100mVDC (Input resistance 1MΩ) |
| | | 12 | | | | | 0~1VDC (Input resistance 1MΩ) |
| | | 13 | | | | | 0~5VDC (Input resistance 1MΩ) |
| | | 14 | | | | | 1~5VDC (Input resistance 1MΩ) |
| | | 15 | | | | | 0~10VDC (Input resistance 1MΩ) |
| | | 23 | | | | | ±1VDC (Input resistance 1MΩ) |
| | | 24 | | | | | ±5VDC (Input resistance 1MΩ) |
| | | 25 | | | | | ±10VDC (Input resistance 1MΩ) |
| | | 35 | | | | | 0~20mADC (Input resistance 50Ω) |
| | | 36 | | | | | 4~20mADC (Input resistance 50Ω) |
| | | 56 | | | | | 4~20mADC (Input resistance 250Ω) |
| | | | F | | | | RTD Type Pt100Ω |
| | | | | D | | | Power supply 24VDC ±10% |
| | | | | | 0 | | Without test report |
| | | | | | 1 | | With test report |
| | | | | | | 00 | Suffix Standard |

Specifications

Input Specifications

| | |
|----------------------------------|--|
| Input signal | DC voltage / current, RTD |
| Number of inputs | 3ch Analog input, 3ch RTD input (Total 6ch) |
| Input Configuration | Single ended |
| A/D conversion | ΔΣ conversion |
| Sampling rate | Approx. 150ms/1ch |
| Allowable input | ±0.1% Full scale |
| Influence of ambient temperature | ±0.01% Full scale per °C |
| Input common | 1 common for each input |
| Setting | Span/zero adjustment, Simulated input, Low cut (Setting by RS-485) |
| RTD Type | Pt100Ω |
| RTD temperature range | -50°C to 200°C |

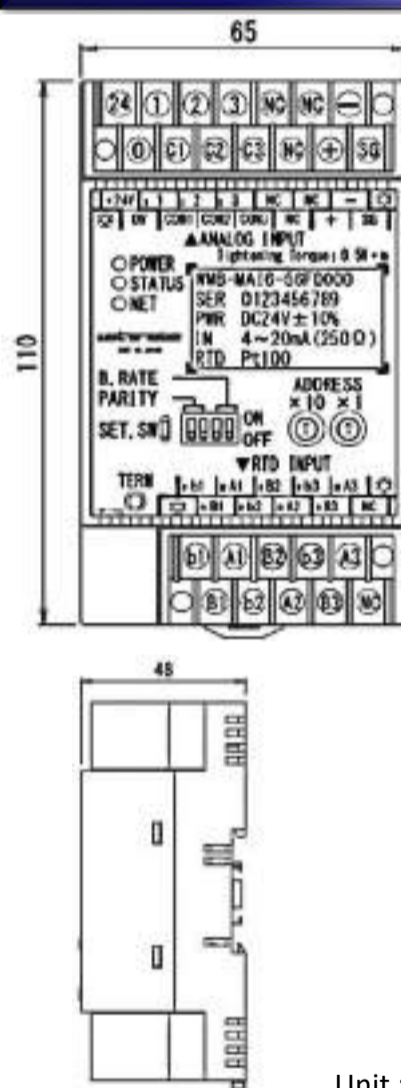
Standard Specifications

| | |
|--------------------------------|--|
| Power supply | 24VDC ±10% |
| Power consumption | Less than 50mA max. |
| Operating temperature/humidity | -5 to 55°C, 90% (non-condensing) |
| Storage temperature/humidity | -20 to 60°C, 90% (non-condensing) |
| Warm-up time | 30 min |
| Dielectric strength | 1500VAC per 1 min. : Between Power |
| Insulation resistance | 500Vdc, 100MΩ or more |
| Dimensions | 65(W) x 110(H) x 48mm(D) DIN size |
| Weight | Approx. 220g |
| Connection | M3 screw terminal block (removable), 14P, 10P (Tightening torque 0.5N-m) |
| Mounting | DIN rail or wall surface |

RS-485 Specifications

| | |
|------------------------|--|
| Standard | Conform to RS-485 |
| Baud rate | 4800 / 9600 / 19200 / 38400 bps (Selectable by DIP switch) |
| Terminal resistance | Approx. 120Ω (Standard accessory) |
| Max. No. of connection | 31 |
| Node address | 1 to 99 (Setting by Rotary switch) |
| Transmission distance | Approx. 500m or less (Depends on connection device and) |
| Communication form | 1:N communication |
| Protocol | Modbus (RTU) protocol |

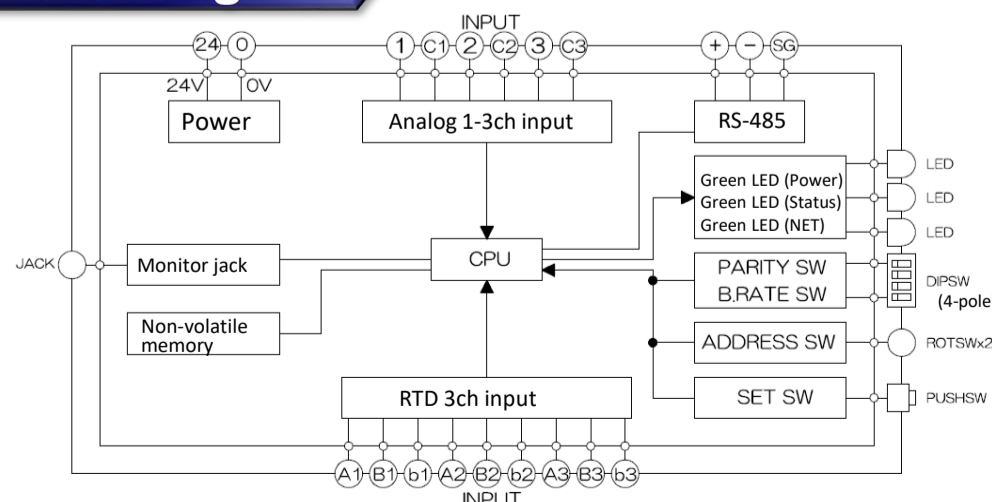
Dimensions



| No | Symbol | Description |
|----|-------------------|-----------------------|
| 24 | Power supply | +24V Power supply |
| 0 | | 0V |
| 1 | Analog input | I1 Analog input 1 |
| C1 | | COM1 Common 1 |
| 2 | | I2 Analog input 2 |
| C2 | | COM2 Common 2 |
| 3 | I3 Analog input 3 | |
| C3 | COM3 Common 3 | |
| | NC | No connection |
| | NC | No connection |
| | NC | No connection |
| + | RS485 | + RS-485 + terminal |
| - | | - RS-485 - terminal |
| SG | | SG RS-485 SG terminal |
| b1 | RTD input | b1 RTD input b1 |
| B1 | | B1 RTD input B1 |
| A1 | | A1 RTD input A1 |
| b2 | | b2 RTD input b2 |
| B2 | | B2 RTD input B2 |
| A2 | | A2 RTD input A2 |
| b3 | | b3 RTD input b3 |
| B3 | | B3 RTD input B3 |
| A3 | | A3 RTD input A3 |
| | NC | No connection |

Unit : mm

Block Diagram



* Specification is subject to change without notice



This is module which inputs 16ch of Relay or Open collector ON/OFF. Also able to integrate input signal from pulse output device. It is compatible with RS-485 Modbus (RTU) of general purpose protocol.

Features

- ★ 16ch input of Relay / Open collector ON/OFF, pulse signal
- ★ RS-485 Modbus RTU communication
- ★ Able to expand Input to 32ch by Expansion module
- ★ Easy maintenance by removable terminal block from body
- ★ Storage integrated value in nonvolatile memory at power failure

Ordering code

WMB - DI16 - 00D - 00

| Series | Type | Expansion | Option | Power supply | Test report | Suffix | Description |
|--------|------|-----------|--------|--------------|-------------|--------|---------------------------------|
| WMB | DI16 | None | 00 | D | 0 | 00 | Series Modbus I/O module |
| | | A | | | 1 | | Type Digital Input 16ch |
| | | | | | | | Expansion Main module |
| | | | | | | | Expansion Expansion module * |
| | | | | | | | Option None |
| | | | | | | | Power supply 24VDC ±10% |
| | | | | | | | Test report Without test report |
| | | | | | | | Test report With test report |
| | | | | | | | Suffix Standard |

* Expansion module WMB-DI16A cannot use independently, WMB-DI16A can connect only WMB-DI16

Specifications

◆ Standard Specifications

| | |
|---------------------------------------|---|
| Power supply | 24VDC ±10% |
| Power consumption | DI16 : Approx.130mA (DC24V) DI16A : Approx.80mA (DC24V) |
| Operating temperature/humidity | -5 to 55°C, 90% (non-condensing) |
| Storage temperature/humidity | -20 to 60°C, 90% (non-condensing) |
| Warm-up time | 30 min |
| Dielectric strength | DI16 : 1500VAC per 1 min. Between Power - Communication - Internal circuit - Output DI16A : 1500VAC per 1 min. Between Internal circuit - Input - Output |
| Insulation resistance | 500VDC, 100MΩ or more |
| Dimensions | 65(W) x 110(H) x 48mm(D) DIN size |
| Weight | DI16 : Approx.220g DI16A : Approx.200g |
| Connection | M3 screw terminal block (removable), 14P, 10P (Tightening torque 0.5N·m) |
| Mounting | DIN rail or wall surface |

◆ RS-485 Specifications

| | |
|-------------------------------|---|
| Standard | Conform to RS-485 |
| Baud rate | 4800 / 9600 / 19200 / 38400 bps (Selectable by DIP switch) |
| Terminal resistance | Approx. 120Ω (DI-16:Standard accessory) |
| Max. No. of connection | 31 |
| Node address | 1 to 99 (Setting by Rotary switch) |
| Transmission distance | Approx. 500m or less (Depends on connection device and) |
| Communication form | 1:N communication |
| Protocol | Modbus (RTU) protocol |

◆ Input Specifications (Main module WMB-DI16)

| | |
|-------------------------|--|
| Input signal | Pulse/ no-voltage contact or transistor output · Input sense current : Approx. 4.2mA (when ON resistance is 0 Ω) · Input pull-up voltage : 24VDC (Power supply and internal common) · Input pulse ON time : 10ms or more · Input pulse OFF time : 10ms or more |
| Number of inputs | 16 |
| Input common | Negative common : 1 common for 8 input |
| Input frequency | 50Hz or less |
| Setting | Max. pulse, Pulse reset, Time integration reset |

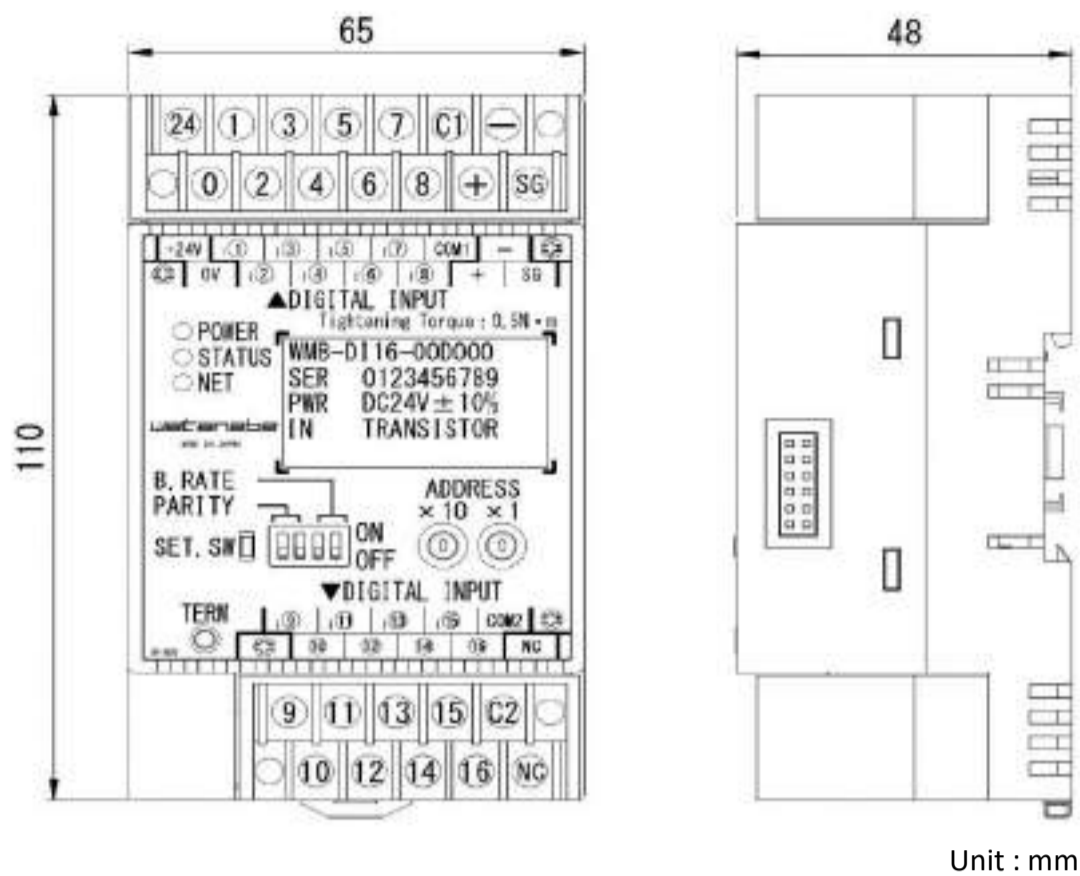
◆ Input Specifications (Expansion module WMB-DI16A)

| | |
|-------------------------|--|
| Input signal | Pulse/ no-voltage contact or transistor output · Input sense current : Approx. 4.2mA (when ON resistance is 0 Ω) · Input pull-up voltage : 24VDC (Power supply and internal common) · Input pulse ON time : 25ms or more · Input pulse OFF time : 25ms or more |
| Number of inputs | 16 |
| Input common | Negative common : 1 common for 8 input |
| Input frequency | 15Hz or less |
| Setting | Max. pulse, Pulse reset, Time integration reset |

* Specification is subject to change without notice

Dimensions / Terminal connections

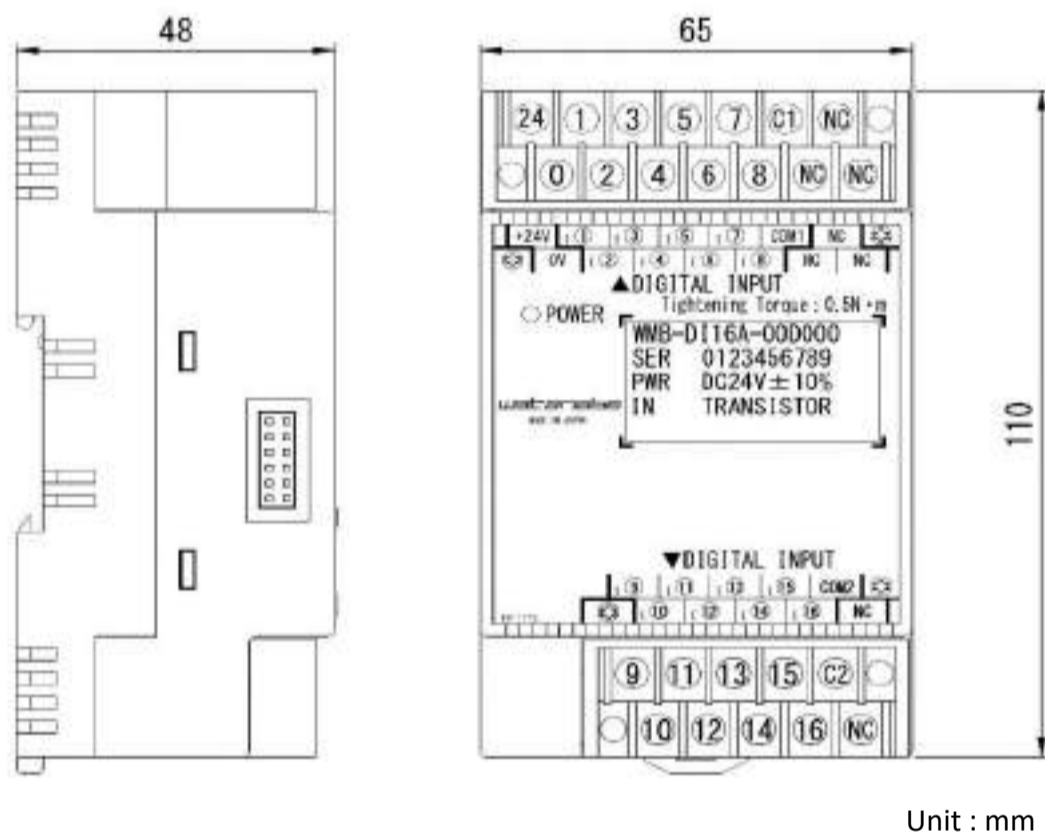
WMB-DI16



Unit : mm

| No | Symbol | Description | |
|----|---------------------|---|--------------------------------------|
| 24 | Power supply | +24V Power supply + terminal (24VDC ±10%) | |
| 0 | Power supply | 0V Power supply - terminal | |
| 1 | Digital input | I1 Digital input 1 | |
| 2 | | I2 Digital input 2 | |
| 3 | | I3 Digital input 3 | |
| 4 | | I4 Digital input 4 | |
| 5 | | I5 Digital input 5 | |
| 6 | | I6 Digital input 6 | |
| 7 | | I7 Digital input 7 | |
| 8 | | I8 Digital input 8 | |
| C1 | COM1 | Common 1 (For Digital input 1 to 8) | |
| + | RS485 (Modbus) | RS-485 + terminal | |
| - | | RS-485 - terminal | |
| SG | SG | RS-485 SG terminal | |
| 1 | Digital output | O1 Digital output 1 | |
| 2 | | O2 Digital output 2 | |
| 3 | | O3 Digital output 3 | |
| 4 | | O4 Digital output 4 | |
| C2 | | COM2 | Common 2 (For Digital output 1 to 4) |
| 5 | | O5 Digital output 5 | |
| 6 | | O6 Digital output 6 | |
| 7 | | O7 Digital output 7 | |
| 8 | O8 Digital output 8 | | |
| C3 | COM3 | Common 3 (For Digital output 5 to 8) | |

WMB-DI16A

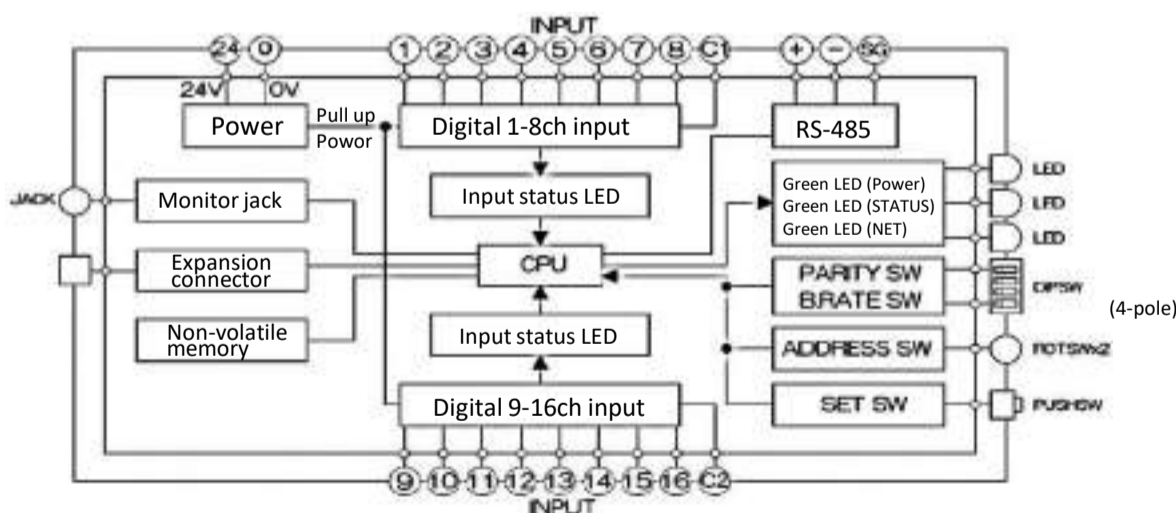


Unit : mm

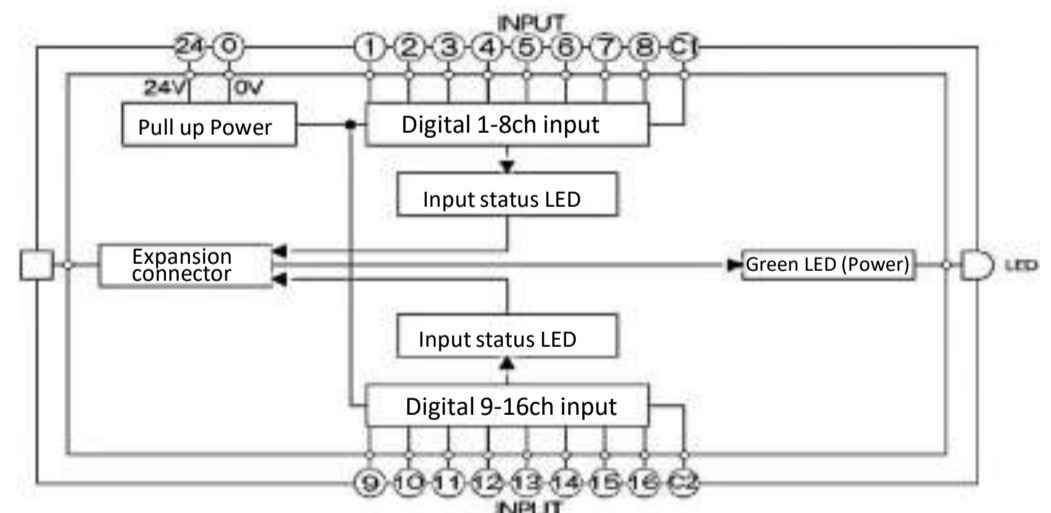
| No | Symbol | Description | |
|----|---------------------|---|--------------------------------------|
| 24 | Power supply | +24V Power supply + terminal (24VDC ±10%) | |
| 0 | | 0V Power supply - terminal | |
| 1 | Digital input | I1 Digital input 1 | |
| 2 | | I2 Digital input 2 | |
| 3 | | I3 Digital input 3 | |
| 4 | | I4 Digital input 4 | |
| 5 | | I5 Digital input 5 | |
| 6 | | I6 Digital input 6 | |
| 7 | | I7 Digital input 7 | |
| 8 | | I8 Digital input 8 | |
| C1 | COM1 | Common 1 (For Digital input 1 to 8) | |
| | NC | No connection | |
| | NC | | |
| | NC | | |
| 1 | Digital output | O1 Digital output 1 | |
| 2 | | O2 Digital output 2 | |
| 3 | | O3 Digital output 3 | |
| 4 | | O4 Digital output 4 | |
| C2 | | COM2 | Common 2 (For Digital output 1 to 4) |
| 5 | | O5 Digital output 5 | |
| 6 | | O6 Digital output 6 | |
| 7 | | O7 Digital output 7 | |
| 8 | O8 Digital output 8 | | |
| C3 | COM3 | Common 3 (For Digital output 5 to 8) | |

Block Diagram

WMB-DI16



WMB-DI16A



* Specification is subject to change without notice



This is module which inputs 8ch of Relay or Open collector ON/OFF and outputs 8ch Relay. Also able to integrate input signal from pulse output device. It is compatible with RS-485 Modbus (RTU) of general purpose protocol.

Features

- ★ 8ch input of Relay / Open collector ON/OFF, pulse signal
- ★ Outputs 8ch Relay
- ★ RS-485 Modbus RTU communication
- ★ Able to expand Input & output to 16ch by Expansion module
- ★ 4 types output operation (Normal, Reverse, One shot, Start-stop)
- ★ Easy maintenance by removable terminal block from body
- ★ Storage integrated value in nonvolatile memory at power failure

Ordering code

WMB - DIO8R - 00D 00

| Series | Type | Output | Expansion | Option | Power supply | Test report | Suffix | Description |
|--------|------|--------|-----------|--------|--------------|-------------|--------|------------------------------------|
| WMB | DIO8 | R | None | 00 | D | 0 | 00 | Series: Modbus I/O module |
| | | | A | | | 1 | | Type: Digital I/O 8ch |
| | | | | | | | | Output: Relay output (Normal open) |
| | | | | | | | | Expansion: Main module |
| | | | | | | | | Expansion: Expansion module * |
| | | | | | | | | Option: None |
| | | | | | | | | Power supply: 24VDC ±10% |
| | | | | | | | | Test report: Without test report |
| | | | | | | | | Test report: With test report |
| | | | | | | | | Suffix: Standard |

* Expansion module WMB-DIO8RA cannot use independently, WMB-DIO8RA can connect only WMB-DIO8

Specifications

Standard Specifications

| | |
|--------------------------------|---|
| Power supply | 24VDC ±10% |
| Power consumption | DIO8R : Approx.180mA DIO8RA : Approx.120mA |
| Operating temperature/humidity | -5 to 55°C, 90% (non-condensing) |
| Storage temperature/humidity | -20 to 60°C, 90% (non-condensing) |
| Warm-up time | 30 min |
| Dielectric strength | DIO8R : 1500VAC per 1 min. Between Power - Communication - Internal circuit - Output DIO8RA : 1500VAC per 1 min. Between Internal circuit - Input - Output |
| Insulation resistance | 500VDC, 100MΩ or more |
| Dimensions | 65(W) x 110(H) x 48mm(D) DIN size |
| Weight | DIO8R : Approx.250g DIO8RA : Approx.230g |
| Connection | M3 screw terminal block (removable), 14P, 10P (Tightening torque 0.5N·m) |
| Mounting | DIN rail or wall surface |

RS-485 Specifications

| | |
|------------------------|--|
| Standard | Conform to RS-485 |
| Baud rate | 4800 / 9600 / 19200 / 38400 bps (Selectable by DIP switch) |
| Terminal resistance | Approx. 120Ω (DIO8R:Standard accessory) |
| Max. No. of connection | 31 |
| Node address | 1 to 99 (Setting by Rotary switch) |
| Transmission distance | Approx. 500m or less (Depends on connection device and) |
| Communication form | 1:N communication |
| Protocol | Modbus (RTU) protocol |

Input Specifications (Main module WMB-DIO8R)

| | |
|------------------|--|
| Input signal | Pulse/ no-voltage contact or transistor output · Input sense current : Approx. 4.2mA (when ON resistance is 0 Ω) · Input pull-up voltage : 24VDC (Power supply and internal common) · Input pulse ON time : 10ms or more · Input pulse OFF time : 10ms or more |
| Number of inputs | 8 |
| Input common | Negative common : 1 common for 8 input |
| Input frequency | 50Hz or less |
| Setting | Max. pulse, Pulse reset, Time integration reset, Simulated input |

Input Specifications (Expansion module WMB-DIO8RA)

| | |
|------------------|--|
| Input signal | Pulse/ no-voltage contact or transistor output · Input sense current : Approx. 4.2mA (when ON resistance is 0 Ω) · Input pull-up voltage : 24VDC (Power supply and internal common) · Input pulse ON time : 25ms or more · Input pulse OFF time : 25ms or more |
| Number of inputs | 8 |
| Input common | Negative common : 1 common for 8 input |
| Input frequency | 15Hz or less |
| Setting | Max. pulse, Pulse reset, Time integration reset, Simulated input |

Output Specifications (Main module WMB-DIO8R)

| | |
|-------------------|---|
| Output signal | Relay contact output (normal open) · Rated control capacity : 2A/250VAC, 2A/30 VDC · Minimum applied load : 10mA/5VDC · Insulation withstand voltage : Open between contacts 750VAC 1min · Mechanical life : 5,000,000 times or more · Electrical life : 200,000 times or more (at Rated load) |
| Number of outputs | 8 |
| Output common | Negative common : 1 common for 4 output |
| Response time | 15ms |
| Output operation | Normal, Reverse, One shot, Start-stop (Start-stop use 2ch to output) |
| Setting | Simulated input |

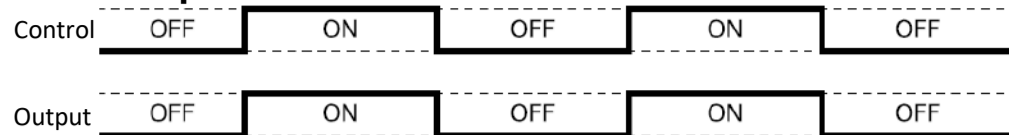
Output Specifications (Expansion module WMB-DIO8RA)

| | |
|-------------------|---|
| Output signal | Relay contact output (normal open) · Rated control capacity : 2A/250VAC, 2A/30 VDC · Minimum applied load : 10mA/5VDC · Insulation withstand voltage : Open between contacts 750VAC 1min · Mechanical life : 5,000,000 times or more · Electrical life : 200,000 times or more (at Rated load) |
| Number of outputs | 8 |
| Output common | Negative common : 1 common for 4 output |
| Response time | 15ms |
| Output operation | Normal, Reverse, One shot, Start-stop (Start-stop use 2ch to output) |
| Setting | Simulated input |

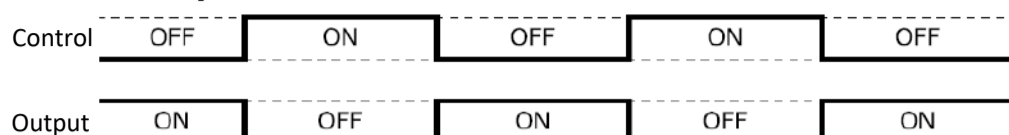
* Specification is subject to change without notice

Output operation

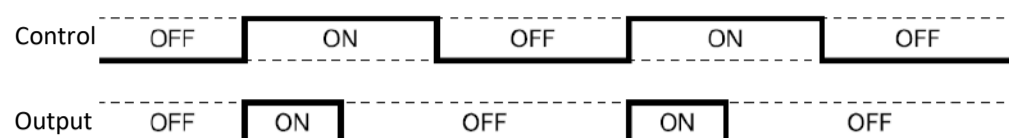
1) Normal output



2) Reverse output

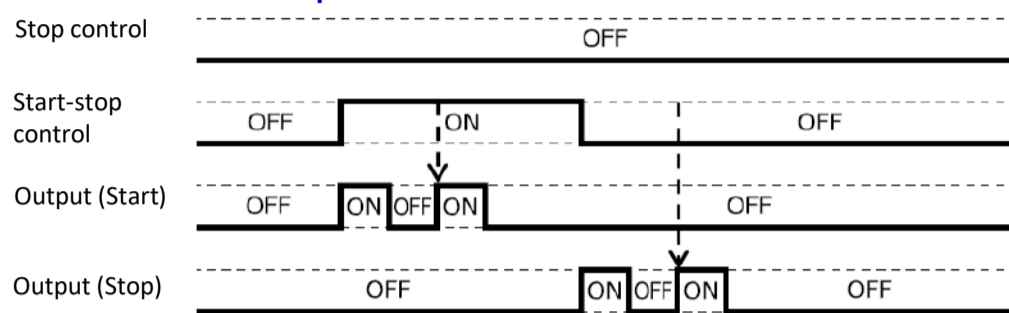


3) One shot output

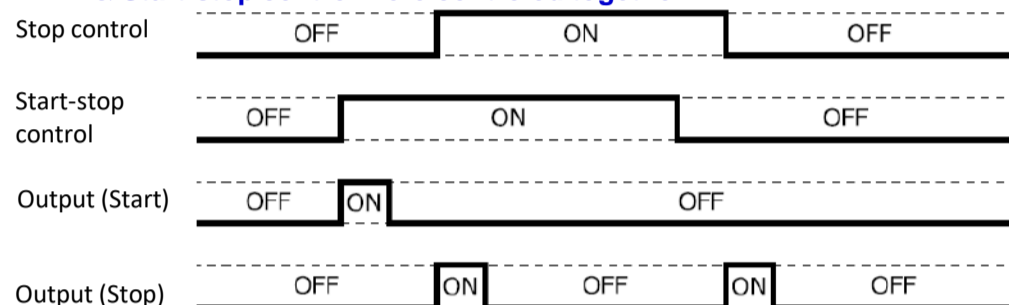


4) Start-stop output

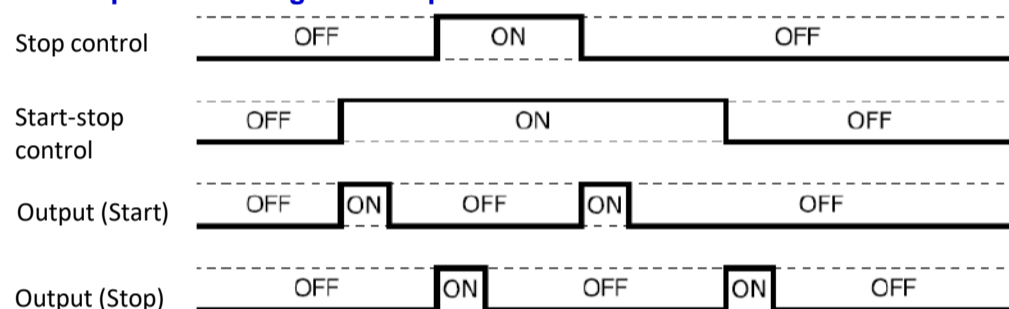
Case 1 : Output (Start) & Output (Stop) status of Start-stop control when Forced stop control is OFF.



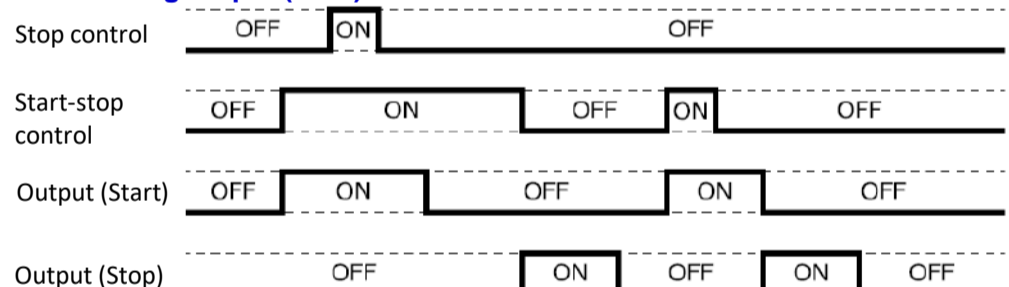
Case 2 : Output (Start) & Output (Stop) status when Forced stop control & Start-stop control were controled together .



Case 3 : Output (Start) and Output (Stop) status when forced stop control is operated during start-stop control.



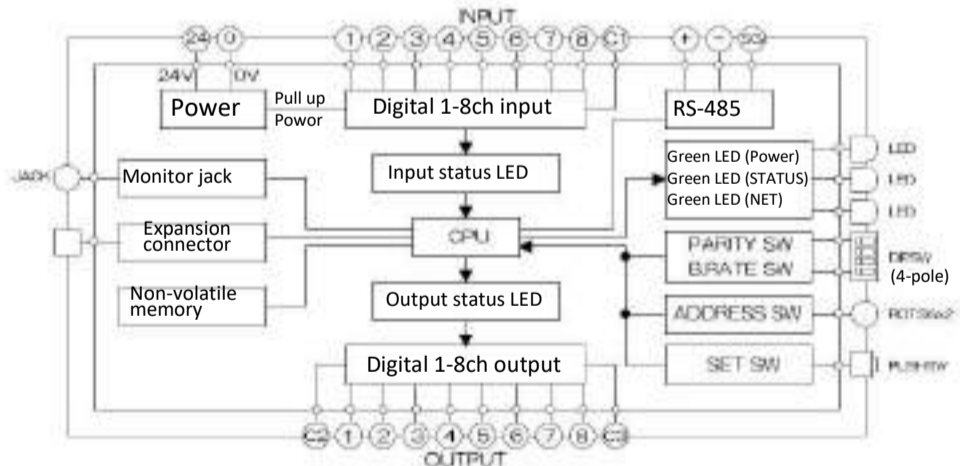
Case 4 : Output (Start) and Output (Stop) status when forced stop control is operated during output (start), and start-stop control is OFF during output (start).



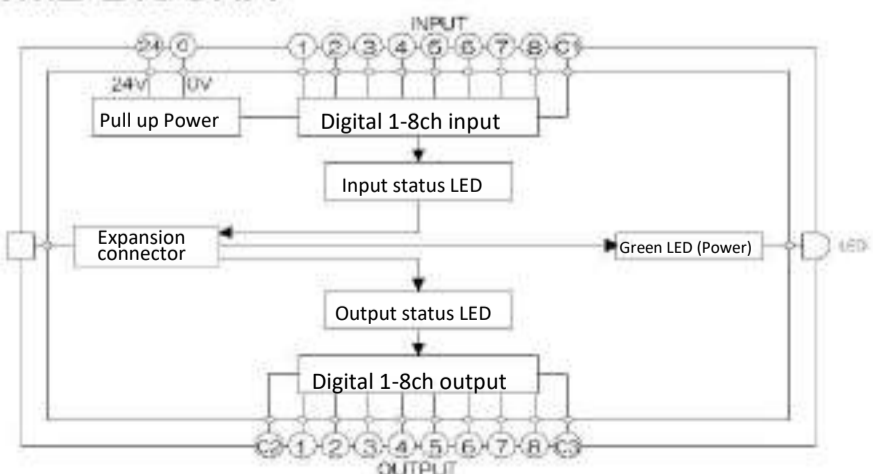
*Start-stop output : Ignores start-stop control while forced stop control is ON.

Block Diagram

WMB-DIO8R

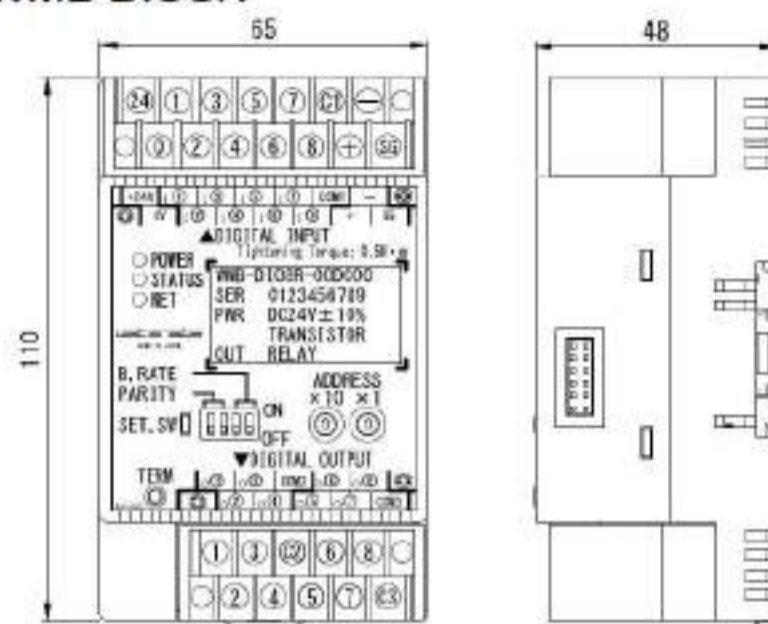


WMB-DIO8RA



Dimensions / Terminal connections

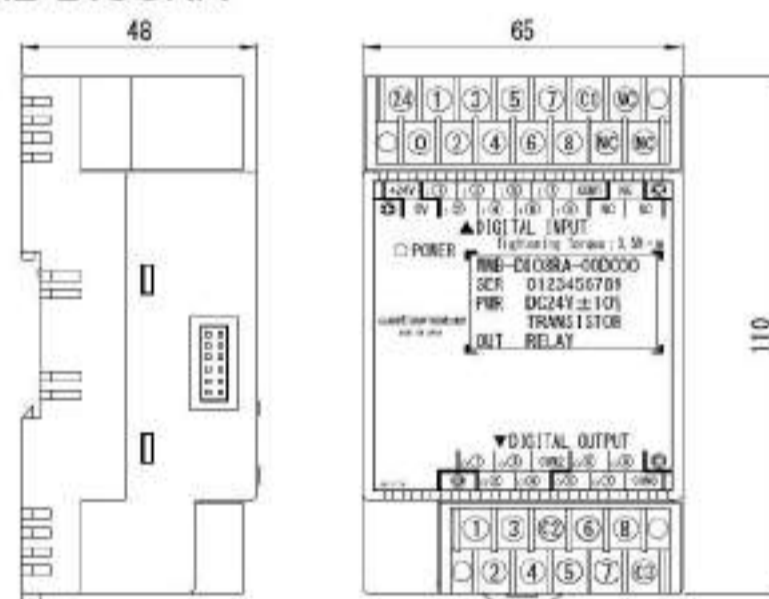
WMB-DIO8R



Unit : mm

| No | Symbol | Description | |
|----|---------------------|---|--------------------------------------|
| 24 | Power supply | +24V Power supply + terminal (24VDC ±10%) | |
| 0 | | 0V Power supply - terminal | |
| 1 | Digital input | I1 Digital input 1 | |
| 2 | | I2 Digital input 2 | |
| 3 | | I3 Digital input 3 | |
| 4 | | I4 Digital input 4 | |
| 5 | | I5 Digital input 5 | |
| 6 | | I6 Digital input 6 | |
| 7 | | I7 Digital input 7 | |
| 8 | | I8 Digital input 8 | |
| C1 | COM1 | Common 1 (For Digital input 1 to 8) | |
| + | RS485 (Modbus) | + RS-485 + terminal | |
| - | | - RS-485 - terminal | |
| SG | SG | RS-485 SG terminal | |
| 1 | Digital output | O1 Digital output 1 | |
| 2 | | O2 Digital output 2 | |
| 3 | | O3 Digital output 3 | |
| 4 | | O4 Digital output 4 | |
| C2 | | COM2 | Common 2 (For Digital output 1 to 4) |
| 5 | | O5 Digital output 5 | |
| 6 | | O6 Digital output 6 | |
| 7 | | O7 Digital output 7 | |
| 8 | O8 Digital output 8 | | |
| C3 | COM3 | Common 3 (For Digital output 5 to 8) | |

WMB-DIO8RA



Unit : mm

| No | Symbol | Description | |
|----|---------------------|---|--------------------------------------|
| 24 | Power supply | +24V Power supply + terminal (24VDC ±10%) | |
| 0 | | 0V Power supply - terminal | |
| 1 | Digital input | I1 Digital input 1 | |
| 2 | | I2 Digital input 2 | |
| 3 | | I3 Digital input 3 | |
| 4 | | I4 Digital input 4 | |
| 5 | | I5 Digital input 5 | |
| 6 | | I6 Digital input 6 | |
| 7 | | I7 Digital input 7 | |
| 8 | | I8 Digital input 8 | |
| C1 | COM1 | Common 1 (For Digital input 1 to 8) | |
| | NC | No connection | |
| | NC | | |
| | NC | | |
| 1 | Digital output | O1 Digital output 1 | |
| 2 | | O2 Digital output 2 | |
| 3 | | O3 Digital output 3 | |
| 4 | | O4 Digital output 4 | |
| C2 | | COM2 | Common 2 (For Digital output 1 to 4) |
| 5 | | O5 Digital output 5 | |
| 6 | | O6 Digital output 6 | |
| 7 | | O7 Digital output 7 | |
| 8 | O8 Digital output 8 | | |
| C3 | COM3 | Common 3 (For Digital output 5 to 8) | |

* Specification is subject to change without notice