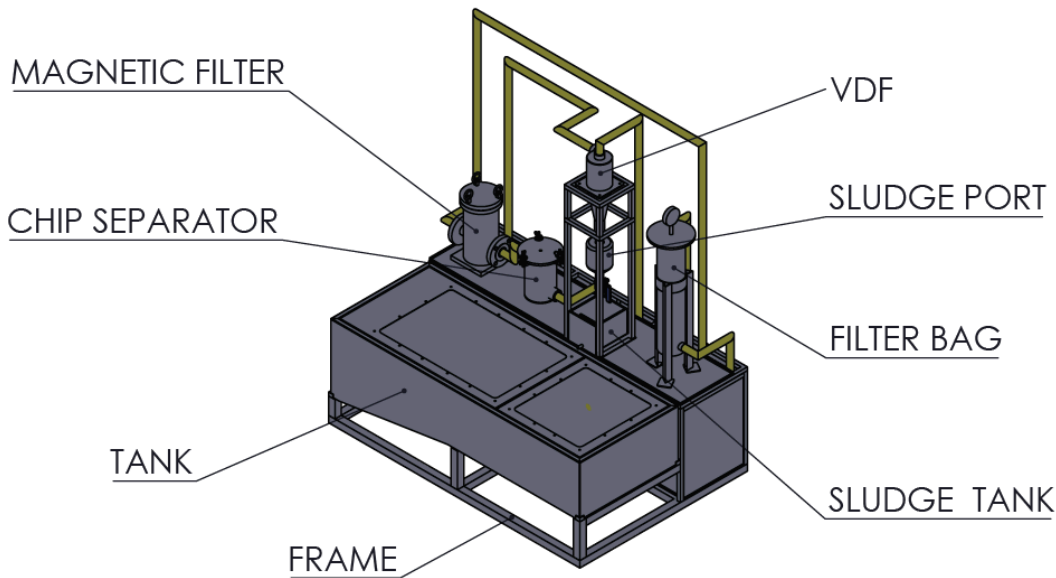


Coolant Filtration System

XTS Technologies
sdn bhd
2011 0104

Coolant Mixer
Magnetic Filter
Chip Separator
Cyclone Filter
Oil Skimmer
Bag Filter



Coolant Filtration System made by XTS Technologies Sdn Bhd

- Coolant Mixer with accurate Mixing
- Magnetic Filter who target sub micron ferrous particle with 100% filtration
- proven in many applications
- Chip Separator to split out non ferrous particle
- Cyclone filter that can clean out 95% non ferrous material
- Oil Skimmer to skim out most of the oil that cover on top of the coolant
- Bag filter to guard at the last station to make coolant 100% clean