



2023

▶ PRODUCT Catalog

Laser Cutting Machine

Laser Welding Machine

Flexible Automated Production Line

Since 2004 | Supplier of Intelligent Solutions for Laser Equipment Worldwide

BEST CHOICE FOR NEARLY 10000 USERS WORLDWIDE

Be Devoted to Laser Intelligent Manufacturing



After-sale Service Email: aftersales001@fhbslaser.com

Purchasing Service Email: marketing@fhbslaser.com

Foshan Huibaisheng Laser Technology Co., Ltd

Official Website: <http://www.fhbslasers.com> <https://www.fshbslaser.com>

Address: No.10 Hexin Road, Yanghe Town, Gaoming District, Foshan City, Guangdong, China

**PRACTICE LASER INTELLIGENT
MANUFACTURING
DEVOTE TO CHINA CREATION**

CONTENTS ▼

COMPANY PROFILE ▶ 01

ENTERPRISE STRENGTH

Self-innovation ▶ 04

Honor Certification ▶ 06

Core Advantages ▶ 07

PRODUCTS

Plate Laser Cutting Machine ▶ 11

Tube Laser Cutting Machine ▶ 23

Plate & Tube Laser Cutting Machine ▶ 32

Fiber Laser Welding Machine ▶ 35

COMPANY SERVICE ▶ 39

PARTNERS ▶ 40

COMPANY PROFILE

Company Profile ▼

100000m²

Industrial
Park

200+

Global Service
Branches

150+

After-sales
Specialist

Established in 2004, Foshan Huibaisheng Laser Technology Co., Ltd. (BAISON) is a Global provider of intelligent metal forming solutions focused on R&D, production, sales and service of laser processing application equipment. Endeavour for 18 years, BAISON currently has a production base of more than 100 thousand sqm in Foshan, Guangdong and subsidiaries in Guangzhou, Shanghai, Jinan, Chongqing and Zhengzhou, etc.

With the enterprise mission of "Practicing laser intelligent manufacturing and participating in China's creation", Baison has always been committed to the technological innovation of laser processing application equipment. It has obtained more than 240 laser technology patents, supported more than 200 precision machining equipment and production equipment, and has an annual capacity of more than 3000 units of fiber laser cutting machine. It has achieved full coverage of laser cutting power from 1500W to 40000W. Baison widely serves production and manufacturing, consumer electronics, machinery manufacturing, automobile manufacturing, sheet metal processing, rail transit, and other industries provide all-round laser cutting intelligent solutions for global metal processing users.

Self-innovation ▼



211

Total
Patents

40

Appearance
Design

152

Utility
Model

19

Patent of
Invention

65

R&D
Members

Strong Research and Development Capability

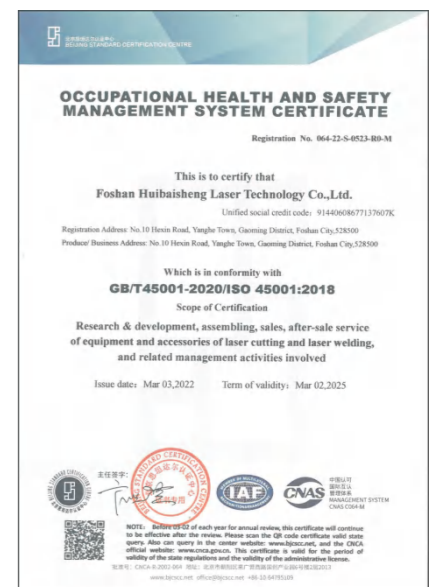
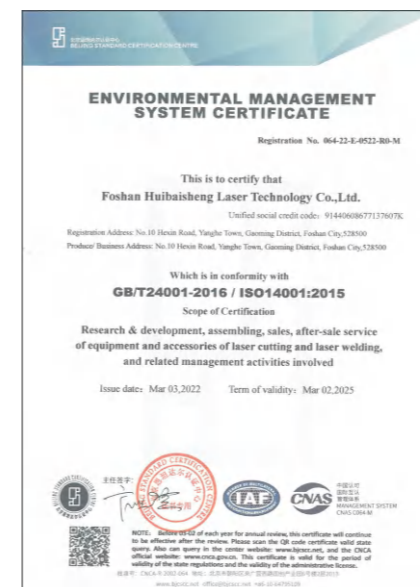
We are dedicated to technological innovation of laser processing application equipment. With a team of 65 R&D personnel and over 210 laser technology patents, we have demonstrated our commitment to advancing the technology of laser cutting. Besides, we offer a full range of laser cutting machines from 1500W to 40000W, giving customers access to high-powered lasers for their metal processing needs.

**ENTERPRISE
STRENGTH**

Global Exhibition



Honor Certification



Core Advantages ▼

Heavy Duty Industrial Machine Bed

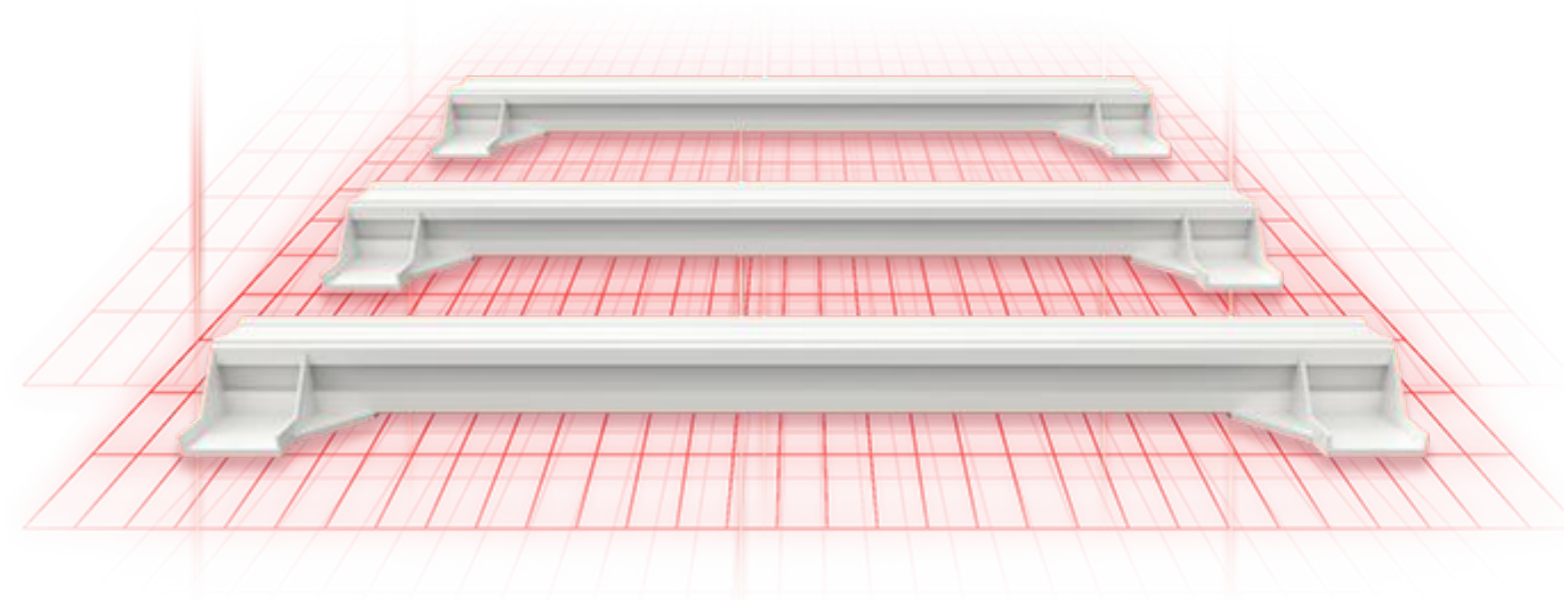
- ▶ Research and develop of machine bed by ourselves
- ▶ It adopts industrial-grade standard annealing process, and has undergone multiple precision manufacturing processes and multiple precision instrument tests to ensure the durability of the bed and ensure stable long-term operation without deformation.



Core Advantages ▼

The Seventh Generation Aviation Aluminum Cross Beam

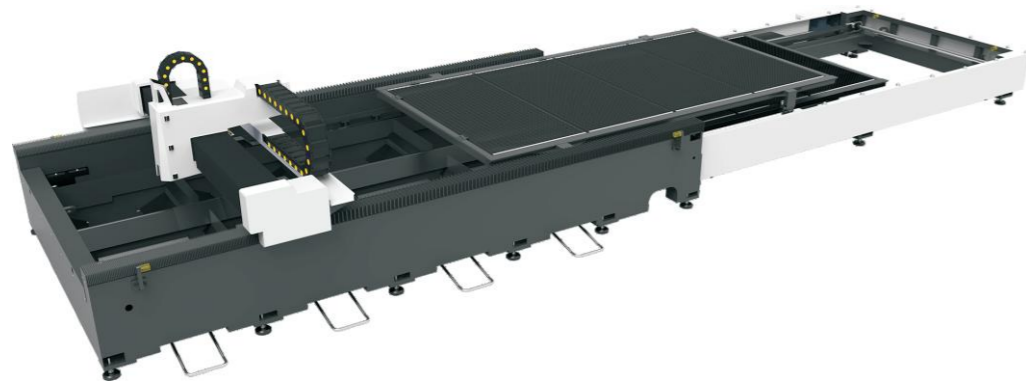
- ▶ Adopting the extruded one-piece forming process, it has high strength and can withstand heavy loads without deforming or breaking.
- ▶ It is made of high-quality aluminum material that is both lightweight and strong. This allows the laser cutting machine to move quickly and accurately while maintaining its stability during the cutting process.
- ▶ It enables the laser cutting machine to move faster, resulting in faster cutting speeds without sacrificing precision or quality.



Core Advantages ▼

Patented Climbing Exchangeable Platforms

- ▶ It utilizes a climbing exchange method that allows for quick platform switching in just 10-15 seconds.
- ▶ When the platforms are exchanged, they are at the same height, reducing the Z-axis travel distance and improving cutting precision.



Intelligent Bus Control System

- ▶ It automates the laser cutting process, reducing the need for manual intervention and increasing efficiency. The system can be programmed to perform a wide range of cutting operations, allowing for greater flexibility and adaptability to different cutting requirements.
- ▶ The system provides real-time monitoring of cutting parameters, allowing operators to quickly identify and address any issues that may arise. This improves overall efficiency and reduces downtime.



Core Advantages ▼

Ultra-intelligent and Precision Laser Cutting Head

- ▶ It uses a high-quality lens system and advanced servo motor control technology to ensure precise and accurate cuts. This results in less material waste and improved product quality.
- ▶ Modular design help to solve the problem in a short time, with low maintenance cost.



Excellent and Stable Laser Source

- ▶ The laser sources are highly efficient, with up to 40% electrical efficiency. This reduces energy costs and increases productivity, making them a cost-effective option for industrial settings.
- ▶ It is designed for long life, with an average lifetime of more than 100,000 hours. This reduces maintenance costs and downtime, resulting in increased productivity.



PLATE

Fiber Laser Cutting Machine

H-G Series

▼ ULTRA LARGE FORMAT LASER CUTTING MACHINE



▼ Technical Parameters

Laser Power	12000W-40000W
Processing Area (L×H)	13000×3000mm / 26000×3000mm / customized
Positioning Accuracy	±0.1mm/m
Repeated Positioning Accuracy	±0.1mm
Maximum Cutting Speed	80m/min
Maximum Acceleration	0.5G

Above parameters are for reference only.

T Series

▼ ULTRA HIGH POWER LASER CUTTING MACHINE



▼ Technical Parameters

Laser Power	12000W-30000W
Processing Area (L×H)	3000×1500mm / 4000×2000mm / 6300×2500mm 8000×2500mm / 12000×2500mm
Positioning Accuracy	±0.03mm/m
Repeated Positioning Accuracy	±0.03mm
Maximum Cutting Speed	200m/min
Maximum Acceleration	2.0G

Above parameters are for reference only.

GX-T Series

▼ HIGH POWER LASER CUTTING MACHINE



▼ Technical Parameters

Laser Power	3000W-20000W
Processing Area (L×H)	6000×2000mm / 6000×2500mm 8000×2500mm / 12000×2500mm
Positioning Accuracy	±0.03mm/m
Repeated Positioning Accuracy	±0.03mm
Maximum Cutting Speed	180m/min
Maximum Acceleration	1.5G

Above parameters are for reference only.

HDE Series

▼ FULL ENCLOSED LASER CUTTING MACHINE



▼ Technical Parameters

Laser Power	1500W-6000W
Processing Area (L×H)	3000×1500mm / 4000×2000mm / 6000×2000mm
Positioning Accuracy	±0.03mm/m
Repeated Positioning Accuracy	±0.03mm
Maximum Cutting Speed	150m/min
Maximum Acceleration	1.5G

Above parameters are for reference only.

S3015

▼ FULL ENCLOSED LASER CUTTING MACHINE



▼ Technical Parameters

Laser Power	1500W-6000W
Processing Area (L×H)	3000×1500mm
Positioning Accuracy	±0.03mm/m
Repeated Positioning Accuracy	±0.03mm
Maximum Cutting Speed	150m/min
Maximum Acceleration	1.5G

Above parameters are for reference only.

HE Series

▼ DUAL PLATFORMS LASER CUTTING MACHINE



▼ Technical Parameters

Laser Power	1500W-6000W
Processing Area (L×H)	3000mm×1500mm / 4000mm×2000mm 6000mm×2000mm / 6000mm×2500mm
Positioning Accuracy	±0.03mm/m
Repeated Positioning Accuracy	±0.03mm
Maximum Cutting Speed	130m/min
Maximum Acceleration	1.5G

Above parameters are for reference only.

E Series

▼ SINGLE PLATFORM LASER CUTTING MACHINE



▼ Technical Parameters

Laser Power	1500W-12000W
Processing Area (L×H)	3000mm×1500mm / 4000mm×2000mm / 6000mm×2500mm 8000mm×2500mm / 12000mm×2500mm
Positioning Accuracy	±0.03mm/m
Repeated Positioning Accuracy	±0.03mm
Maximum Cutting Speed	150m/min
Maximum Acceleration	1.5G

Above parameters are for reference only.

KE Series

▼ ECONOMICAL LASER CUTTING MACHINE



▼ Technical Parameters

Laser Power	1500W-6000W
Processing Area (L×H)	3000×1500mm / 4000×1500mm / 4000×2000mm 6000×1500mm / 6000×2000mm
Positioning Accuracy	±0.05mm/m
Repeated Positioning Accuracy	±0.03mm
Maximum Cutting Speed	120m/min
Maximum Acceleration	1.2G

Above parameters are for reference only.

F3015

▼ ECONOMICAL LASER CUTTING MACHINE



▼ Technical Parameters

Laser Power	1500W-3000W
Processing Area (L×H)	3000×1500mm
Positioning Accuracy	±0.05mm/m
Repeated Positioning Accuracy	±0.03mm
Maximum Cutting Speed	120m/min
Maximum Acceleration	1.2G

Above parameters are for reference only.

JDE Series

▼ 3 IN 1 COIL FED LASER CUTTING MACHINE



▼ Technical Parameters

Laser Power	1500W-6000W
Processing Area (L×H)	3000×1500mm / 4000×1500mm / 6300×2000mm
Positioning Accuracy	±0.03mm/m
Repeated Positioning Accuracy	±0.03mm
Maximum Cutting Speed	130m/min
Maximum Acceleration	1.5G

Above parameters are for reference only.

Plate Cutting Samples ▼



Application ▼



Agricultural Machinery



Petrochemical



Electricity Facilities



Electric Cabinet



Hotel Appliance



Advertising Industry

TUBE

Fiber Laser Cutting Machine

V50XL-U

▼ FOUR CHUCKS ZERO TAILING HEAVY DUTY TUBE LASER CUTTING MACHINE



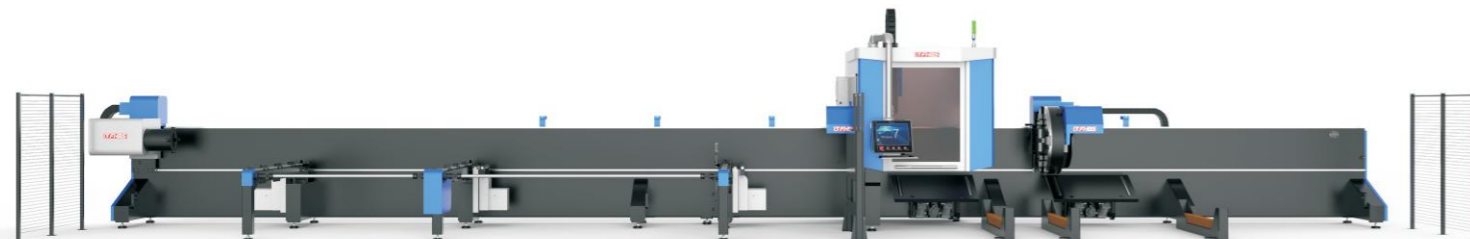
▼ Technical Parameters

Laser Power	3000W-12000W
Pipe Processing Range	φ 50-500mm □50-350mm
Tail Length	0
Pipe Processing Length	12000mm
Wall Thickness	1-16mm
Max.Chuck Speed	60r/min
Max Single Tube Loading Weight	1500KG

Above parameters are for reference only.

V36XL-E

▼ THREE CHUCKS ZERO TAILING HEAVY DUTY TUBE LASER CUTTING MACHINE



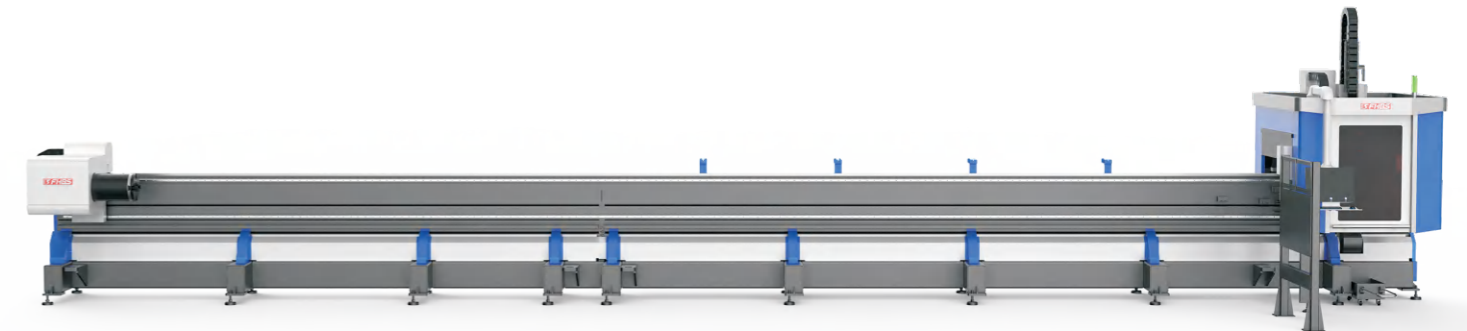
▼ Technical Parameters

Laser Power	3000W-12000W
Pipe Processing Range	φ 20-360mm □20-345mm
Tail Length	0
Pipe Processing Length	9000mm
Wall Thickness	1-16mm
Max.Chuck Speed	60r/min
Max Single Tube Loading Weight	1000KG

Above parameters are for reference only.

V Series

▼ HEAVY DUTY TUBE LASER CUTTING MACHINE



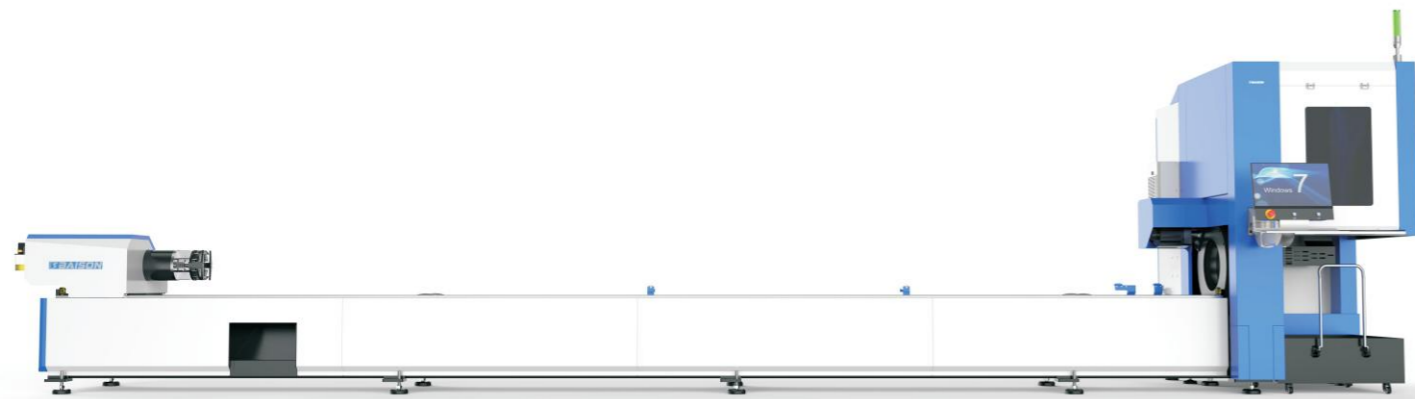
▼ Technical Parameters

Laser Power	1500W-6000W		
Pipe Processing Range	φ 10-240mm □10-220mm	φ 20-350mm □20-250mm	φ 50-380mm □50-270mm
Tail Length	160mm / 350mm		
Pipe Processing Length	6500mm / 10000mm / 12000mm		
Wall Thickness	1-12mm		
Max.Chuck Speed	180r/min 80r/min		
Max Single Tube Loading Weight	400KG / 600KG / 1000KG		

Above parameters are for reference only.

G Series

▼ ALL ROUNDER TUBE LASER CUTTING MACHINE



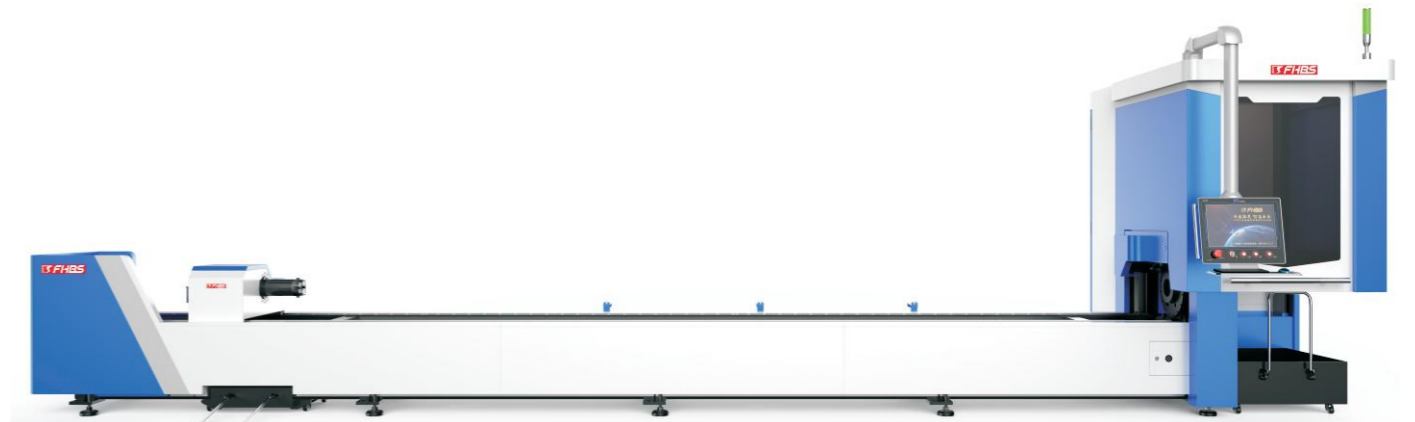
▼ Technical Parameters

Laser Power	1500W-6000W	
Pipe Processing Range	φ10-220mm □10-150mm	φ10-240mm □10-240mm
Tail Length	130mm / 110mm	
Pipe Processing Length	6500mm	
Wall Thickness	0.8-10mm	
Max.Chuck Speed	180r/min 140r/min 120r/min	
Max Single Tube Loading Weight	170KG / 200KG	

Above parameters are for reference only.

K Series

▼ SMALL TUBE LASER CUTTING MACHINE



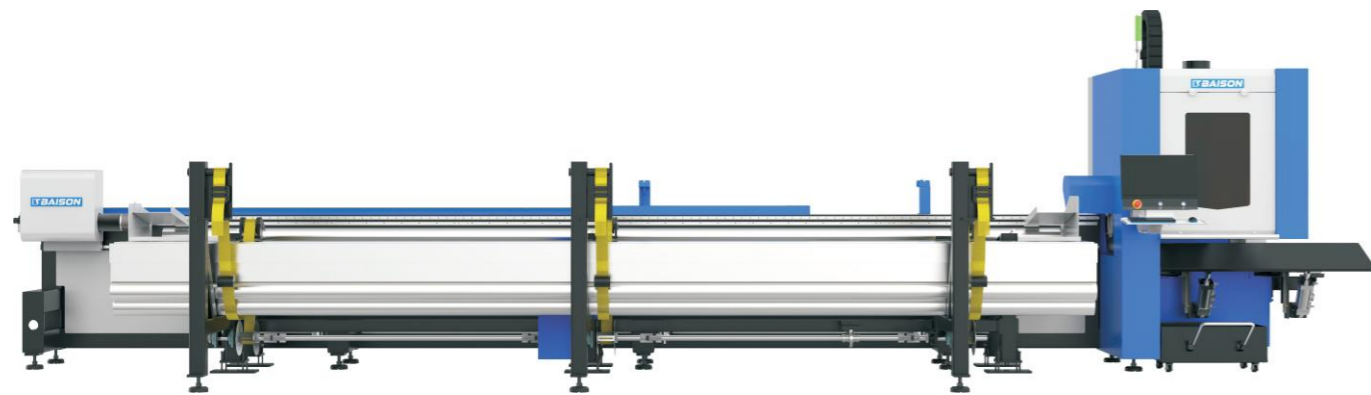
▼ Technical Parameters

Laser Power	1500W-3000W	
Pipe Processing Range	φ10-120mm □10-80mm	
Tail Length	130mm	
Pipe Processing Length	6500mm	
Wall Thickness	0.8-5mm	
Max.Chuck Speed	160r/min 140r/min	
Max Single Tube Loading Weight	80KG	

Above parameters are for reference only.

TS60-II

▼ SMALL TUBES LASER CUTTING MACHINE



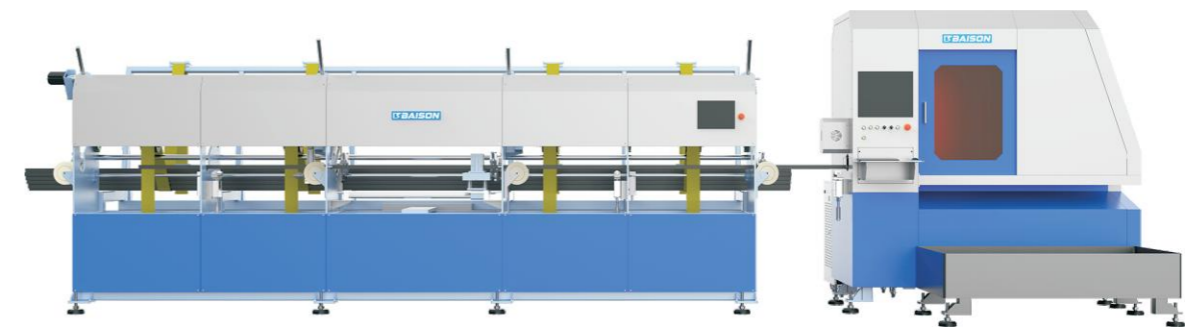
▼ Technical Parameters

Laser Power	1500W-3000W
Pipe Processing Range	φ10-120mm □10-120mm
Tail Length	60mm
Pipe Processing Length	6500mm
Max.Chuck Speed	180r/min
Max Single Tube Loading Weight	80KG

Above parameters are for reference only.

G90

▼ SMALL TUBES LASER CUTTING MACHINE



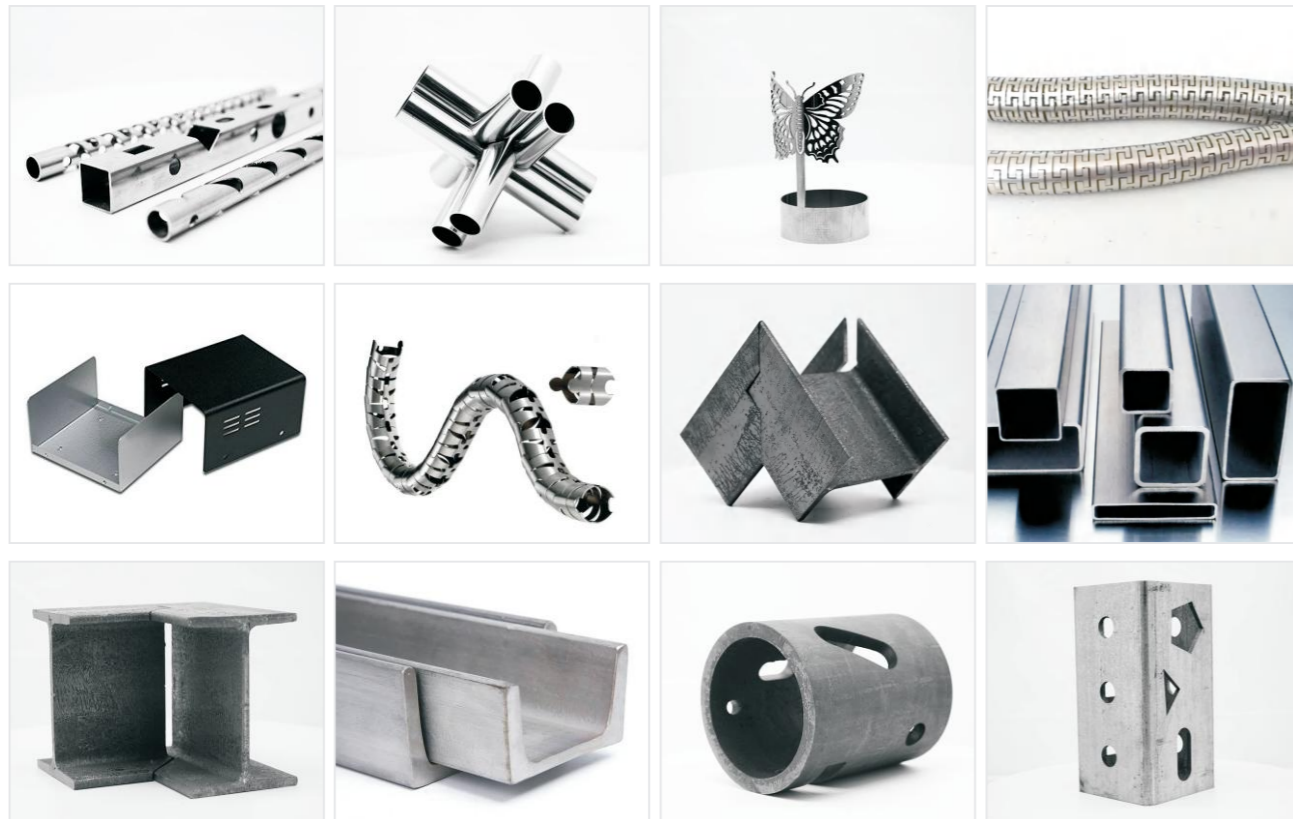
▼ Technical Parameters

▼ Technical Parameters of Automatic Loading Rack

Laser Power	1500W-3000W	Feeding Method	Pull Belt Lifting Type
Pipe Processing Range	φ 8-85 mm □ 13-60mm	Applicable Tube Type	Round Tube/Square Tube/ Rectangular Tube
Tail Length	≥60mm	Pipe Feeding Length	4000-7000mm
Maximum Cutting Speed	90m/min		
Repeated Positioning Accuracy	±0.03mm		
Maximum Acceleration	1.8G		
Pulling Method	Servo + Pneumatic		

Above parameters are for reference only.

Tube Cutting Samples ▼



Application ▼



Elevator Industry



Heavy Steel Structure



Heavy Industry Machinery



Auto Parts



Exhaust Pipe



Medical Equipment

PLATE & TUBE
Fiber Laser Cutting Machine

BE Series

▼ SINGLE PLATFORM PLATE & TUBE LASER CUTTING MACHINE



▼ Technical Parameters

Laser Power	1500W-6000W
Processing Size	3000×1500mm / 4000×2000mm / 6000×2000mm
Max Moving Speed	100m/min
Positioning Accuracy	±0.03mm/m
Repositioning Accuracy	±0.03mm
Max. Acc. Speed	1.0G
Pipe Processing Length	6500mm
Pipe Processing Range	φ 20-350mm □20-245mm

Above parameters are for reference only.

HBDE Series

▼ FULL ENCLOSED PLATE & TUBE LASER CUTTING MACHINE



▼ Technical Parameters

Laser Power	1500W-6000W
Processing Size	3000×1500mm / 4000×2000mm
Max Moving Speed	100m/min
Positioning Accuracy	±0.03mm/m
Repositioning Accuracy	±0.03mm
Max. Acc. Speed	1.0G
Pipe Processing Length	6500mm
Pipe Processing Range	φ 20-350mm □20-245mm

Above parameters are for reference only.

FIBER Laser Welding Machine

FSC Series

▼ HANDHELD LASER WELDING MACHINE



▼ Technical Parameters

Laser Power	1000W	1500W	2000W
Laser Working Medium	Rare Earth Doped Fiber	Rare Earth Doped Fiber	Rare Earth Doped Fiber
Laser Wavelength	1070±10nm	1070±10nm	1070±10nm
Number Of Optical Fiber Output	1 Channel	1 Channel	1 Channel
Welding Depth	0.2-2mm	0.2-3mm	0.2-4mm
Overall Power	4kW	5.5kW	6.5kW
Power Input	220V	380V	380V
Cooling Mode	Water Cooling	Water Cooling	Water Cooling
Optical Fiber Interface Model	QBH	QBH	QBH
Fiber Length	10m	10m	10m
Fiber Diameter	50um/100um	50um/100um	50um/100um

Above parameters are for reference only.

PW Series

▼ FIBER LASER WELDING MACHINE



▼ Technical Parameters

Laser Power	1500W	3000W	6000W
Laser Working Medium	Rare Earth Doped Fiber	Rare Earth Doped Fiber	Rare Earth Doped Fiber
Laser Wavelength	1070±10nm	1070±10nm	1070±10nm
Pulse Width	Continuous	Continuous	Continuous
Number Of Optical Fiber Output	1 Channel	1 Channel	1 Channel
Welding Depth	Max.2mm / Stainless Steel Max.2mm / Aluminum	Max.5mm / Stainless Steel Max.5mm / Aluminum	Max.8mm / Stainless Steel Max.8mm / Aluminum
Overall Power	< 5kW	< 10kW	< 18kW
Collimation	Red Light Indication(CCD)	Red Light Indication(CCD)	Red Light Indication(CCD)
Power Input	AC380V±10% / 3P+N+PE	AC380V±10% / 3P+N+PE	AC380V±10% / 3P+N+PE
Working Table Size (mm)	500×500×500 Customized	500×500×500 Customized	500×500×500 Customized
Cooling Mode	Water Cooling	Water Cooling	Water Cooling
Optical Fiber Interface Model	QBH	QBH	QBH
Fiber Length	10m	10m	10m
Fiber Diameter	50um/100um	50um/100um	50um/100um

Above parameters are for reference only.

RW Series

▼ PROFESSIONAL WELDING ROBOT

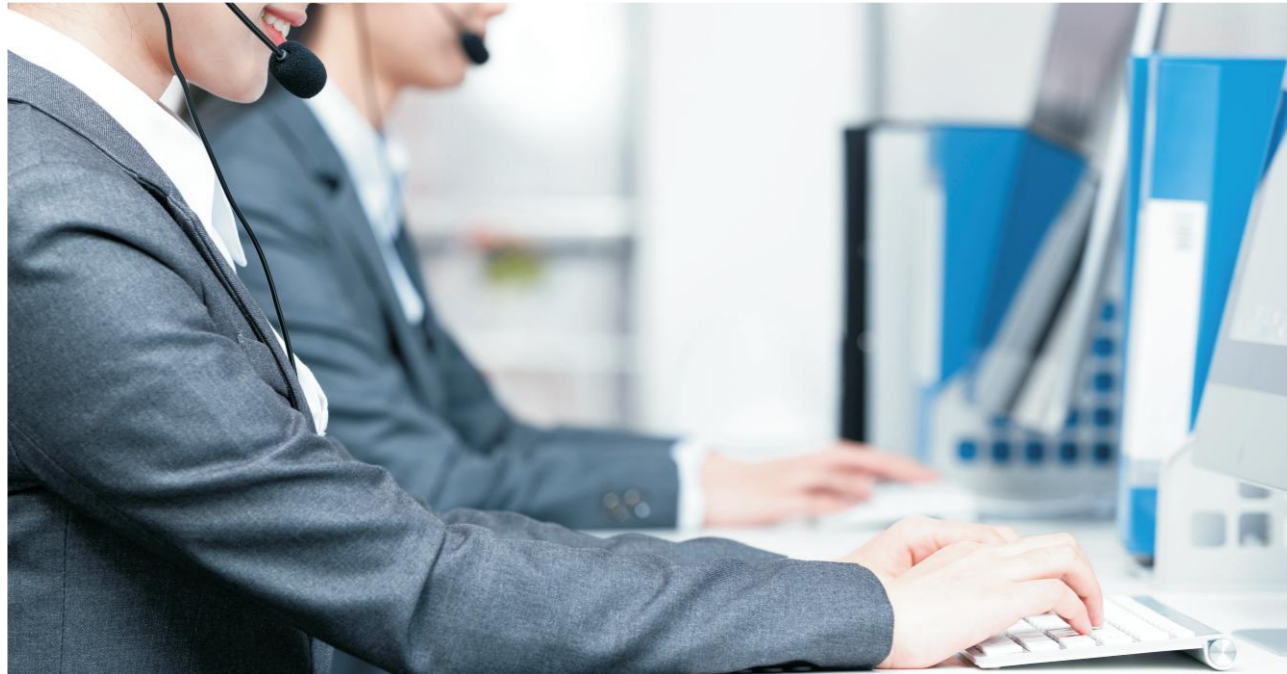


▼ Technical Parameters

Arm Type	Vertical Multi Joint
Number of Axes	6 Axis
Max. Handling Capacity	20kg
Functions	Cutting / Welding
Position Repeatability	±0.5mm
Max. Synthetic Speed	11500mm/s
Weight	230kg
Mounting	Floor / Top Mounting
Environment	Ambient Temperature: 0°-45°
	Relative Temperature: 35%-85% No Condensation
PROTECTION	Wrist: IP67, Base Axis: Ip65
Power Capacity	5.6KVA

Above parameters are for reference only.

Company Service ▼



◆ PRE SALE SERVICE

1. Provide technical guidance, equipment solutions and other information services according to your needs.
2. Welcome you to visit our company and equipment exhibition hall. And our engineers will offer the best explanation and demonstration. If you can't come to us, we will do a live broadcast to show you our factory and machine.
3. Provide free proofing service.

◆ SELLING SERVICE

1. Technicians would offer field installation, debugging and training when they come to the customer's factory.
2. Ensure the equipment is delivered on time.
3. Train customer operators in strict accordance with the equipment operation process to ensure that they are proficient in the operation, maintenance and safe use of the equipment.

◆ AFTER-SALE SERVICE

1. One-year warranty for machine bed and free software upgrade. Two-year warranty for laser generators.
2. Except man-made factor, Baisheng Laser provides the repairing service during the warranty period.
3. We will establish communication group including technicians, after-sales managers, salesmen and operators of customers.

Cooperative Partner ▼

Partners



Cooperated Customers

