

Modular reducing valve



Technical specification

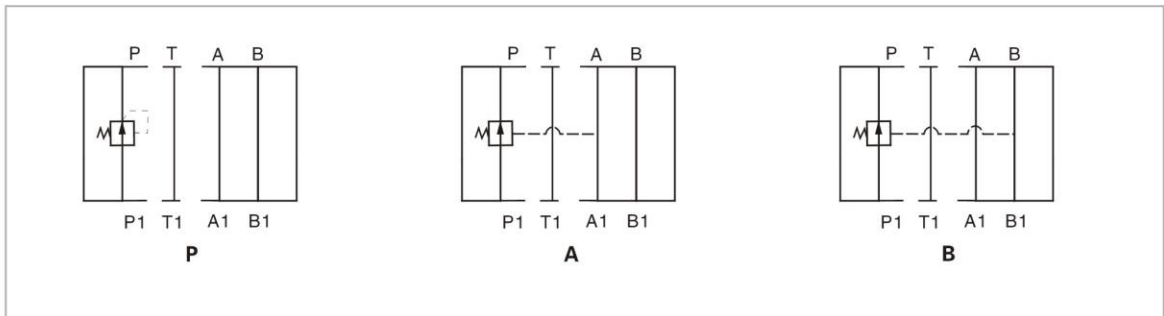
Specification	02	03
Max. working pressure (MPa)	21	
Max. Flow (L/min)	35	70
Working fluid	Mineral oil; phosphate-ester	
Fluid temp. (°C)	-20~70	
Viscosity (mm ² /s)	12~380	
Working press (MPa)	7	14 21
Weight (kg)	1.29	3.39
Cleanliness	The maximum allowable cleanliness of the oil should be according to 9th degree of Standard NAS1638. It is suggested that the minimum filter rating should be $\beta_{10} \geq 75$.	

Model description

DYJ - * * - * - * / * 70 *

<p>Modular reducing valve</p> <p>Specification 02 NS 6 03 NS 10</p> <p>P P Pipeline relief A A Pipeline relief B B Pipeline relief</p> <p>Working pressure 7 to 7MPa 14 to 14MPa 21 to 21MPa</p>	<p>Remarks</p> <p>Serial number</p> <p>Seal material Omit NBR Seals V FPM Seals</p> <p>8 Handle</p>
--	---

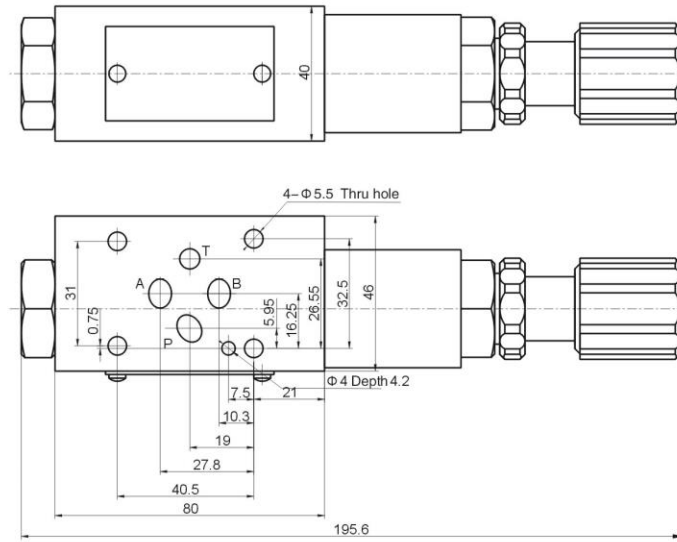
Code symbol



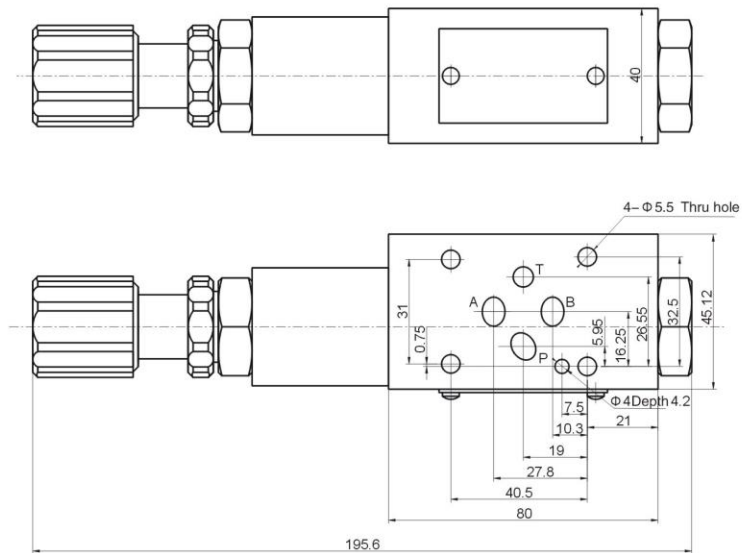
Modular reducing valve

02 External dimensions

DYJ-02-A , P ...



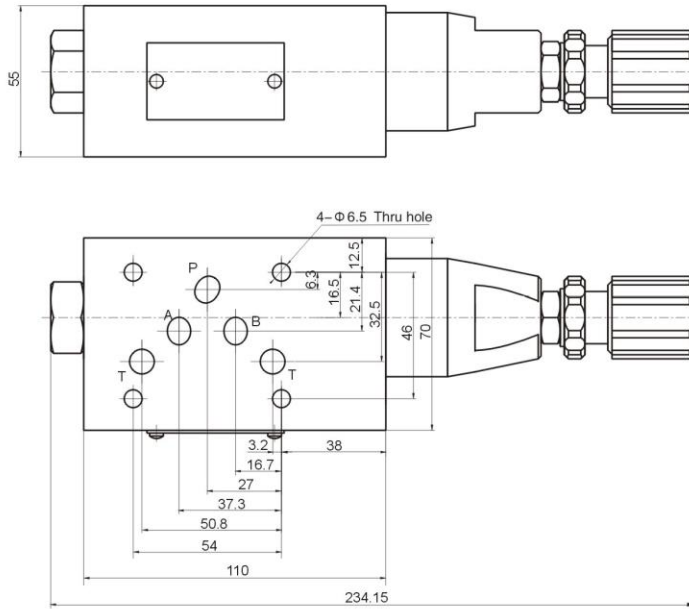
DYJ-02-B ...



Modular reducing valve

03 External dimensions

DY5-03-A , P ...



DY3-03-B

