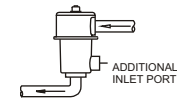
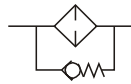
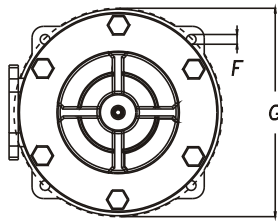
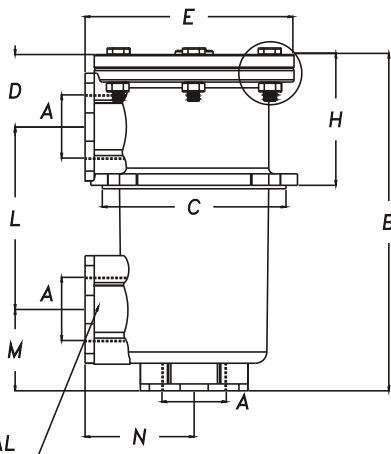


# FILTER - TANK / LINE MOUNTED - CFR

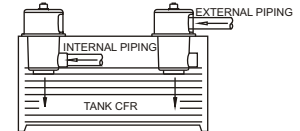
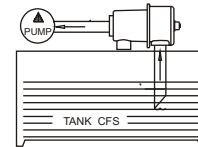
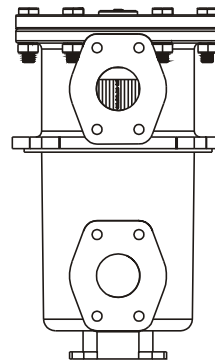
- DIRECT TANK OR LINE MOUNT
- 5 SIZES - FLOWS TO 700 LPM
- BY PASS STANDARD 1 BAR RETURN / 0.35 BAR SUCTION
- ALUMINIUM DIECAST CONSTRUCTION
- WORKING PRESSURE TO 20 BAR / TEST 30 BAR / BURST 40 BAR
- CAN BE USED FOR RETURN / SUCTION LINES
- MAX TEMP. TO 80° C
- SUITABLE FOR MINERAL / PETROLEUM BASED OILS



LINE MOUNTING



ADDITIONAL INLET PORT



MODEL	PORT 'A' BSPP	TANK B	TANK CUT OUT C	D	E	F	G	H	L	M	N	WT KGS
CFR* - 025	1/2"	117	83	29	98	5.6	93	46	56	33	52	0.8
CFR* - 040	3/4"	176	121	43	117	6.5	138	77	110	26	58	2.0
CFR* - 100	1"	257	134	64	143	6.5	154	113	140	52	71	3.2
CFR* - 250	1 - 1/2"	300	161	65	182	8.5	180	117	159	77	88	5.5
CFR* - 630	2 - 1/2" SAE-FL	353	232	78	244	10.5	275	146	178	95	124	10.0

# FILTER - TANK / LINE MOUNTED - CFR



MODEL CODE : ASSEMBLY

CFR	2	- 0 2 5	- 04*	- 0 1 0	- *	- *
SERIES	SIZE	PORT CONNECTION INCH		FILTRATION μ MICRONS	FEATURE BY Pass ( OMIT IF STD)	FEATURE SPECIAL #
R - RETURN	0 2 5	04 B	- 1/2" BSPP	P10 - 10 μ NOM P25 - 25 μ NOM A10 - 10 μ ABS A25 - 25 μ ABS M 149 - 149 μ MESH M 74 - 74 μ MESH	R3 - 15PSI (STD) R4 - 25 PSI S1 - 3PSI (STD) S2 - 5PSI	1 - SAE FLANGE WITH M12x1.75 (STD) 2 - SAE FLANGE WITH 1/2"UNC-13 (OPTIONAL)  OMIT IF STD.
		04 N	- 1/2" NPT			
		08 S	- 3/4" UNF - 16			
S - SUCTION	0 4 0	06 B	- 3/4" BSPP			
		06 N	- 3/4" NPT			
		12 S	- 1-1/16" UNF - 12			
2 - ADDL INLET PORT (OPTIONAL #)	1 0 0	08 SF	- 1" SAE FLANGE			
		08 B	- 1" BSPP			
		08 N	- 1" NPT			
2 5 0	12 SF	- 1-1/2" SAE FLANGE	24 S	- 1- 7/8" UNF - 12		
		12 B			- 1-1/2" BSPP	
		12 N			- 1-1/2" NPT	
6 3 0	20 SF	- 2-1/2" SAE FLANGE				

Consult Factory For Tapped Holes For Cover Bolts

INDICATOR : OPTIONAL ( TO BE ORDERED SEPERATELY )

Element : P10 / P25 Was 010 / 025

GR - VISUAL RETURN

ER - ELEC. RETURN

GS - VISUAL SUCTION

ES - ELEC. SUCTION

MODEL CODE : ELEMENT

CE	- 0 2 5	- 0 1 0	- Feature
SERIES	SIZE	FILTRATION μ MICRONS	- # Omit If Standard
CE	0 2 5	P10 - 10 μ NOM	S3 - 10 BAR Collapse Strength
	0 4 0	P25 - 25 μ NOM	
	1 0 0	A10 - 10 μ ABS	
		A25 - 25 μ ABS	
	2 5 0	M149 - 149 μ MESH	
	6 3 0	M74 - 74 μ MESH	

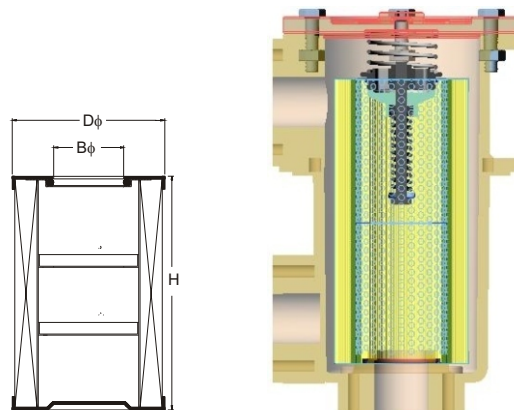
MODEL CODE : SEALKIT

CFR	- 0 2 5	-SK
SERIES	SIZE	SEALKIT
CFR	0 2 5	SK
	0 4 0	SK
	1 0 0	SK
	2 5 0	SK
	6 3 0	SK

\* Optional Filtration Mesh Elements Available  
M43 , M63 , M100 ,M125, M300 & M575 microns

Element Details Ht

SIZE	D φ	B φ	H	Area SqCm		
				P-10/25	A-10/25	M - ***
CE - 025	52	25.0	72	710	500	325
CE - 040	70	34.5	86	1750	1250	600
CE - 100	70	34.5	130	2650	1880	900
CE - 250	100	51.0	210	7900	5500	2200
CE - 630	135	75.0	250	14500	10100	3500



M \*\*\* All Mesh Elements

CONSULT FACTORY FOR ANY OTHER REQUIREMENT

DIMENSIONS IN MM FOR REFERENCE ONLY