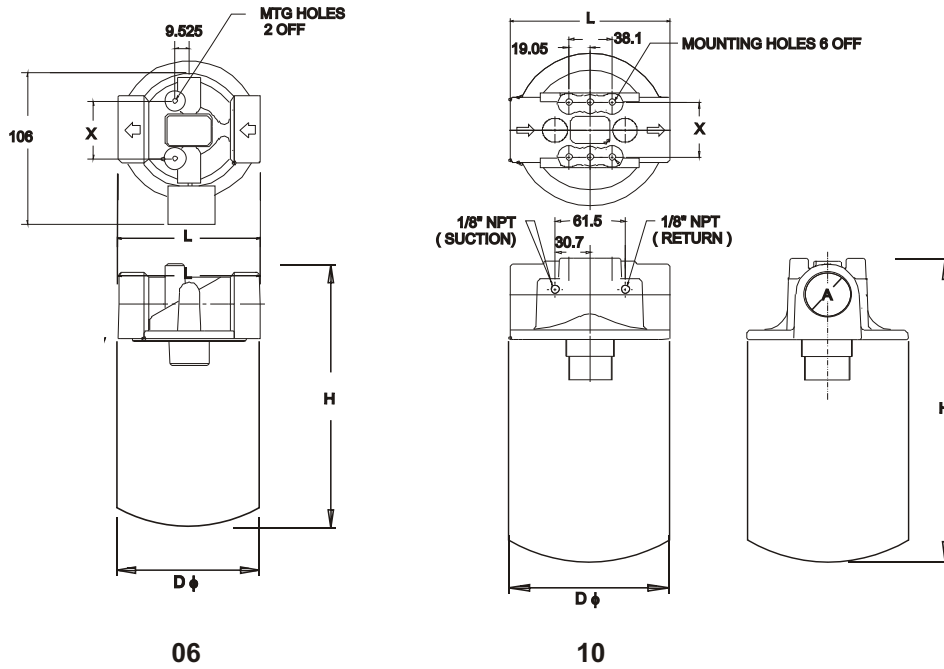


# FILTER - INLINE SPIN ON - IFR3



- DISPOSABLE SPIN ON ELEMENT
- DIE CAST ALUMINIUM HEAD
- 5 SIZES FLOWS TO 200 LPM
- MAX. PRESSURE 10 BAR / TEST 15 BAR / BURST 20 BAR
- BY PASS STANDARD 1 BAR ( SUCTION 0.2 BAR )
- MAX. TEMP. 80 ° C.
- FOR USE WITH MINERAL / PETROLEUM BASED OILS



MODEL CODE	L	D	H	X	MOUNTING HOLES		GAUGE PORT		WT
					NOS	SIZE	NOS	NPT	KGS
IF *3.06 *-10	95	93	188	38.1	2 OFF		2 OFF	1 / 8"	0.8
IF *3.06 *-20	95	93	188	38.1	2 OFF	M 6 X 1.0	2 OFF	1 / 8"	1.0
IF *3.06 *-30	95	93	188	38.1	2 OFF	1/4"-20UNC (Std)	2 OFF	1 / 8"	1.2
IF *3.10*-50	140	129	250	47.6	6 OFF	M 8 X 1.25	2 OFF	1 / 8"	2.3
IF *3.10*-65	140	129	250	47.6	6 OFF	5/16"-18UNC (Std)	2 OFF	1 / 8"	2.5

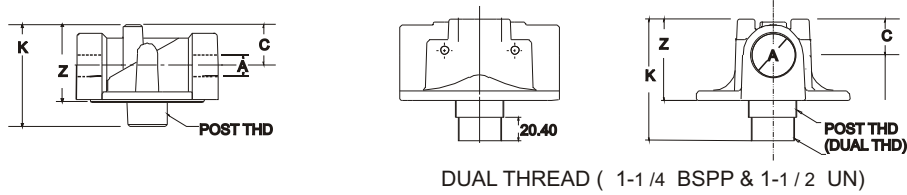
\* Refer Model Code Assembly

DIMENSIONS IN MM FOR REFERENCE ONLY

# FILTER - INLINE SPIN ON - IFR3



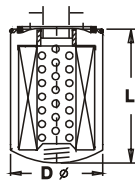
## HEAD CASTING



MODEL	PORT THD. 'A'	POST THD	C	K	Z	WT KGS
IF* 3 . 04 / 8S						
IF* 3 . 06 / 12S	Refer Model Code Assembly	1" - 12 UN ( STD )	28	68	50	0.5
IF* 3 . 08 / 16S		3/4" - BSPP				
IF* 3 . 10 / 20S		1-1/4" BSPP & 1-1/2"-16 UN	32	106	70	1.1

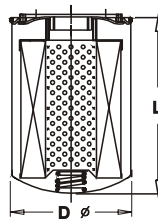
## ELEMENT

B - 3/4" BSP  
OR  
U - 1" UNF X 12 T.P.I.



S/E - 20 - \*\* - \*

1 - 1/4" BSPP



IFE - 50 - \*\* - B

CARTRIDGE	D	L	FILTRATION AREA CM <sup>2</sup>			WT KGS
			P10/ P25	A10/ A25	M125	
S/E - 10 - ** - *	93	100	1500	1200	650	0.4
S/E - 20 - ** - *	93	146	2300	1840	900	0.6
S/E - 30 - ** - *	93	212	4200	3300	1250	0.8
IFE - 50 - ** - *	129	180	5600	3900	2000	1.2
IFE - 65 - ** - *	129	227	7850	4800	2400	1.4

DIMENSIONS IN MM FOR REFERENCE ONLY

# FILTER - INLINE SPIN ON - IFR3



## MODEL CODE : ASSEMBLY

IF R3	- 06*	- 50	- 10	B	- *	- *
SERIES	PORT CONNECTION	SIZE ELEMENT	FILTRATION μ MICRONS	POST THREAD	BYPASS SPECIAL #	MTG. HOLES -*
B - NO BYPASS	04 B - 1/2" BSPP	10 - 35 LPM	P10 - 10 μ NOM	B - 3/4 " BSPP	R3 - 15 PSI Std	M - M6 x 1.0
	04 N - 1/2" NPT					
	08 S - 3/4" UNF - 16					
R - RETURN	06 B - 3/4" BSPP	20 - 70 LPM	A10 - 10 μ ABS	U - 1"-12 UNF	S1 - 3 PSI Std	U - 1/4"-20 UNC(std)
	06 N - 3/4" NPT					
	12 S - 1-1/16" UNF - 12					
S - SUCTION	08 B - 1" BSPP	30 - 100 LPM	A25 - 25 μ ABS	B - 1- 1/4 " BSPP	S2 - 5 PSI	OMIT IF STD
	08 N - 1" NPT					
	16 S - 1-5/16" UNF - 12					
	10 B - 1-1/4" BSPP	50 - 150 LPM	M125 - 125 μ MESH			M - M8x1.25
	10 N - 1-1/4" NPT	65 - 200 LPM				U - 5/16"-18UNC(std)
	20 S - 1- 5/8" UNF - 12					

INDICATOR : OPTIONAL ( TO BE ORDERED SEPERATELY )

Position

GR - VISUAL RETURN      ER - ELEC. RETURN  
GS - VISUAL SUCTION      ES - ELEC. SUCTION

Indicator ports:      R - 2 off x 1/8" NPT inlet  
Standard              S - 2 off x 1/8" NPT outlet  
                                 B - 4 off x 1/8" NPT inlet & outlet

[ 1 - 2 ]  
[ 3 - 4 ]  
[ 1 - 2 - 3 - 4 ]

Element : P10 / P25 Was 010 / 025

## MODEL CODE : HEAD CASTING

IF R3	- 10	B	- B	- *	- *
SERIES	PORT SIZE	PORT CONNECTION	POST THREAD	BYPASS SPECIAL #	MTG. HOLES -*
B - NO BYPASS	04 - 1 / 2 IN	B - BSP	B - 3/4 " BSPP	R3 - 15 PSI Std	M - M6 x 1.0
	08S - 3/4"-16UNF				
R - RETURN	06 - 3/4 IN	N - NPT	U - 1 "-12 UNF	S1 - 3 PSI Std	U - 1/4"-20 UNC(std)
	12S - 1-1/16"-12UNF				
	08 - 1 IN				
S - SUCTION	16S - 1-5/16"-12UNF	S - UNF	DUAL THREAD	S2 - 5 PSI	OMIT IF STD
	10 - 1- 1/4 IN				
	20S - 1-5/8"-12UNF				M - M8x1.25
					U - 5/16"-18UNC(std)

## MODEL CODE : ELEMENT

***	- 50	- 10	B
SERIES	ELEMENT SIZE	FILTRATION μ MICRONS	POST THREAD
S/E	10 - 10GPM	P10 - 10 μ NOM	B - 3/4 " BSPP
	20 - 20GPM	P25 - 25 μ NOM	U - 1"-12 UNF
	30 - 30GPM	A10 - 10 μ ABS	
IFE	50 - 50GPM	A25 - 25 μ ABS	B - 1- 1/4 " BSPP
	65 - 65GPM	M125 - 125 μ MESH	



# OPTIONAL / SPECIAL FEATURE - OMIT IF NOT REQUIRED  
CONSULT FACTORY FOR OPTIONAL / SPECIAL FEATURE