



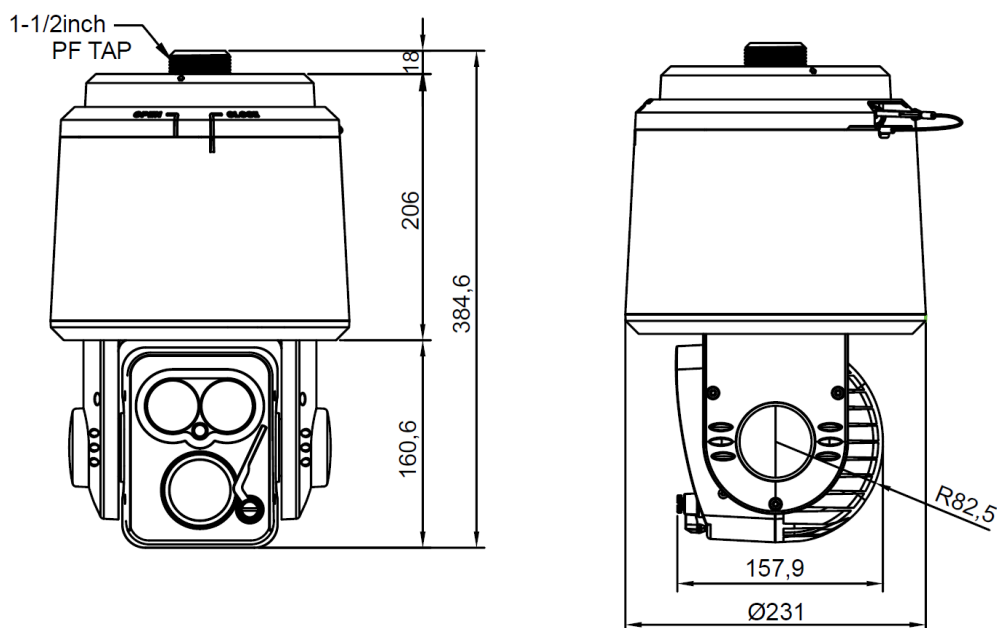
C1080PT-IR-Z20B

Full-HD Twin Motorized IR PTZ Camera

Key Features

- HD-SDI Speed Dome camera
- 20x Optical Zoom(4.7~94mm) and 32x Digital Zoom
- 1/2.8" 2Megapixel CMOS progressive image sensor
- Twin motorized IR Zoom lens for IR intensity & distance adjustment
- Optically perfect flat viewing window preventing blooming and smear
- True Day&Night with IR cut filter removable
- Pan speed : 360°, 0.1°~120°/sec control (proportional to zoom)
- Tilt speed : -8°~188°, 0.8°~80°/sec control (proportional to zoom)
- Preset speed : 250°/sec for pan/tilt (Pan ± 0.1°, Tilt ± 0.05° accuracy)
- 255 Preset, 8 Tour, 6 Group, 8 Scan, 4 Pattern support
- Programmable 8 Privacy zones
- 8 Alarm input, 2 Relay output (2A@30VAC)
- Dual video outputs of HD-SDI and CVBS
- Weather-proof outdoor housing of IP66
- Operating temperature adjustable built-in fan & heater
- Wide operating temperature of -50°C~70°C
- Internal aluminum diecasting for shock-resistance, and the external ABS housing for corrosion-resistant
- Ease installation and maintenance

Dimension (Unit : mm)



VIDEO

| | | |
|-------------------------|---------------------------------------|--|
| Sensor Type | 1/3", 2.1 Megapixel CMOS Image sensor | |
| Total Pixels | 1920(H) x 1080(V) = 2.1M pixels | |
| Scanning System | Progressive Scan | |
| Min Illumination | B/W | 0.1 Lux (DSS OFF) / 0.001 Lux (DSS ON) |
| | Color | 0.5 Lux (DSS OFF) / 0.002 Lux (DSS ON) |
| Lens | Zoom | 20x Optical zoom & 32x Digital zoom |
| | Angle of View | 55.4'(W) ~ 2.9'(T) at HD1080p mode / 37.6'(W) ~ 2.0'(T) at HD720p mode |
| | Focal length & Aperture | f=4.7mm(W) ~ 94mm(T), F1.6 to 3.5 |
| | Min. Working Distance | 100mm (Wide-end), 800mm (Tele-end) |
| IR LED | 2x Motorized IR Zoom | |
| Video Output | HD-SDI | HD1080p30(25), HD720p60(50) |
| | Analog | CVBS (BNC 1.0Vp-p, 75Ω) |
| Video Control | Electronic Shutter Speed | 1 ~ 1/10,000 sec (22 Steps) |
| | Day&Night | Auto/ Day/ Night (ICR) |
| | Focus | Auto/ Infinity/ One-push/ Manual |
| | Exposure Mode | Auto/ Bright/ Iris/ Shutter/ Manual |
| | White Balance | Auto/ One-push/ Manual/ Outdoor/ Indoor |
| | AGC | AUTO/ MANUAL (-3dB to +28dB, 16 steps) |
| | WDR | Off/ On |
| | Noise Reduction | Off, Level 1~3, Auto |
| Pan/Tilt | Range | Pan : 360'(Endless), Tilt : -8° ~ 188°/sec |
| | Pan/Tilt Speed | Pan : 0.1° ~ 120°/sec, Tilt : 0.8° ~ 80°/sec |
| | Preset Speed & Accuracy | Pan : 250°/sec with ± 0.1° accuracy, Tilt : 250°/sec with ± 0.05° accuracy |
| | Preset | 255 presets with labels/ Independent camera setup |
| | Tour | 8 Tours |
| | Group | 6 Groups |
| | Scan | 8 Scans |
| | Pattern | 4 Patterns (up to 60 seconds per pattern) |
| Other functions | Power-up Action & etc. | |

CONTROL INTERFACE

| | |
|------------------------|---|
| Communication | RS-485 |
| RS-485 Protocol | Auto (Pelco-D, Pelco-P, can be supported automatically) |

ELECTRICITY

| | |
|---------------------------------|---------------------------|
| Power Consumption | AC 21V~AC26V, 50/60Hz |
| Heater & Cooling Fan | 30W / 1000RPM Cooling Fan |

MECHANICAL

| | |
|------------------|----------------------------------|
| Dimension | Housing(øxH) : 231 x 385mm |
| Body | External ABS / Internal Aluminum |
| Weight | Approx. 6.4Kg |

ENVIRONMENTS

| | |
|---|--|
| Operation Temperature / Humidity | -50 °C ~ 70 °C with heater & fan / 0%RH ~ 90%RH (non-condensing) |
|---|--|

CERTIFICATIONS

| | |
|-----------------------|--------------------|
| Certifications | KCC, FCC, CE, IP66 |
|-----------------------|--------------------|