

D1080PBL-IR48/D1080BL-IR48
D1080PBL-IR48-AF/ D1080BL-IR48-AF



D1080PBL-IR48/D1080BL-IR48 D1080PBL-IR48-AF/D1080BL-IR48-AF

IR-LED, Auto Focus High-Definition Bullet Camera

Key Features

[PoC Camera : D1080PBL-IR48, D1080PBL-IR48-AF]

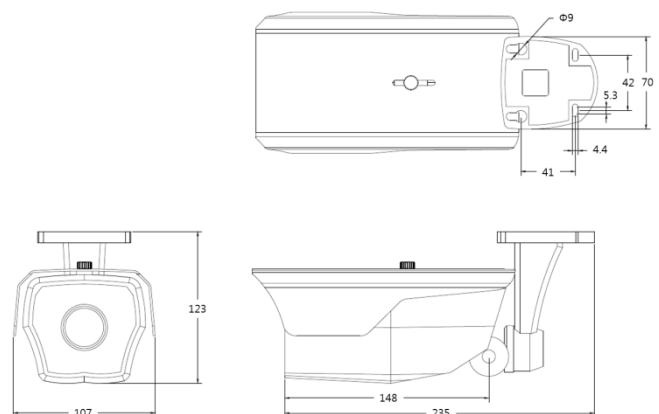
- Camera power supply through Coax (PoC)
- Zoom/Focus, OSD control, Firmware upgrade through Coax (CoC)
- Provides wired remote controller for OSD control and CVBS output

[Common Features]

- 1/3", 2.1M CMOS progressive image sensor
- Built-in DoubleReach™ Transmitter
- HD-SDI 1080p30/25, 720p30/25 or DoubleReach™ video output
- DC Iris, 2.8mm~11mm, F1.6, IR Corrective Megapixel Lens
- One-Push Auto Focus, Zoom/Focus Control (-AF Series)
- Horizontal/Vertical resolution over 1200TV lines
- Superior performance under low light environment
(BW: 0.0005 Lux/ Color: 0.2Lux@50IRE, F1.6, 3100K, DSS off)
- 2 different settings of Exposure & Backlight for Daytime/Nighttime
- 3DNR (Noise Reduction)
- Backlight compensation of WDR/BLC/HLC
- Privacy zone masking (Color selectable)
- True Day&Night with IR cut filter removable
- Anti-Motion Blur function for fast moving object
- De-Fog function
- Smart IR function (No Saturation)
- Test Pattern output (Color bar, Stress Pattern)
- All-in-one Bracket & Housing structure supporting IP66
- Built-in IR LED : 48pcs, Max. 48m visibility

Dimensions (Unit : mm)

D1080PBL-IR48 / D1080PBL-IR48-AF
D1080BL-IR48 / D1080BL-IR48-AF



Specifications

VIDEO		PoC	Non-PoC
Camera Models		D1080PBL-IR48, D1080PBL-IR48-AF	D1080BL-IR48, D1080BL-IR48-AF
Sensor Type		1/3", 2.1Megapixel CMOS	
Total Pixels		1920(H) x 1080(V) = 2.1M pixels	
Scanning System		Progressive Scan	
Min Illumination	B/W	0.0005Lux@50IRE, F1.6, 3100K, DSS(OFF), AGC(10)	
	Color	0.2Lux@50IRE, F1.6, 3100K, DSS(OFF), AGC(10)	
Lens	Filter	True Day & Night (ICR)	
	Type	DC Iris, 2.8~11mm, F1.6, IR Corrective Megapixel Lens	
Video Output	Output	1 (BNC 1.0 Vp-p, 75Ω)	
	Resolution	1080p 30/25fps, 720p 30/25fps	
	Video Format	HD-SDI (SMPTE 292M compatible) or DoubleReach™ Selectable	
	Distance	HD-SDI : Max. 200m(650ft) video transmission through 5C-HFBT cable DoubleReach™ : Max. 400m(1,200ft) video transmission through 5C-HFBT cable	
Video Control	Control Method	OSD menu, DVR (Supporting remote control via CoC), CMS (Control Center)	
	AGC	1 ~ 10 steps	
	Mirror	Horizontal / Vertical	
	WDR	OFF, 1 ~ 5 steps	
	BLC	OFF, LOW, MIDDLE, HIGH	
	ACE	OFF, ON	
	DNR	OFF, LOW, MIDDLE, HIGH	
	DSS	OFF, Auto, x2 ~ x10 steps	
	White Balance	AUTO, PRESET, MANUAL	
	Electric Shutter	INDOOR, OUTDOOR, INDOOR-ANTI BLUR, OUTDOOR-ANTI BLUR, MANUAL(12 steps)	
	D-ZOOM	0 ~ 16 steps	
	ANTI-FLICKER	OFF, ON	
	Lens Shading	OFF, ON	
	HLC	0 ~ 10 steps	
	DE-FOG	OFF, ON (Auto / Manual)	
Privacy	OFF/ON (15 Zones)		
CONTROL INTERFACE			
Control	CoC (Control over Coax)	RS485	
LIGHT			
IR Light Source	48pcs, 850nm, 60°, control by visible light sensor, max. 48m		
ELECTRICITY			
Power Consumption	PoC (DC24V ± 10%), 6W	DC12V ± 10%, 5W / AC 24V ± 10%, 8W	
MECHANICAL			
Dimension	107(W) x 123(H) x 235(D) mm		
Weight	1600g		
ENVIRONMENTS			
Operation Temp. / Humidity	-10 °C ~ 50 °C / 0%RH ~ 80%RH		
CERTIFICATIONS			
Certifications	KC, FCC, CE, RoHS		