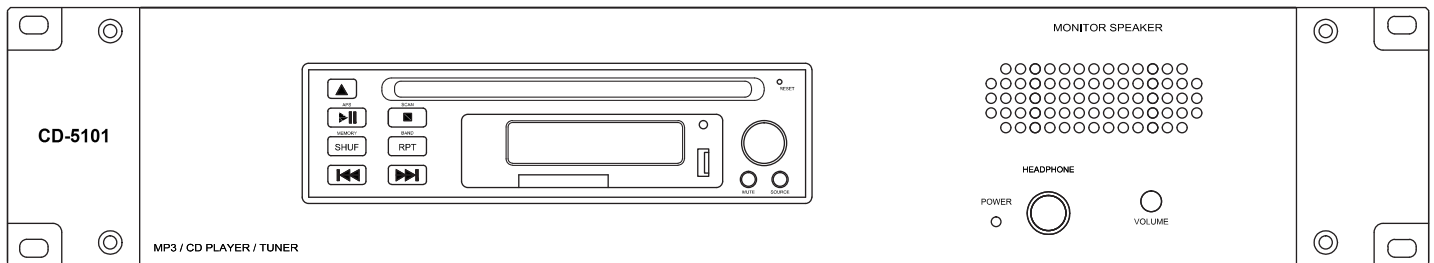


# INSTRUCTION MANUAL

---

## CD5101

CD / MP3 / AM-FM Tuner with USB / SD Inputs

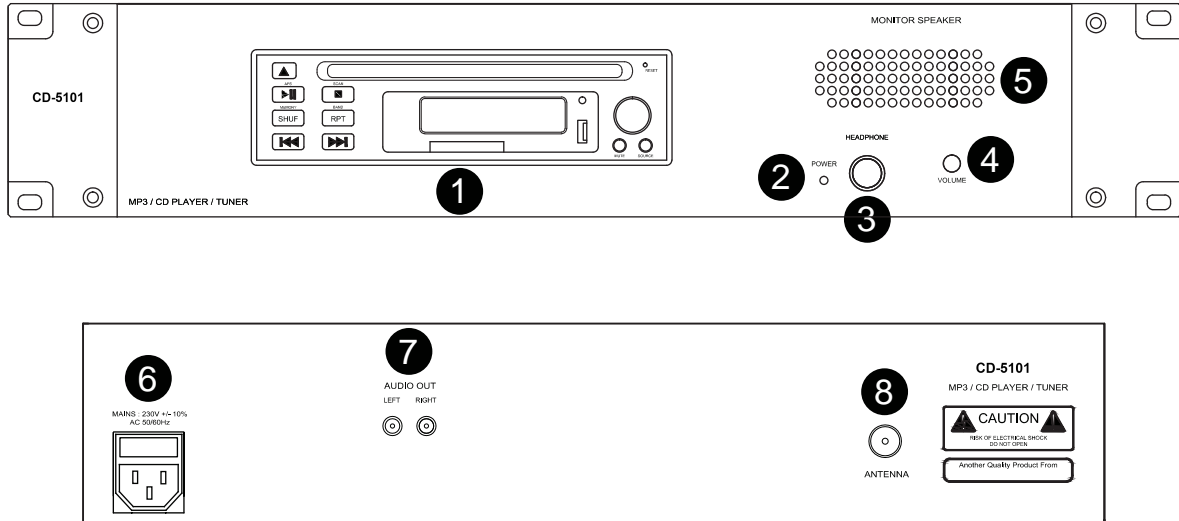


---

Kodio CD5101 has been improved further with refined circuiting for better sound reproduction and energy efficiency. With a careful thought of getting the right player for the PA installations, we would be right to offer this unique product, a rack mount ready equipment with music playback using various media - CD, USB and SD Card.

We appreciate that you read through the manual to avoid any mishandling as well as to explore the full potential this unit can offer. Keep this manual for future reference and we believe that you are getting an optimum product in its class.

# Parts Identifications



## 1. PLAYER MODULE

Module for CD player, AM/FM tuner, SD and USB input slots, volume control as well as other controls for playback.

## 2. POWER INDICATION LED

Mains LED for incoming mains supply.

## 3. HEADPHONE JACK

Headphone listening using 1/4" phone jack. Headphone shall override the front speaker output.

## 4. VOLUME CONTROL

Volume controller for headphone volume and the speaker output.

## 5. MONITOR SPEAKER

Playback from module can be listened via the front monitor speaker.

## 6. POWER CABLE

Incoming supply of 230 / 240V ac, please use correct fuse rating at the plug top for replacement.

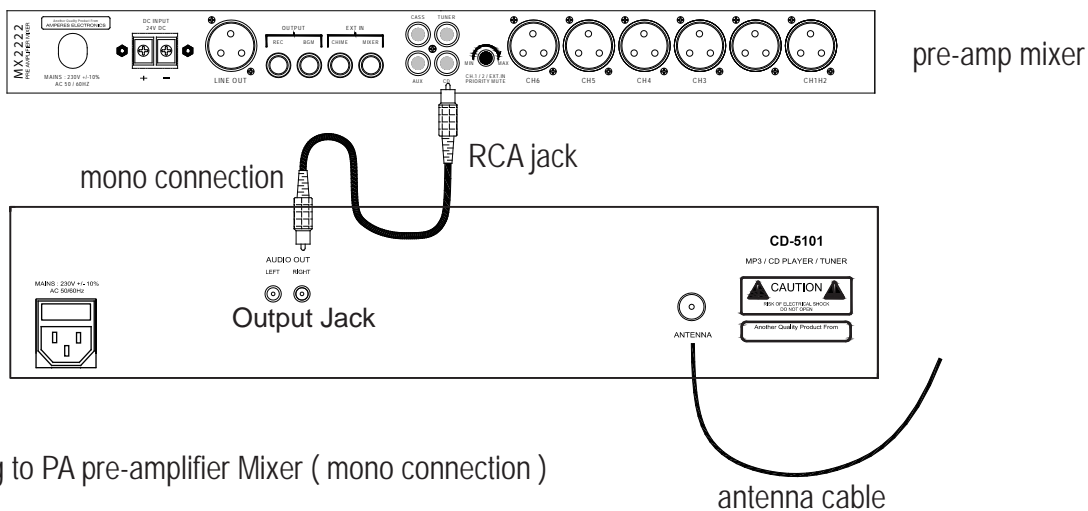
## 7. OUTPUT JACKS

Stereo outputs using RCA jacks, unbalanced line output.

## 8. ANTENNA JACK

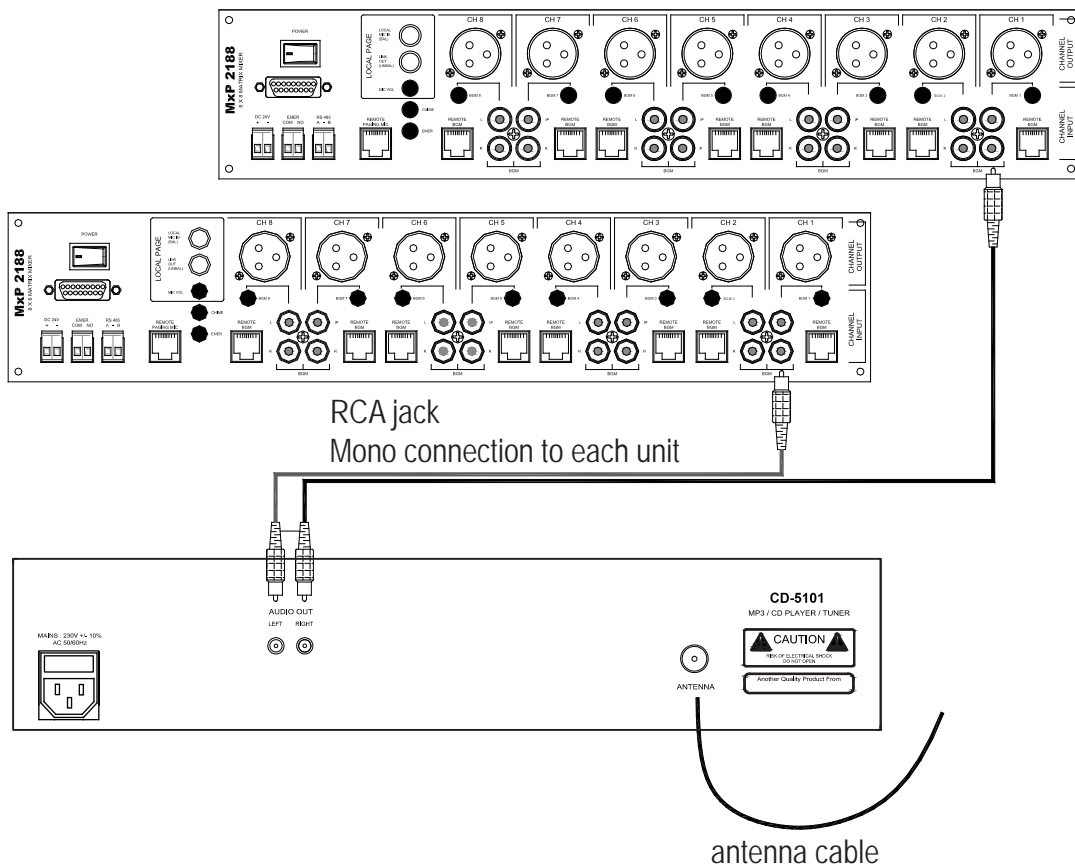
Plug in antenna cable provided via this input.

# Connecting the Unit



Connecting to PA pre-amplifier Mixer ( mono connection )

Connecting to Matrix Mixer under cascade mode



# Operating the Unit

## MAINS POWER

Switch on the mains power. The unit operates under 230 / 240 V ac. The unit will go into standby mode with the module LCD display in dimmed light.

## SOURCE / STANDBY

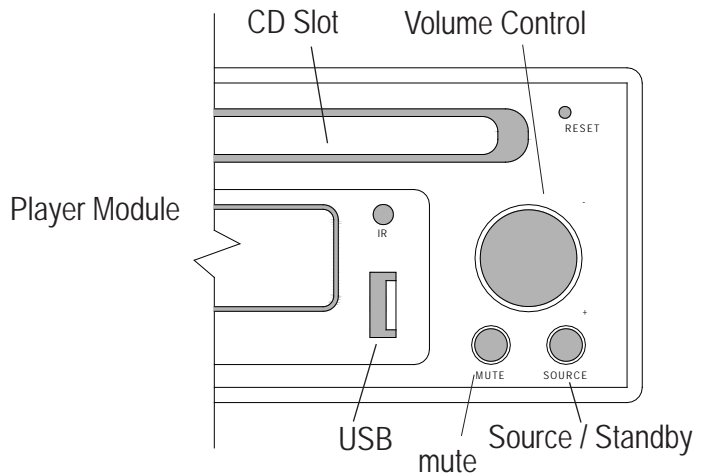
Press the Source button to turn the module on or off. It is also used to select the source for playback.

## MODE

With CD in the slot, pressing the MODE button at remote control, the menu at the display would switch between :

**RADIO ---- CD ---- USB ---- SD ---- RADIO**

USB or SD mode would be skipped if no device is connected.



## VOLUME

To adjust the output volume, turn the Volume knob clockwise to increase or anti clockwise to decrease. The headphone output volume shall be adjusted accordingly.

# Playing CD

Insert a CD into the CD slot and the LCD screen shall show PAUSE mode.

## PLAY / PAUSE

Press this button to Play or to Pause



## STOP

Press this button to Play or to Pause. Pressing Play button again would return to the first song.



## SHUFFLE (SHUF)

This button shall randomly select songs for playback. To continue playback according to song number, press this button to off the function.

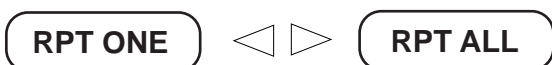


## REPEAT

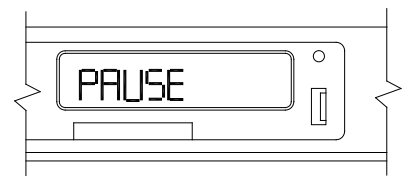
By selecting RPT ONE, the track shall play the track repetitively. In RPT ALL, the CD shall play in normal mode.



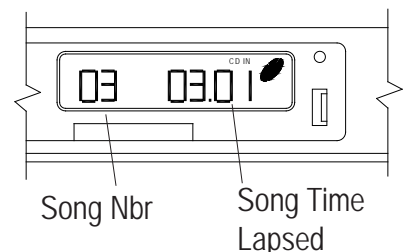
Pressing this button would shift between RPT ONE and RPT ALL



Pause Menu



CD Playback display



## NEXT AND PREV

The top button shall repeat the previous song while the bottom one shall skip to the next song.



## MUTE SONG

Press the mute button to silence the audio and again to resume the song.

## EJECT DISC

Use this button to insert or eject a disc. It is not recommended to push the disc forcefully into the slot.



# Playing USB / SD

Insert a SD card or USB into the slot and the unit shall automatically enter the playing mode.

The playback controls for USB is similar to those in CD playback. ( Please refer to the previous page ).

# AM / FM Tuner

To enter the Radio mode, press Source button and the display shall show FM mode. Alternatively, use the remote controller to select by pressing MODE button.

## BAND

Select the required band ; 3 FM and 2 AM bands.

**FM1 - FM2 - FM3 - AM1 - AM2**



## SCAN

Press momentarily to start scanning for station. Once a station is captured, the display shall flash.

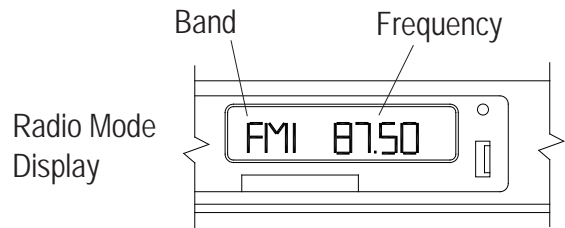
Press the button to stop scanning or to select the station, else it shall continue to scan for other available stations.



## MEMORY

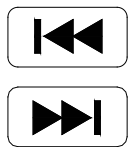
In reception mode, press the Memory button briefly to store the station. A station memory number shall appear next to the station frequency. Press again to confirm.

To select stored memory, press this button and use Next or Prev button to select the station required.



## MANUAL TUNING

Use the NEXT or PREV buttons to manually select the stations

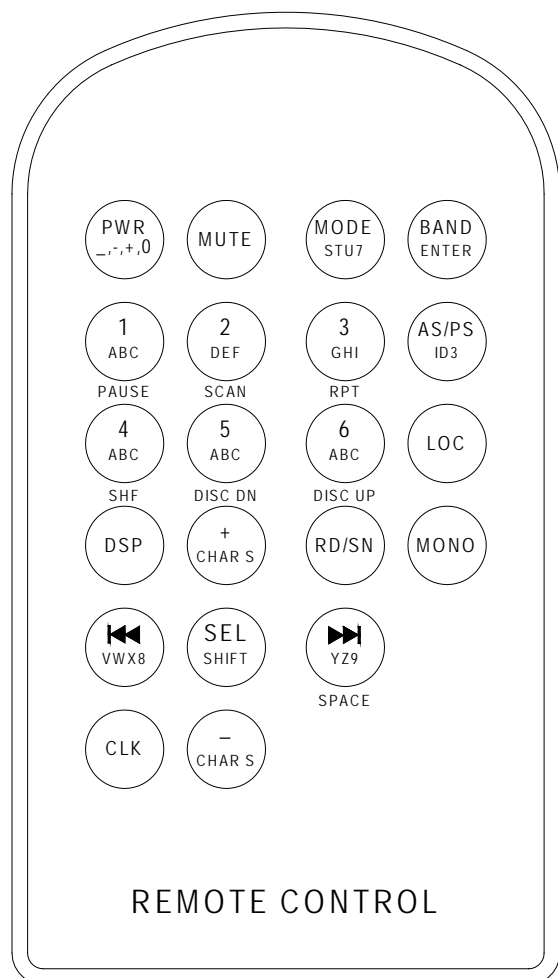


## AUTO PROGRAM SELECT (APS)

In the selected band, press APS button briefly and the tuner shall automatically search the stations and store them in the meomory from 1 to 6.



# Remote Control Unit



## PWR - Power

Switch on / standby of the player. Also for characters \_ , . , + and 0

## MUTE

To mute the volume. Press again to return to previous volume.

## MODE

To select the playback mode of the module - AM, FM, CD or USB. Also for character S,T,U and 7.

## BAND

To select the radio band - AM or FM

## BUTTON 1

Button for numerical value 1, as well as A, B, C and PAUSE function.

## BUTTON 2

Button for numerical value 2, alphabet D,E,F and SCAN function for tuner.

## BUTTON 3

Button for numerical value 3, alphabet G,H,I and REPEAT function for song playback.

## BUTTON 4

Button for numerical value 4, alphabet J,K,L and SHUFFLE function for song playback.

## BUTTON 5

Button for numerical value 5, alphabet M,N,O and DISC DN ( disc eject ) function for CD playback mode.

## AS / PS

Auto search for radio station. Press briefly to start search and once a station is captured, LCD shall flash. Press SEL to select.

## CLK ( CLOCK )

Press once to display the clock. The LCD shall return to previous display after a few seconds.

To set clock, press CLK briefly and the time shall be ready for adjustment in flashing mode. Use the + and - key to select the hour and Next key to move to minute. Again use + / - to adjust the minutes.

## CHAR SEL, + / -

For numerical value 8, 9, 0 and volume up or down.

## RD SCAN

Manual scan the radio station

## MONO

To turn the output into mono mode



For fast forward playback and also button for Y,Z,9 and space.



For backward song playback and also button for V,W,X and 8.

## Technical Data

Playback system	CD / CD-R / CD-RW / MP3 / Tuner
-----------------	---------------------------------

### CD / USB

Frequency response	20 - 20 KHz
--------------------	-------------

S/N ratio	70 dB
-----------	-------

Channel separation	> 45 dB
--------------------	---------

Noise	4 mV
-------	------

Distortion	< 0.5%
------------	--------

### TUNER

Tuner frequency	AM : 522 - 1620 KHz
-----------------	---------------------

	FM : 87.5 - 108MHz
--	--------------------

S/N ratio	55 dB
-----------	-------

Audio output	500 mV
--------------	--------

Output jack	Stereo, RCA jack
-------------	------------------

Headphone output	1/4" phone jack
------------------	-----------------

Headphone volume	Via front VC, +4 dB gain
------------------	--------------------------

Working temperature	45°C
---------------------	------

Power supply	230 - 240V ac
--------------	---------------

Power consumption	1.8W at 240V ac
-------------------	-----------------

Dimensions (WxHxD)	482 x 88 x 180 mm
--------------------	-------------------

Weight	4.6 kg
--------	--------