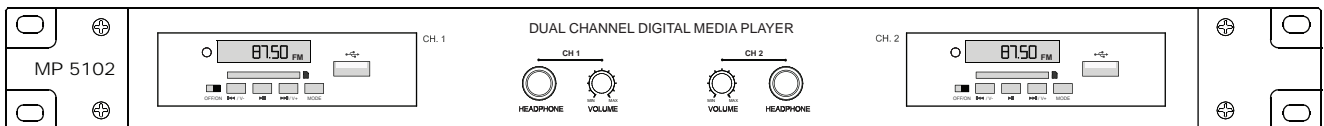


INSTRUCTION MANUAL

MP5102

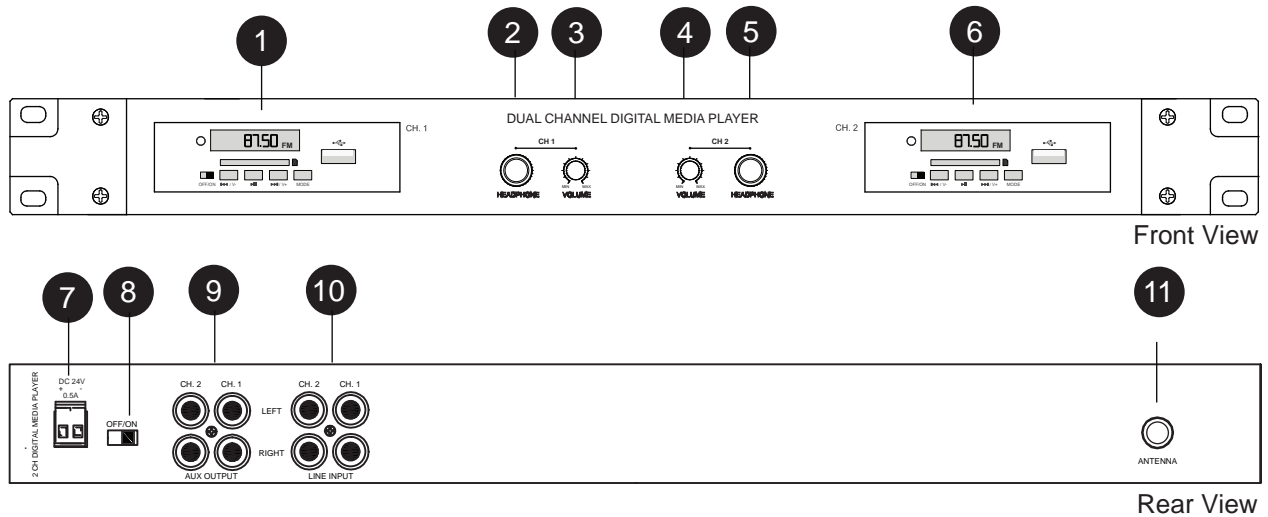
2 CH Media Player



MP5102 is a newly added product, which is a 2 channel digital media player in a single rack mount unit. The modules work independently and would be able to play files from SD card or USB drive as well as receiving FM broadcast.

It is suitable for system which requires multiple music sources such as Matrix system. MP5102 is definitely the choice which offers great performance for a fraction of cost as compared to using individual player.

Parts Identifications



1. PLAYER MODULE (CHANNEL 1)

Module for AM / FM Tuner, SD & USB Input Slots, volume control as well as other controls for playback.

2. HEADPHONE JACK (CHANNEL 1)

Headphone listening using 1/4" phone jack. Headphone shall override the front speaker output.

3. VOLUME CONTROL (CHANNEL 1)

Volume controller for headphone volume & the speaker output.

4. VOLUME CONTROL (CHANNEL 2)

Volume controller for headphone volume and the speaker output.

5. HEADPHONE JACK (CHANNEL 2)

Headphone listening using 1/4" phone jack. Headphone shall override the front speaker output.

6. PLAYER MODULE (CHANNEL 2)

Module for AM/FM Tuner, SD & USB Input Slots, volume control as well as other control for playback.

7. DC INPUT CONNECTOR

MP5102 shall require 24V DC for its operation.

8. OFF / ON BUTTON

Power switch for the unit.

9. AUDIO OUTPUT

Unbalanced stereo line output via RCA jacks.

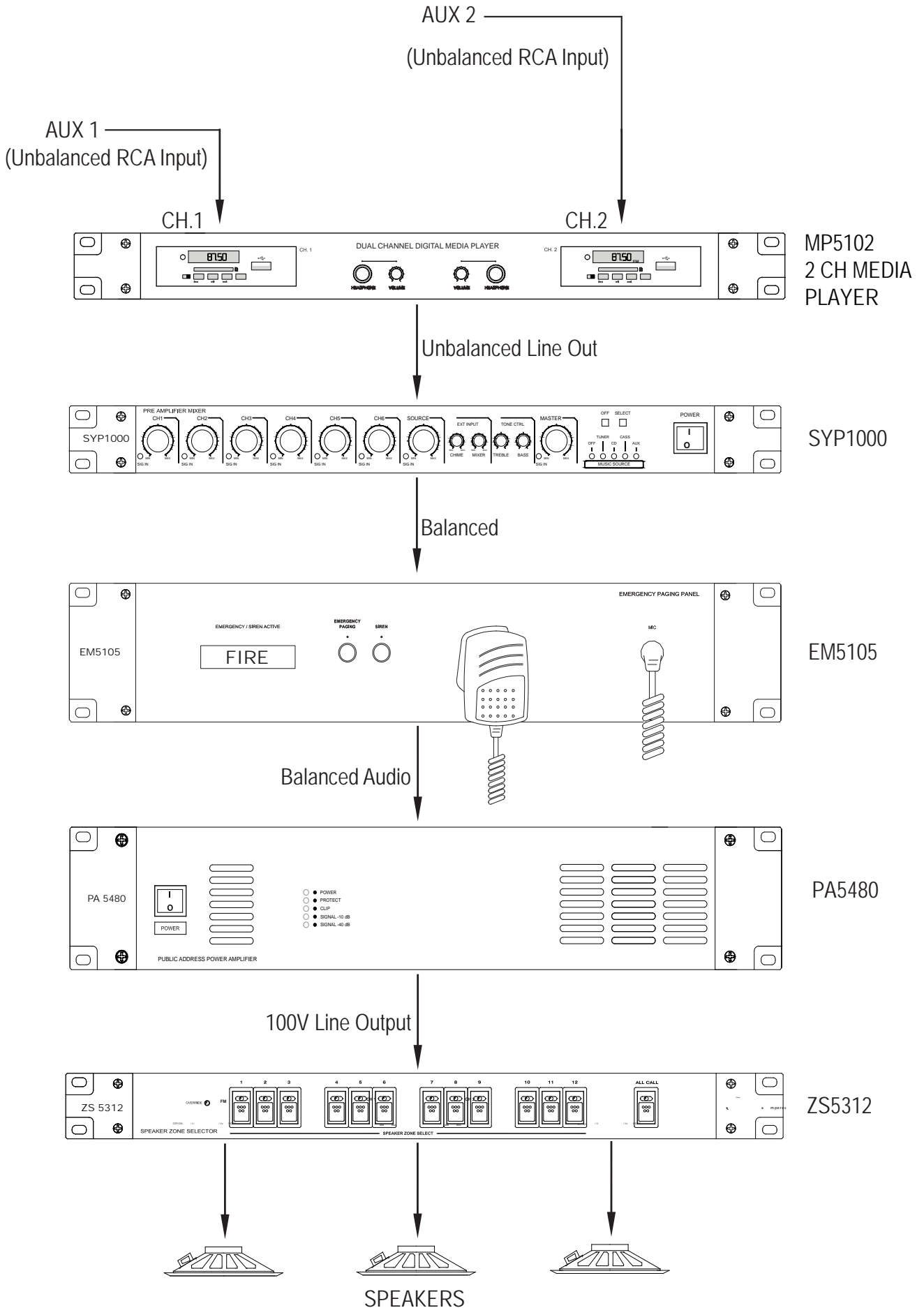
10. AUDIO INPUT

RCA jack from external source audio input CD, DVD, PC, etc

11. ANTENNA JACK

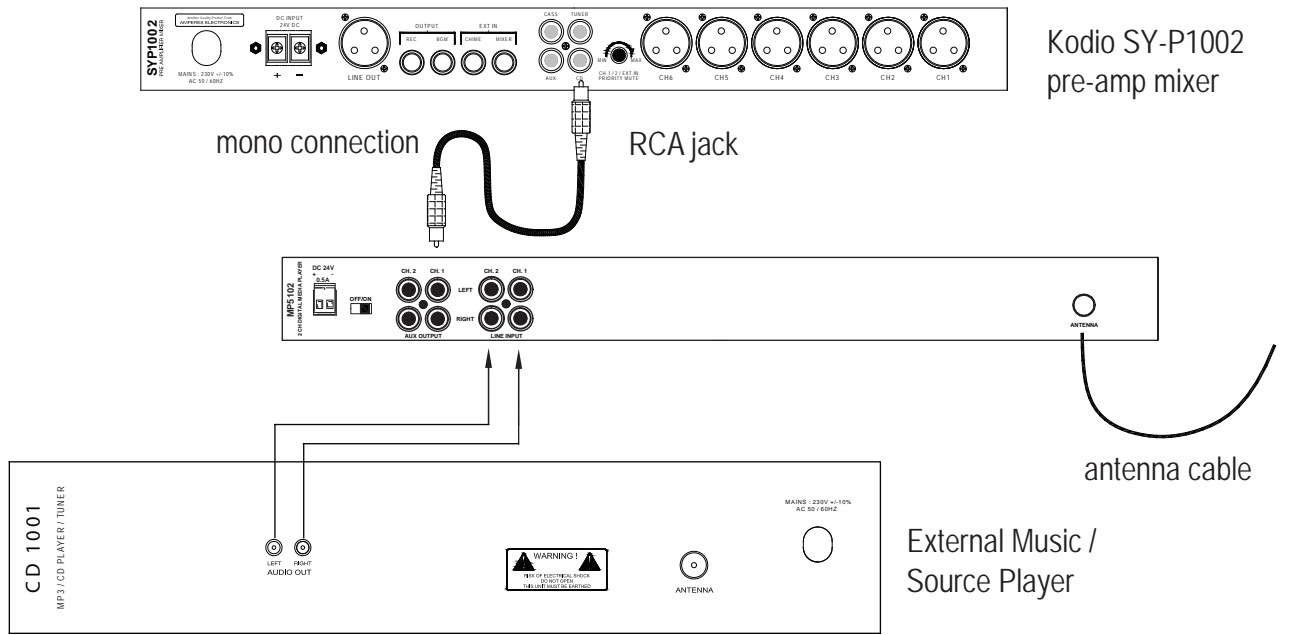
Plug in antenna cable provided via this input.

Application Schematic

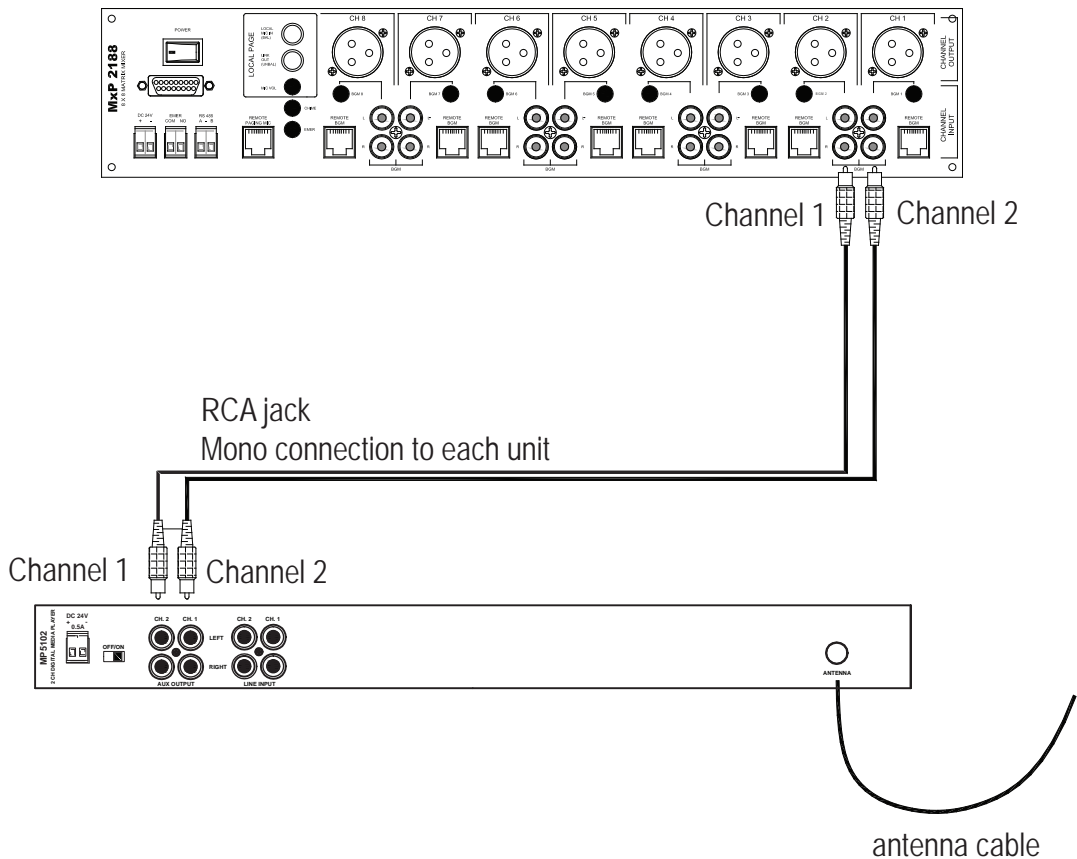


Connecting the Unit

Connecting to PA pre-amplifier Mixer (mono connection)

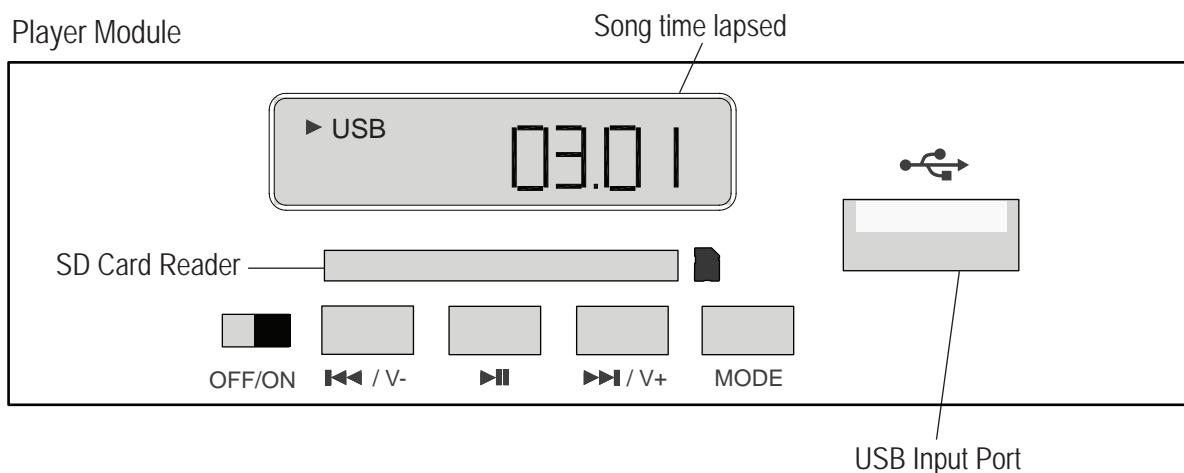


Connecting to Matrix Mixer MxP2188.



Operating the Unit (Playing USB / SD)

Insert a SD Card or USB into the slot and the unit shall automatically enter the playing mode.



OFF/ON Button

Individual power OFF/ON for each module



Next, Prev & Volume Button



The top button for repeating the previous song and to decrease the song volume while the bottom one shall skip to the next song and to increase the song volume.



Play & Stop Button

Press this button to play or to stop.

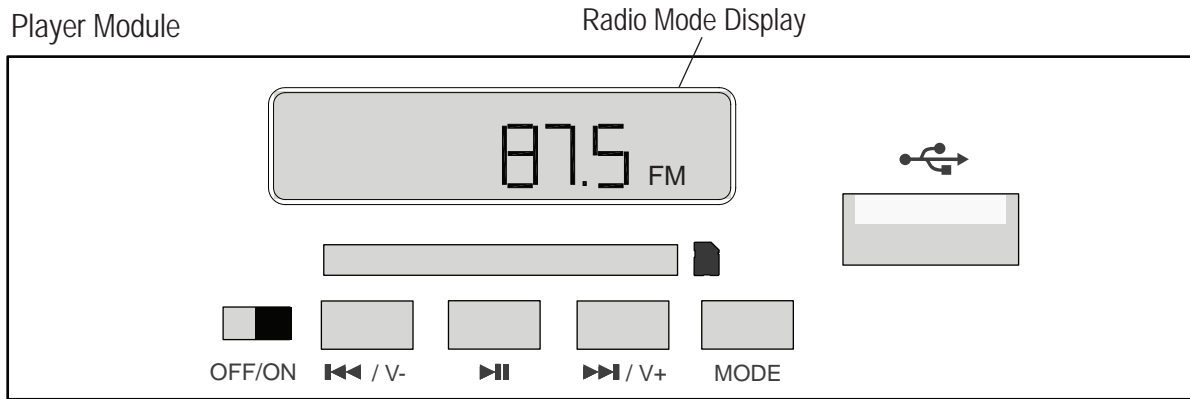


Mode Button

The menu at the display would switch between :-

RADIO ---- USB ---- SD ---- RADIO

Operating the Unit (AM / FM Tuner)



 To enter the radio mode, press Mode button & FM Radio reception mode shall be displayed.
MODE

  Use the 'Next' or 'Prev' button to manually select the station.
◀ / V- ▶ / V+

 Auto program select. Press this button briefly and the tuner shall automatically search the stations.
▶

Features

- Dual channel BGM source in a box
- Plays files from SD card, USB drive and FM radio reception
- Headphone monitoring

Technical Data

Operating Voltage	24V DC 1A
Power Consumption	180mA
Playback Media	USB, mini SD Card, FM radio
Supported Files	MP3, wav
Aux Audio Input	RCA Stereo Line In
Audio Output	RCA Stereo
Output Voltage	LINE Out 1.2V unbalanced
Dimension (W x H x D)	482 x 44 x 180 mm
Weight	1.8 kg