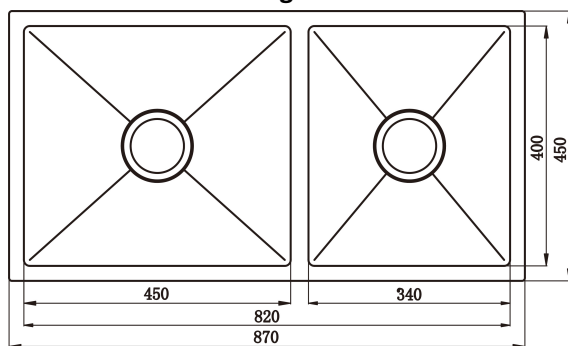


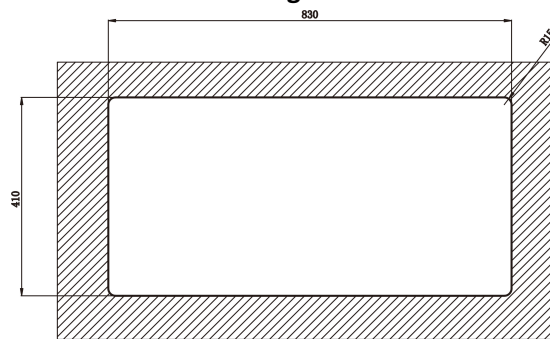
Product Range	: Kitchen Stainless Steel Sink		
Product Type	: Undermount Double Bowl		
Product Series	: UNDERMOUNT (R10) Collection	Model	: HT-UND-R10-121

Material	: Grade 304 Stainless Steel, Chromium Nickel Content 18/8
Thickness	: 1.0 mm
Overall Dimension	: 870 x 450 x 220 mm
Bowl(s) Dimension	: 340 x 400 mm, 450 x 400 mm
Drainage Dimension	: \varnothing 90 mm
Installation Type	: Undermount
Features	: Pressed stainless steel sink with 10mm radius corners

Overall Dimension Diagram



Cut-out Dimension Diagram



WARRANTY:

- Lifetime warranty on Anti-rust
- 1-year warranty on manufacturing defects

PRODUCT WARRANTY REGISTRATION:

- Log on to www.haustern.com for product warranty registration and more information on terms and conditions

CLEANING RECOMMENDATION:

- Sink should not be cleaned with abrasive materials such as steel wool or scourers
- Do not use any corrosive or abrasive cleaning agents containing acid or scouring agents

This specification is subject to change without notice. FIAMMA TRADING SDN. BHD. will not be held responsible for the use of superseded or voided specifications. Fabricator must check for cut-out accuracy.