

MODEL :	HTCC-BEVER-2003A	HTCC-BEVER-2036A
	HTCC-WISPER-2053A	HTCC-WEIDA-2012A

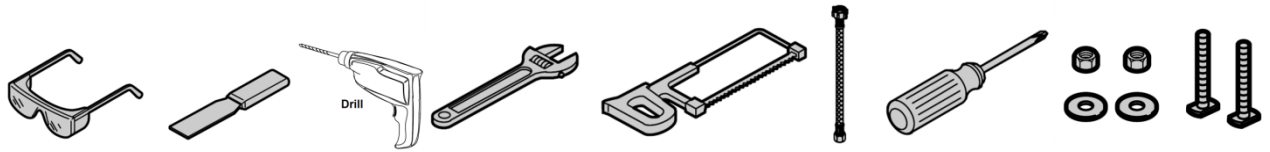


WARRANTY:

- * 3-year warranty on Adjustable WDI Fitting
- * 3-year warranty on Seat Cover

Log on to www.haustern.com for more information on terms and conditions

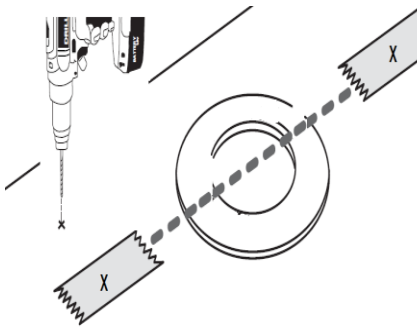
This specification is subject to change without notice. FIAMMA TRADING SDN. BHD. will not be held responsible for the use of superseded or voided specifications. Fabricator must check for cut-out accuracy.



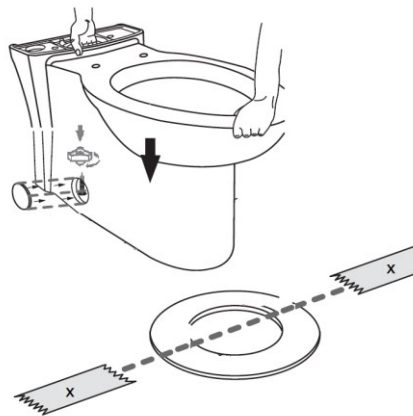
FOREWOOD

- These instructions are only a guide and all Haustern products must be installed by a qualified contractor.
- Ensure that the correct tools are used in each step of these procedures.
- Ensure water is turned off before the installation, and should have been aside of sewage and water supply pipes.
- Prior to installation remove the toilet from carton and inspect for transport damage.

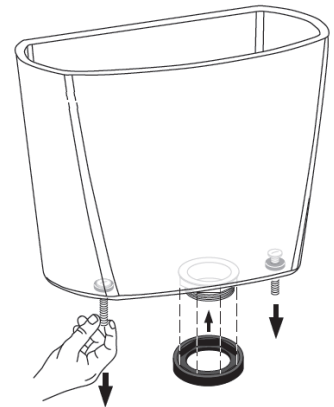
1. Locate and mark new toilet mount locations on floor. Taking the waste hole as the center point, mark the "x" at left and right of the waste hole and drill a 6mm hole.



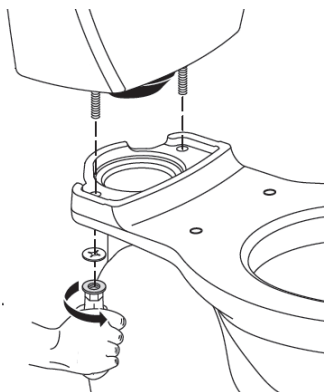
2. Gently and accurately place the toilet on the floor. Tighten the screw at the X point.



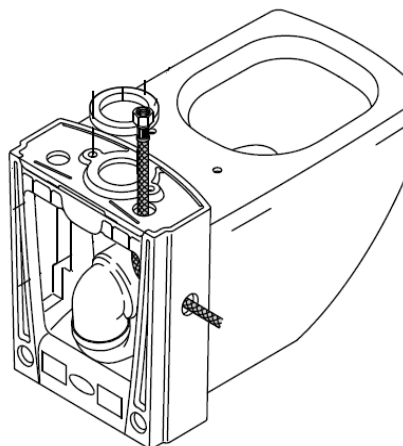
3. Install the screw inside the tank.



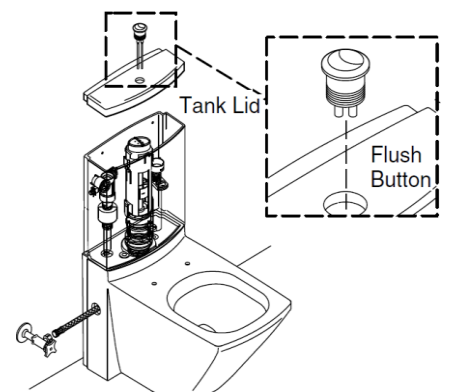
4. Carefully place the water tank on the seat and tighten the screw. Ensure the correct position of the sealing ring into the valve nut.



5. Thread the supply hose onto the water inlet on the bottom of the tank.






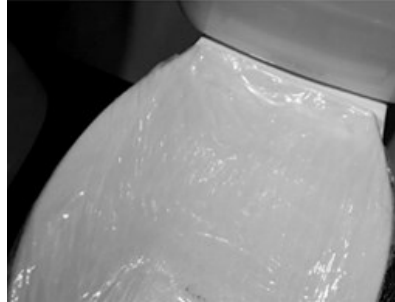


6. Install the dual-flush button into the lid. Carefully place the tank lid into the tank where the flush button is accurately on top of the WDI fitting. Finally install the seat cover provided.



Seat Cover Model	: HT-FT-2012
Product Model	: HTCC-WEIDA-2012A

- These instructions are only a guide and all Haustern products must be installed by a qualified contractor.
- Ensure that the correct tools are used in each step of these procedures.

<p>STEP 1: Inset the screw onto the platform that attached with the seat cover.</p>	<p>STEP 2: Inset another screw onto the platform.</p>	<p>STEP 3: Your platform should be same as the photo reference below.</p>
		
<p>STEP 4: Fix the seat cover on the toilet seat and adjust to the right position.</p>	<p>STEP 5: Tighten the screw from bottom.</p>	<p>STEP 6: It is DONE! You may simply test your seat cover.</p>
		

WARRANTY:

- 3-year warranty on Seat Cover.

Log on to www.haustern.com for more information on terms and conditions