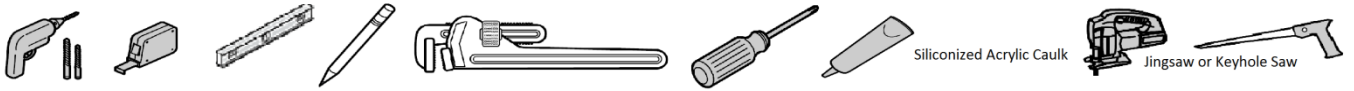


MODEL :	HTB-BEVER-211	HTB-ELSTER-211	HTB-ELSTERIA-211
	HTB-ELSA-211	HTB-ERISTA-211	HTB-ELTIS-211
	HTB-BELLA-211	HTB-BOSSA-201	



Log on to www.haustern.com for
more information on terms and conditions

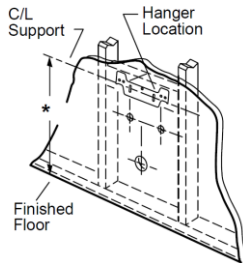
This specification is subject to change without notice. FIAMMA TRADING SDN. BHD. will not be held responsible for the use of superseded or voided specifications. Fabricator must check for cut-out accuracy.



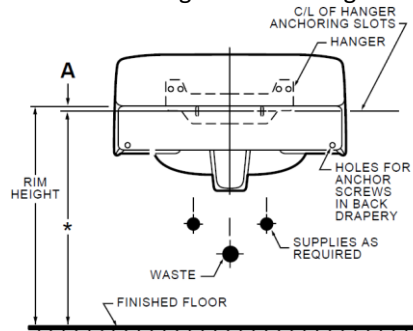
FOREWOOD

- These instructions are only a guide and all Haustern products must be installed by a qualified contractor.
- Ensure that the correct tools are used in each step of these procedures.
- Ensure water is turned off before the installation of the wash basin, and should have been aside of sewage and water supply pipes.
- Prior to installation remove the basin from carton and inspect for transport damage.

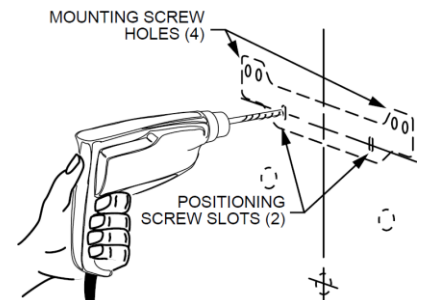
1. Provide suitable reinforcement behind finished wall for basin hanger mounting screws and determine horizontal centre line location. Make sure support bottom extends to basin back wall bottom.



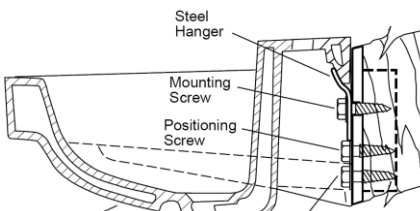
2. Determine the desired rim height. Position hanger making sure its centre is aligned with the waste hole centreline. Mark the hanger screw locations through its mounting holes.



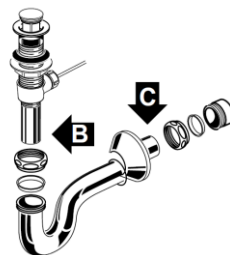
3. Drill pilot holes in positioning screw slots of hanger.



4. Fix hanger to wall (loose). Mount basin for positioning, level the deck, and mark bottom anchor screw holes (if applicable). Remove basin, tighten the hanger positioning screws and drill pilot holes for anchor screws and 4 mounting screws. Install and tighten the mounting screws.



5. Following manufacturer instructions install faucet and drain assembly. Connect trap to drain assembly hand tight to check alignment. It may be necessary to cut off part of the tailpiece (area "B") or part of the horizontal leg of the trap (area "C").



6. Connect hot and cold supply lines to the shut-off valves. Tighten trap joints for watertight assembly. Apply a bead of caulk around the edge which contacts the wall.



This specification is subject to change without notice. FIAMMA TRADING SDN. BHD. will not be held responsible for the use of superseded or voided specifications. Fabricator must check for cut-out accuracy.

FIAMMA TRADING SDN. BHD. (330476-P)

Wisma Fiamma, No. 20 Jalan 7A/62A, Bandar Manjalara
52200 Kuala Lumpur, Malaysia.

Website: www.haustern.com
Office Number: +603-6279 8888