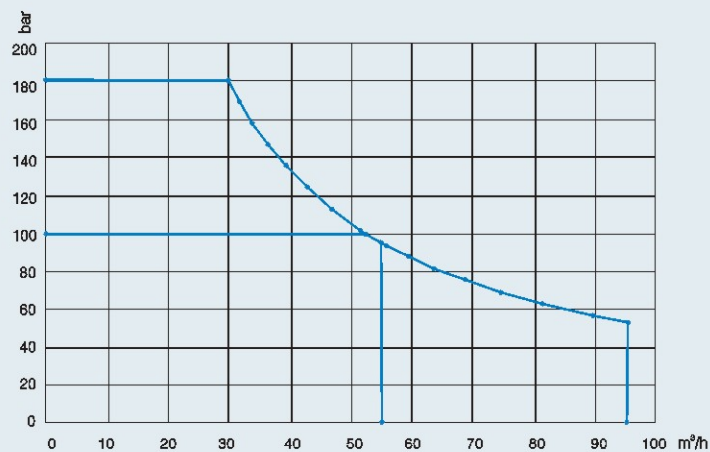
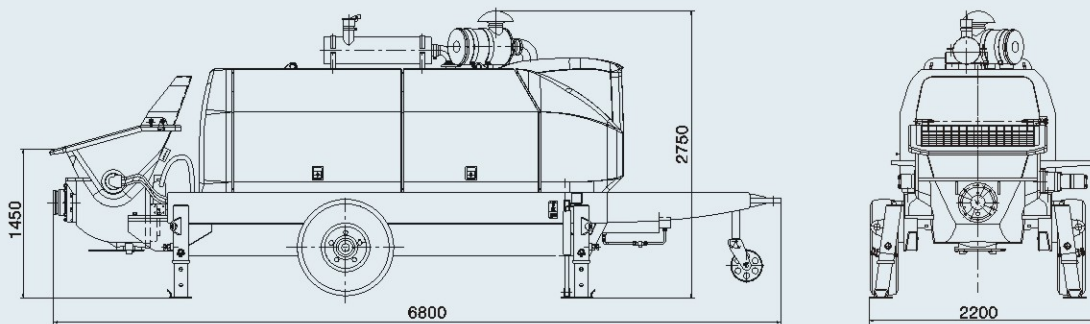


# HBT100.18.195RSU



# HBT100.18.195RSU

## Main Features

### 1.Stability:

- Special hydraulic system with double pumps and double circuits: compared with single pump double circuits, the pumping system and distributing system are driven by two independent pumps that allow a more stable oil flow rate to the pumping unit.
- Intelligent control system: advanced technology, easy operation and high reliability electrical system.

### 2.High efficiency:

- Hopper: High Suction Capacity due to Large Angle Fluent Hopper Design with less feed accumulation area.
- S valve: well designed S valve ensures the smooth flow of concrete.
- Rapid concrete piston substitution: the pistons can be changed easily by a single operator without any special tools in 15minutes. The hydraulic cylinder has an extra stroke to allow the piston to extend from the concrete cylinder.

### 3.Energy saving:

- Low running costs.
- Hydraulic oil treatment: equipped with multistage fine filtration and water separation devices, to extend hydraulic components lifetime and reduce oil changes.
- Super wear-resistant component: special steel alloy made spectacles wear plate and cutting ring plus high wear-resistant cast steel material made mixing blade, ensuring a longer lifetime of weary spare parts.
- Hydraulic Low / High Pressure Mode Shifting: high/low pressure working mode is easily selected at the press of a button for variable heights of pumping.

## Standard equipment

- N 4 manual outriggers
- Drawbar
- Spinal canal
- high-low pressure shifting
- air-cooling device
- controller

## Optional

- Electric vibrator on grid,
- water pump
- Four hydraulic outriggers
- Water cooler

## Technical data

Model		HBT100.18.195RSU
Drive power	KW	195
Max. Concrete Output	m <sup>3</sup> /h	93/54
Max. Concrete Pressure	bar	100/180
Concrete Cylinder(diam × stroke)	mm	200 × 1800
Strokes	1/min	25/14
Hopper Capacity	L	600
Filling height	mm	1450

Technical data and characteristic subject to modifications without notice