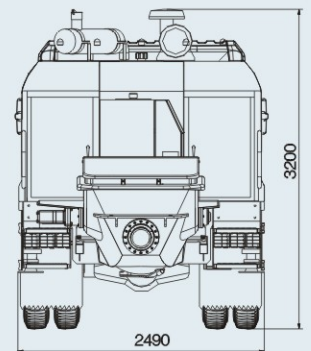
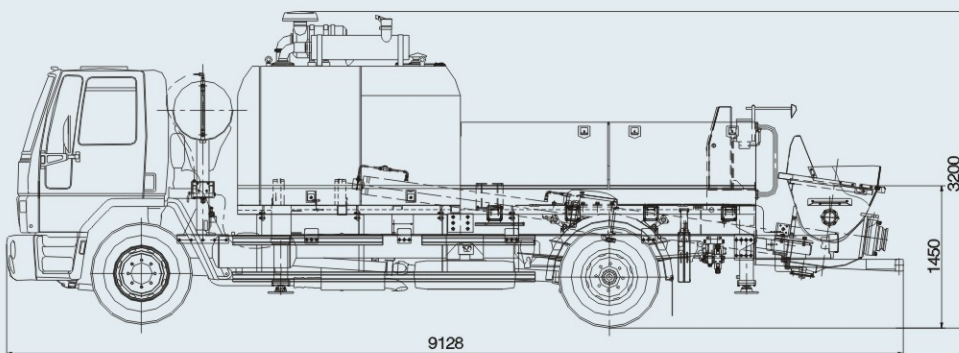


ZLJ5121THB (K17039) 174KW



ZLJ5121THB (K17039) 174KW

Main Features

1. Stability:

- Special hydraulic system with double pump and double circuits: compared with single pump double circuits, the pumping system and distributing system are driven by two independent pumps that allow a more stable oil flow rate to the pumping unit.
- Intelligent control system: advanced technology, easy operation and high reliability electrical system.

2. High efficiency:

- Hopper: High Suction Capacity due to Large Angle Fluent Hopper Design with less feed accumulation area.
- S valve: well designed S valve ensure the smooth flow of concrete.
- Rapid concrete piston substitution: the pistons can be changed easily by a single operator without any special tools in 15minutes. The hydraulic cylinder has an extra stroke to allow the piston to extend from the concrete cylinder.

3. Energy save:

- Low running costs.
- Hydraulic oil treatment: equipped with multistage fine filtration and water separation devices, to extend hydraulic components lifetime and reduce oil changes.
- Super wear-resistant component: special steel alloy made spectacles wear plate and cutting ring plus high wear-resistant cast steel material made mixing blade, ensuring a longer lifetime of weary spare parts.
- Hydraulic Low / High Pressure Mode Shifting: high/low pressure working mode is easily selected at the press of a button for variable heights of pumping.

4. High mobility

- can move freely to adapt to multiple jobsites.

Standard equipment

- Four hydraulic outriggers
- high-low pressure shifting
- air-cooling device
- Electric display screen
- Quick-release piston
- Air cleaning machine
- Auto lubricating system

Optional

- Electric vibrator on grid

Technical data

Model	ZLJ5121THB (K17039) 174KW	
Drive power	kW	174
Max. Concrete Output	m ³ /h	90/57
Max. Concrete Pressure	bar	90/140
Concrete Cylinder(diam × stroke)	mm	230 × 1650
Strokes	1/min	22/14
Hopper Capacity	L	600
Filling height	mm	1450

Technical data and characteristic subject to modifications without notice