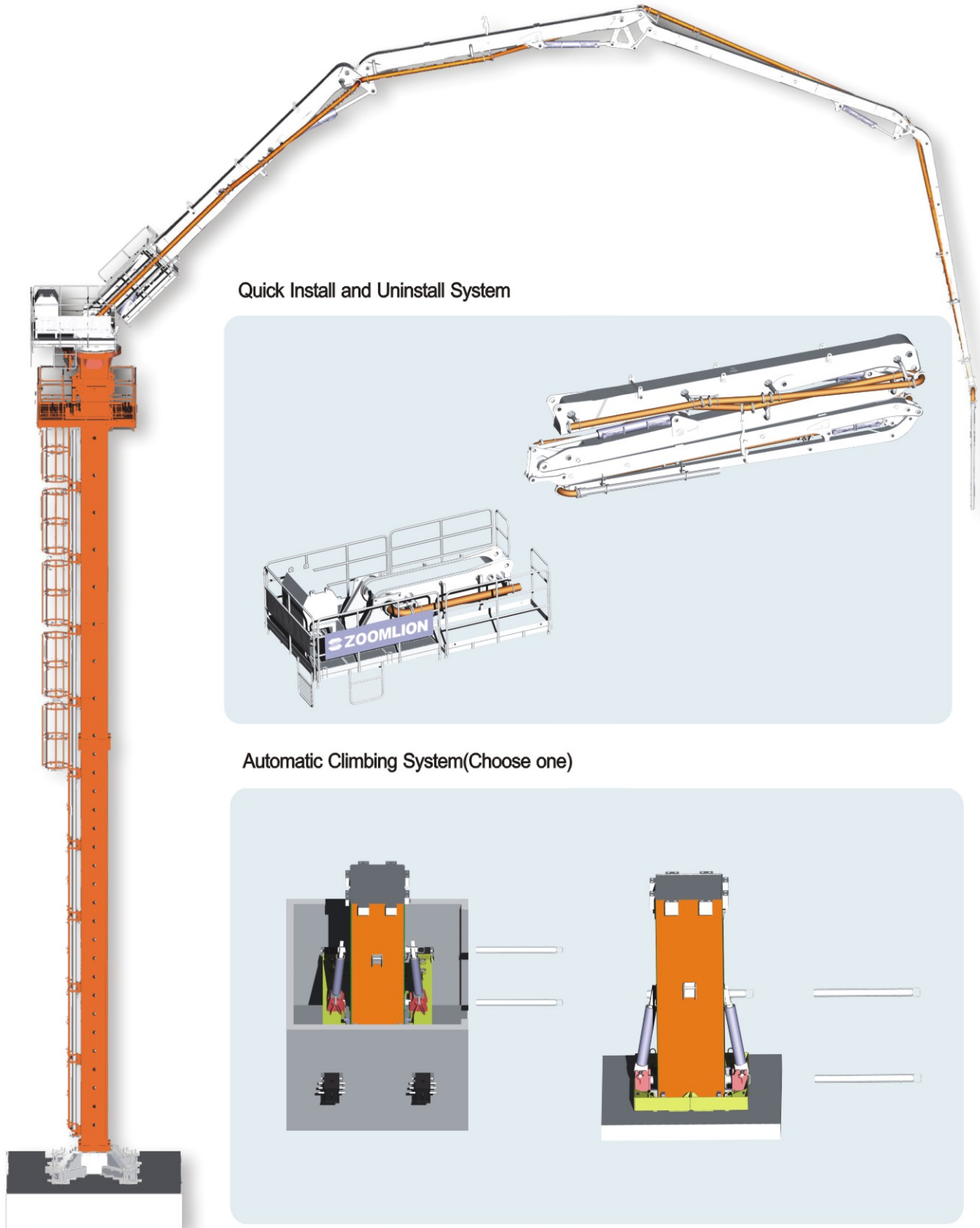
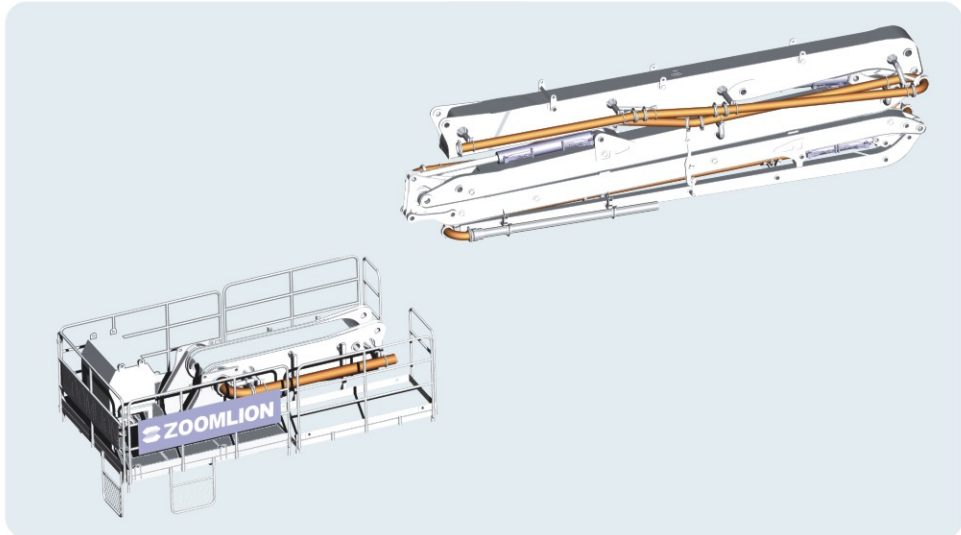


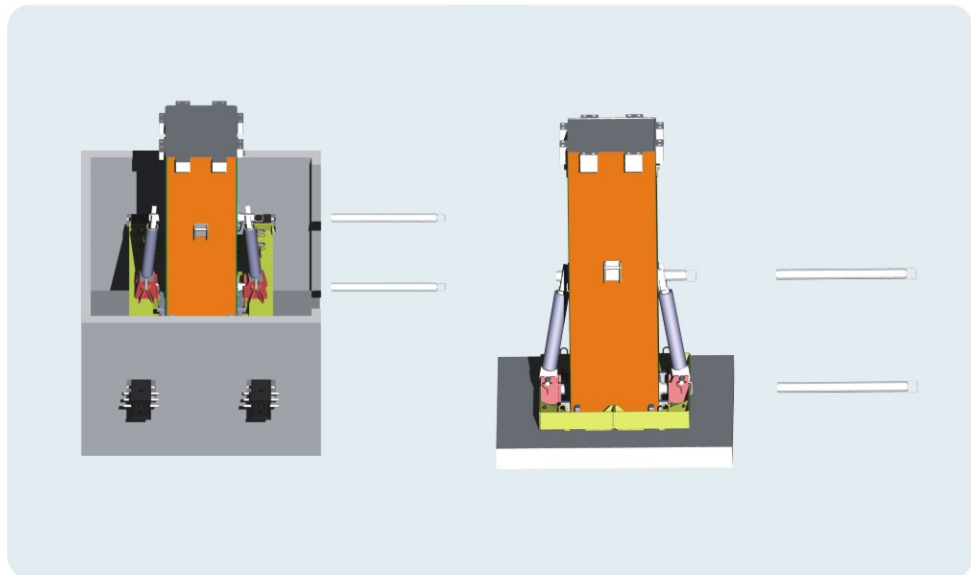
HGC33A



Quick Install and Uninstall System



Automatic Climbing System(Choose one)

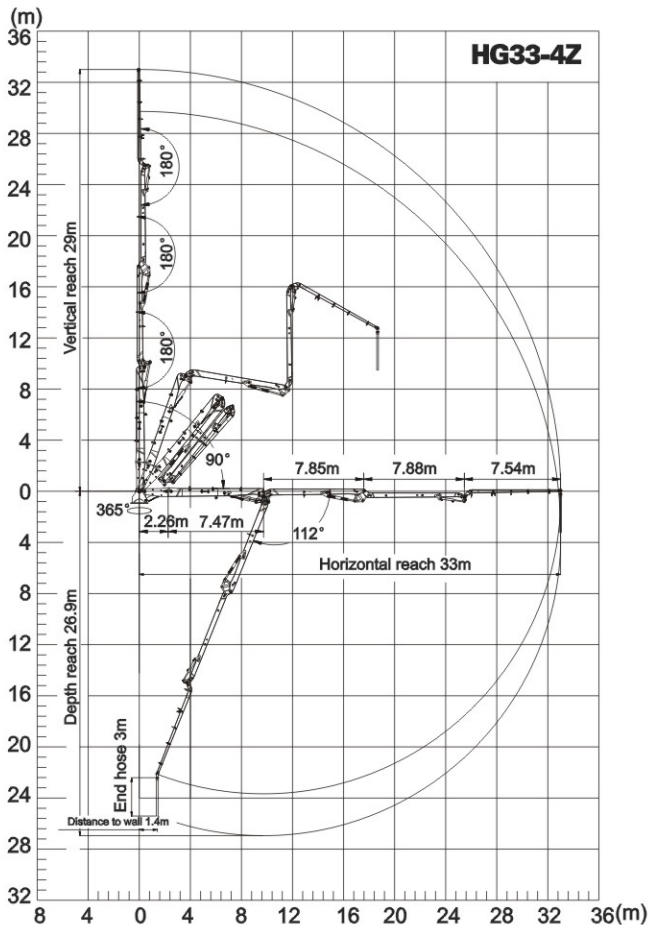


HGC33A

Main Features

ZOOMLION concrete placing boom provides professional solutions for high buildings and large-scale constructions.

- Wide application: HGC33A used in free standing or inner climbing to meet various jobsites.
- Precise control and high reliability: HGC33A is based on ZOOMLION boom design and tower crane design technology, ensuring stable performance of machine. Control of all boom functions and the climbing device via remote control. Electronic-hydraulic proportional control technology enables precise control and convenient operations.
- Flexible and quick setup: with humanized design philosophy, we take every details into consideration to facilitate quick and convenient install and uninstall of the machine.
- Easy climbing operation: climbing is carried out simply and quickly by two lifting cylinders in a convenient method with the help of the hydraulics of the boom unit.
- HGC33A electro-hydraulic proportional directional valve is from German HAWE Company in hydraulic system, which can make several executive components work in the same time. It is with infinite speed variation, the running speed is no relation with the load. All can reduce the concussion of inverting, turning on and closing for inverting valves. So the boom can work more steadily.



Technical data

Vertical reach	33m
Horizontal reach	33m
Depth of reach	26.9m
Free standing height	24m
Arms	4
Folding system	Z
Rotation range	365°
Pipeline	Φ 133 × 4
End hose length	3m
Control mode	Remote
Column mode	0.75m × 0.75m
Climbing mode	Two lifting cylinder
Power input	22kW
Power supply	380V/50HZ
The heaviest single part	5700KG

Technical data and characteristic subject to modifications without notice