

## ES Series 460 Ice Cube Machine

Model  ES0462A-251  ES0463W-251



ES-460 Ice Machine  
on E-400 Bin

- Up to 472 lbs. (214kgs.) daily ice production
- Only 30" (76.20) wide
- Removable water distributor tube, water pump and water trough with no tools, easy to clean and maintain
- Food zone designed with soft, round, cove corners
- Food zone is isolated outside with the foaming, energy saving
- The secure isolated control box is easily accessible from the front and removes electricity outside of the food zone, improving overall safety and reliability

### Specifications

**BTU Per Hour:**  
7,000 (average), 9,600 (peak)

**Compressor:**  
Nominal rating: 3/4 HP

**Refrigerant:**  
R-404 CFC-free

### Ice Machine Electric

220-240/50/1 standard

**Minimum circuit ampacity:**

6.7 amps

**Maximum fuse size:**

15 amps

HACR-type circuit breakers can be used  
in place of fuses

### Operating Limits:

• Ambient Temperature Range:  
10°C to 40°C

• Water Temperature Range:  
10°C to 32°C

• Water Pressure Ice Maker  
Water In:  
Min. 20 psi (1.38bar)  
Max. 80 psi (5.52bar)

### Cube Size Available



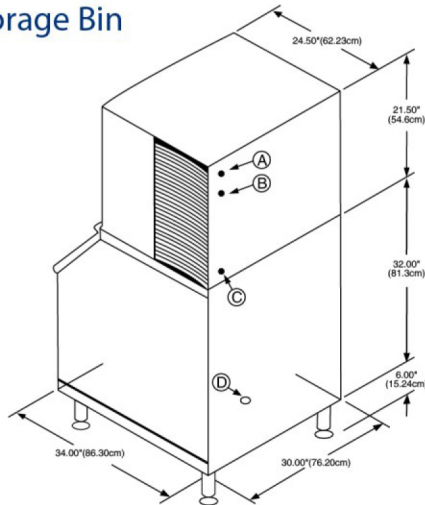
### Dice

7/8" X 7/8" X 7/8"

2.22 X 2.22 X 2.22 (cm)



## ES460 on E400 Storage Bin



- (A) Electrical Entrance
- (B) 3/4" (1.91 cm) N.P.T. Ice Making Water Inlet
- (C) 1/2" (1.27 cm) F.P.T. Ice Making Water Drain
- (D) 3/4" (1.91 cm) Bin Drain

*Installation Note - Minimum installation clearance:  
Top/sides: 8" (20.32 cm), back: 5" (12.70 cm).*

### Space-Saving Designs



	ES460 E400	ES460 E570
Height	59.50" 151.14 cm	71.50" 181.61 cm
Width	30.00" 76.20 cm	30.00" 76.20 cm
Depth	34.00" 86.30 cm	35.00" 88.90 cm
Bin Storage	290 lbs. 131.7 kgs.	430 lbs. 195.2 kgs.

*Height includes adjustable bin legs 6.00" to 7.00"  
(15.24 cm to 17.78 cm) set at 6.00" (15.24 cm).*

### 24 - Hour Production

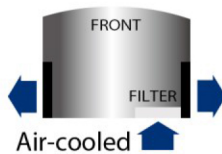
#### Air-Cooled Units

Air temp °C	Water temp			
	10°	15°	21°	32°
10°	214			
21°	206			
25°	185			
27°	179			
32°	148		149	135
40°				111

Model	Ice Shape	Ice Production 24 Hours		Power Usage KWH/100lbs. @32°C Air/21°C	Water Usage /100lbs. of ice
		21°C Air/10°C Water	32°C Air/21°C Water		
ES0462A-251	dice	454 lbs.	328 lbs.	6.85	58.7 L
		206 kgs.	149 kgs.		
ES0463W-251	dice	468 lbs.	412 lbs.	4.99	55.04 L
		212 kgs.	187 kgs.		

Order ice storage bin separately.

#### Air Flow Top View



#### Attempts to prevent the piston



Drain with a cover to avoid ice block

#### Easy to assemble sink



Removable water trough with no tools

#### Easy to assemble the pump



The water pump is accessible from the front of the machine and easily removed