



M Series 420 Ice Cube Machine

Model: MD0420A-251B MY0420A-251B MD0420W-251B MY0420W-251B



M420 Ice Machine on A420V Bin

- Up to 176 kgs (389 lbs) daily ice production and only 22.00" (55.90 cm) wide
- R-410A CFC-free refrigerant
- Easy access to food zone with removal of two screws and lift-off door
- White plastics in the food zone help identify areas needing cleaning
- Water shield, distribution tube, pump, floats, and trough removable by hand
- Available CleanAir™ pack controls the growth of bacteria and fungi that form slime and cause odors in the food zone

Specifications

BTU Per Hour:
5,400 (average), 6,300 (peak)

Compressor:
Nominal Rating: 3/4 HP

Refrigerant:
R-410A

Operating Limits:

- Ambient Temperature Range: 1.7°C to 43.3°C

- Water Temperature Range: 1.7°C to 32.2°C

- Water Pressure Ice Maker Water In:
Min. 20 psi (137.9kPA)
Max. 80 psi (551.1kPA)



Ice Machine Electric

220-240/50/1 standard

Total Circuit Ampacity:

Air Cooled: 6.2A
Water Cooled: 5.8A

Maximun Fuse Size:

15A

HACR-type circuit breakers can be used in place of fuses

Cube Size Available



Half-dice
3/8" X 1 1/8" X 7/8"
(0.95 x 2.86 x 2.22 cm)



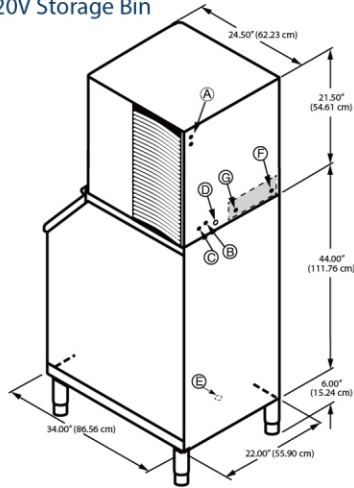
Dice
7/8" X 7/8" X 7/8"
2.22 X 2.22 X 2.22 (cm)





M Series 420 Ice Cube Machine

M420 on A420V Storage Bin



- (A) Electrical Entrance (2) Options
- (B) 3/8" (0.95 cm) F.P.T. Ice Making Water Inlet
- (C) 1/2" (1.27 cm) F.P.T. Ice Making Water Drain
- (D) 1/2" (1.27 cm) Auxillary Base Drain Socket
- (E) 3/4" (1.91 cm) Bin Drain
- (F) 3/8" (0.95 cm) F.P.T. Water Condenser Inlet (water-cooled units)
- (G) 1/2" (1.27 cm) F.P.T. Water Condenser Outlet (water-cooled units)

*Installation Note - Minimum installation clearance:
 Top/sides: 8" (20.32 cm), back: 5" (12.70 cm).*

Space-Saving Designs



M420 A420V

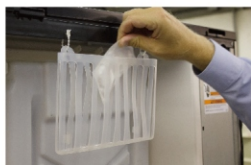
Height	71.50" 181.61cm
Width	22.00" 55.90 cm
Depth	34.00" 86.56 cm
Bin Storage	310 lbs 141 kg

*Height includes adjustable bin legs 6.00" to 7.00"
 (15.24 cm to 17.78 cm) set at 6.00" (15.24 cm).*

Model	Ice Shape	Ice Production 24 Hours		Power Usage kWh/100 lbs. @90°Air/70°F	Water Usage 100 lbs. 45.4 kgs. of Ice
		70°Air/ 50°F Water	90°Air/ 70°F Water		
MD0420A-251B	dice	176 kg	132 kg	6.65	75.7
		389 lbs	305 lbs		
MY0420A-251B	half-dice	166 kg	141 kg	6.00	75.7
		365 lbs	310 lbs		
MD0420W-251B	dice	175 kg	156 kg	5.00	75.7
		385 lbs	343 lbs		
MY0420W-251B	half-dice	171 kg	153 kg	5.00	75.7
		378 lbs	337 lbs		

Order ice storage bin separately. Suffix of model "A" means air cooled condenser , Suffix of model "W" means water cooled condenser.

CleanAir™ Pack Slime Inhibitor



CleanAir™ Pack Accessory is patented technology that releases chlorine dioxide on a controlled basis to inhibit the growth of bacteria and fungi that form slime and cause odors in the food zone ice machines.

Easy Access to Parts of Water System



Water shield, distribution tube, pump, floats, and trough removable by hand

Easy Access to Air Filter



Easy to clean, reusable air filter protects condenser from lint, grease and dust.